



(12) **United States Design Patent**
Donohue

(10) **Patent No.:** **US D789,644 S**
(45) **Date of Patent:** **** Jun. 13, 2017**

(54) **VEHICLE STANCHION LOADING WITH A MOUNTING BRACKET**

(71) Applicant: **James P Donohue**, Dayton, OH (US)

(72) Inventor: **James P Donohue**, Dayton, OH (US)

(**) Term: **14 Years**

(21) Appl. No.: **29/516,020**

(22) Filed: **Jan. 28, 2015**

(51) **LOC (10) Cl.** **12-05**

(52) **U.S. Cl.**
USPC **D34/35**

(58) **Field of Classification Search**
USPC D34/28, 33, 35; D12/400, 106, 406, 408,
D12/162, 223, 159, 160
CPC B60P 1/6454; B60P 1/48; B60P 1/4427;
B60P 3/122; B60P 3/107; B60D 1/065;
B60D 1/00; B60D 1/60; B60D 1/06
See application file for complete search history.

(56) **References Cited**

U.S. PATENT DOCUMENTS

| | | | | | |
|-----------|------|---------|--------------|-------|------------------------|
| 3,733,051 | A * | 5/1973 | Bollinger | | B60S 9/04 254/94 |
| D300,815 | S * | 4/1989 | Chambers | | D12/162 |
| 5,511,929 | A * | 4/1996 | Loftus | | B60P 1/5423 212/180 |
| D373,886 | S * | 9/1996 | McCloud, Jr. | | D34/33 |
| D390,094 | S * | 2/1998 | Pamplin | | D12/400 |
| D396,669 | S * | 8/1998 | Wilson | | D12/106 |
| 6,155,587 | A * | 12/2000 | Milazzo | | B60D 1/06 280/457 |
| 7,392,975 | B2 * | 7/2008 | Nespor | | B60P 3/07 242/397 |

| | | | | | |
|--------------|------|---------|----------------|-------|----------------------|
| D622,472 | S * | 8/2010 | Hancock | | D34/33 |
| 7,997,850 | B2 * | 8/2011 | Hutchison | | B60P 3/07 414/478 |
| D664,322 | S * | 7/2012 | Peng | | D34/33 |
| 8,985,934 | B1 * | 3/2015 | Jennison | | E02F 3/962 37/403 |
| D741,039 | S * | 10/2015 | Huang | | D34/33 |
| D744,379 | S * | 12/2015 | Penner | | D12/106 |
| D748,538 | S * | 2/2016 | Waldner | | D12/162 |
| D759,336 | S * | 6/2016 | Piispanen | | D34/33 |
| 2008/0219828 | A1 * | 9/2008 | Schuettensberg | | B60D 1/00 414/800 |
| 2009/0139801 | A1 * | 6/2009 | Friesen | | B66F 9/12 187/237 |

* cited by examiner

Primary Examiner — Cynthia Ramirez

(74) *Attorney, Agent, or Firm* — Gerald R. Black, Esq.

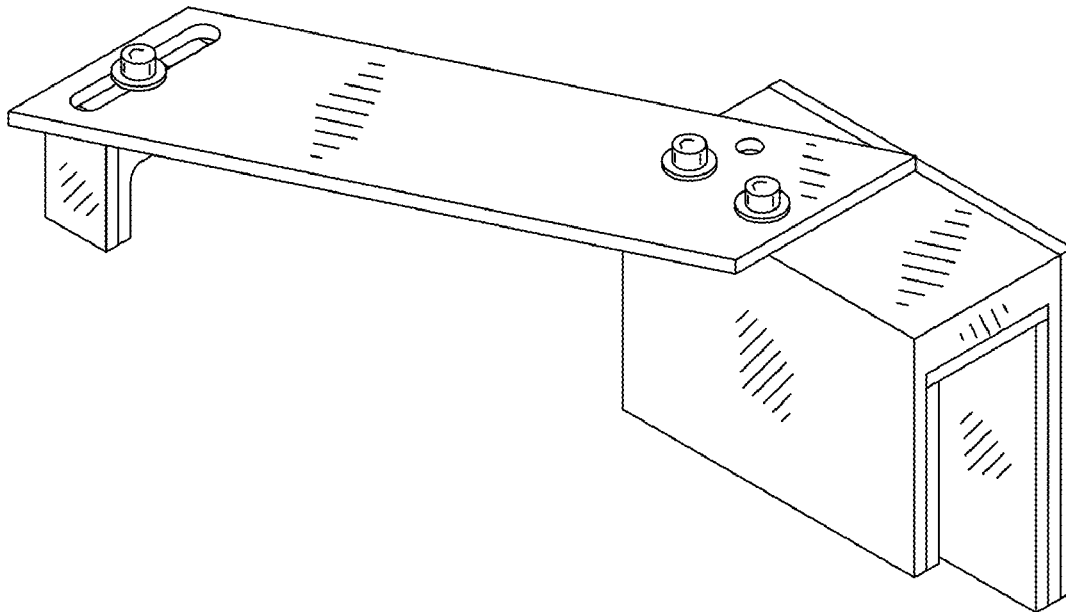
(57) **CLAIM**

The ornamental design for a vehicle stanchion loading with a mounting bracket, as shown and described.

DESCRIPTION

FIG. 1 is a perspective view of a vehicle stanchion for loading with mounting bracket showing my new design; FIG. 2 is another perspective view thereof; FIG. 3 is a top view thereof; FIG. 4 is a bottom view thereof; FIG. 5 is a left side view thereof; FIG. 6 is a front view thereof; FIG. 7 is a right side view thereof; and, FIG. 8 is a rear view thereof. The broken line showing in FIG. 2 is included for the purpose of illustrating environment and forms no part of the claimed design.

1 Claim, 8 Drawing Sheets



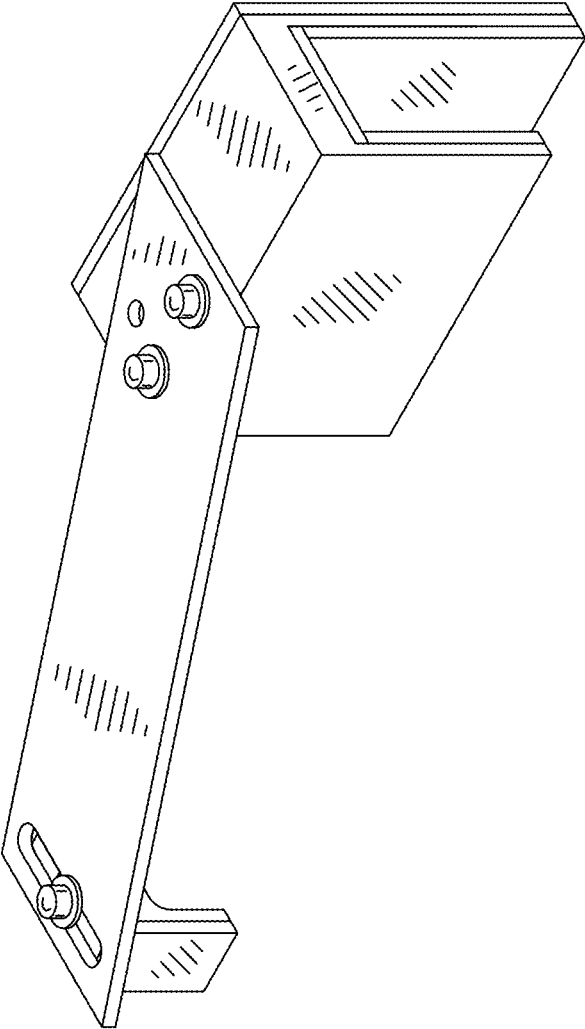


FIGURE 1

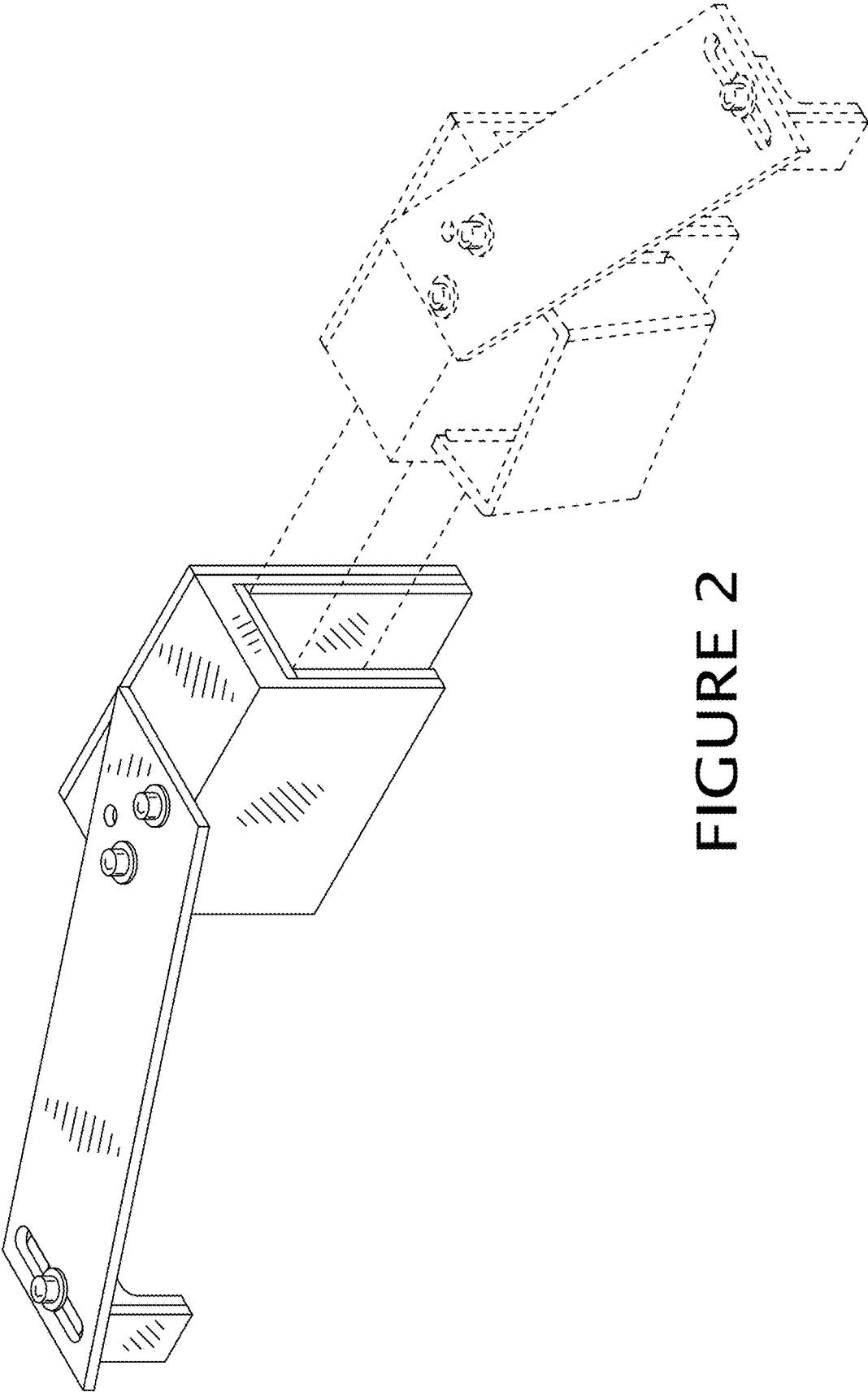


FIGURE 2

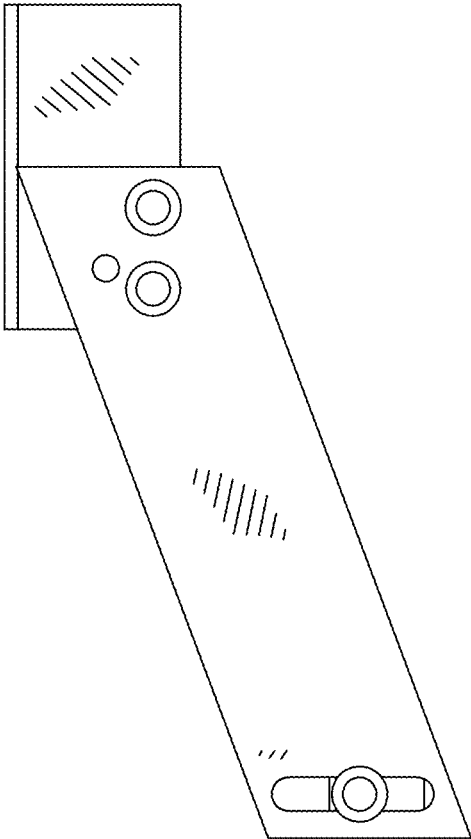


FIGURE 3

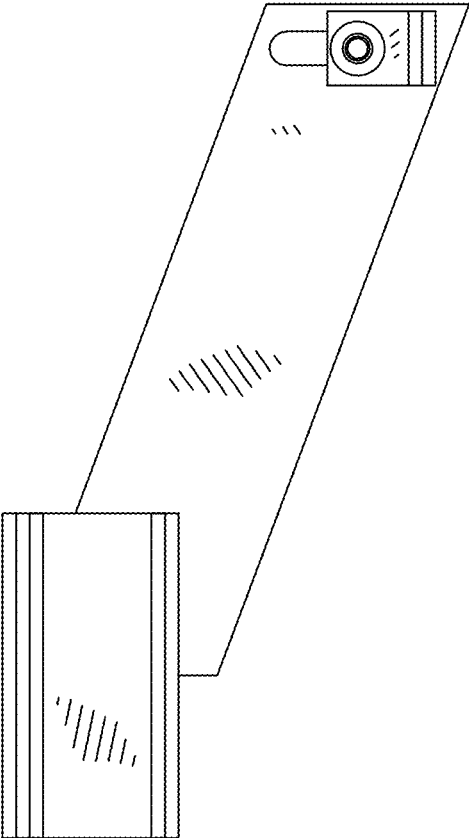


FIGURE 4

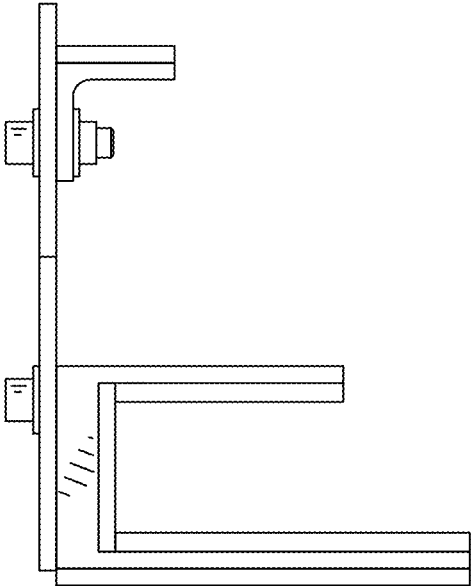


FIGURE 5

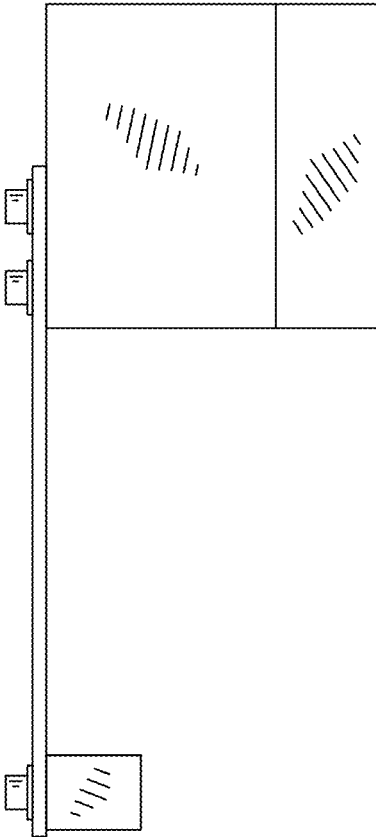


FIGURE 6

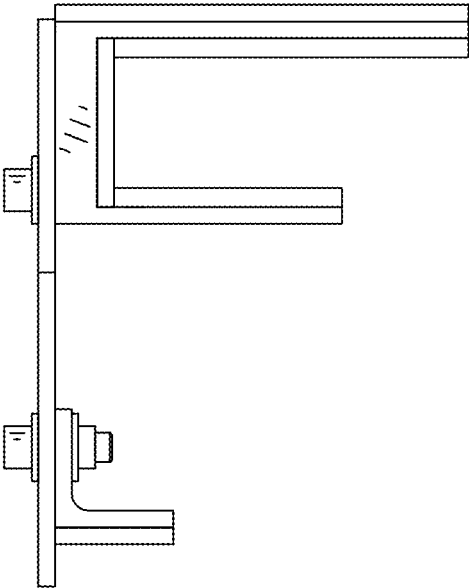


FIGURE 7

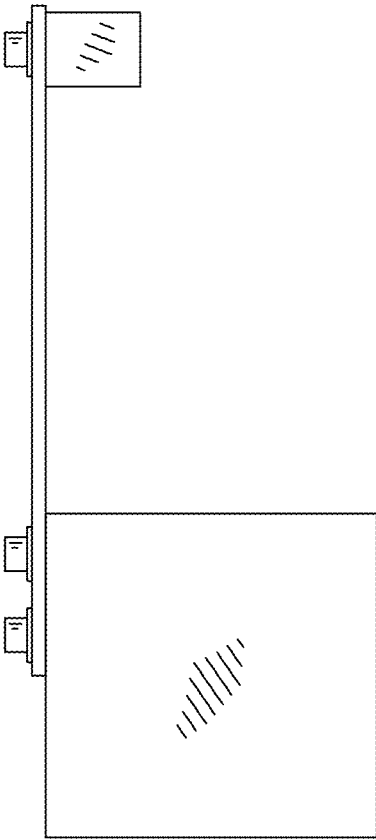


FIGURE 8