

(21) Application No: **1221295.7**

(22) Date of Filing: **09.05.2011**

Date Lodged: **27.11.2012**

(30) Priority Data:  
 (31) **12784427** (32) **20.05.2010** (33) **US**

(86) International Application Data:  
**PCT/EP2011/057398 En 09.05.2011**

(87) International Publication Data:  
**WO2011/144477 En 24.11.2011**

(51) INT CL:  
**G06F 3/06** (2006.01)

(56) Documents Cited by ISA:  
**EP 1679585 A2 WO 2007/089502 A1**  
**US 20090052311 A1 US 20020147862 A1**  
**DIRK MEISTER ET AL: "dedupv1: Improving deduplication throughput using solid state drives (SSD)", MASS STORAGE SYSTEMS AND TECHNOLOGIES (MSST), 2010 IEEE 26TH SYMPOSIUM ON, IEEE, PISCATAWAY, NJ, USA, 3 May 2010 (2010-05-03), pages 1-6, XP031698670, ISBN: 978-1-4244-7152-2; the whole document.**

(58) Field of Search by ISA:  
 INT CL **G06F, G11B**  
 Other: **EPO-Internal; WPI Data**

(71) Applicant(s):  
**International Business Machines Corporation**  
**(Incorporated in USA - New York)**  
**New Orchard Road, Armonk, New York 10504,**  
**United States of America**

(72) Inventor(s):  
**David Montgomery**

(74) Agent and/or Address for Service:  
**IBM United Kingdom Limited**  
**Intellectual Property Law, Hursley Park,**  
**WINCHESTER, Hampshire, SO21 2JN,**  
**United Kingdom**

(54) Title of the Invention: **Managing write operations to an extent of tracks migrated between storage devices**  
 Abstract Title: **Managing write operations to an extent of tracks migrated between storage devices**

(57) Provided are a computer program product, system, and method for managing write operations to an extent of tracks migrated between storage devices. An operation is processed to migrate an extent of tracks from the second storage to the first storage. A determination is made as to whether an extent object exists for the extent to migrate. The extent object exists if the extent was previously migrated from the first storage to the second storage at a previous time. The extent object comprises for each track a write indicator indicating whether the track was updated in the second storage since the previous time when the extent was previously migrated to the second storage. In response to determining that the extent object exists, a determination is made of the tracks in the extent having the write indicator indicating that the track was updated in the second storage since the previous time. The data for the determined tracks is copied from the second storage to free locations in the first storage. For each determined track, the entry for the determined track in the extent object is updated to indicate the free location to which the data for the track was copied as an active address for the track.

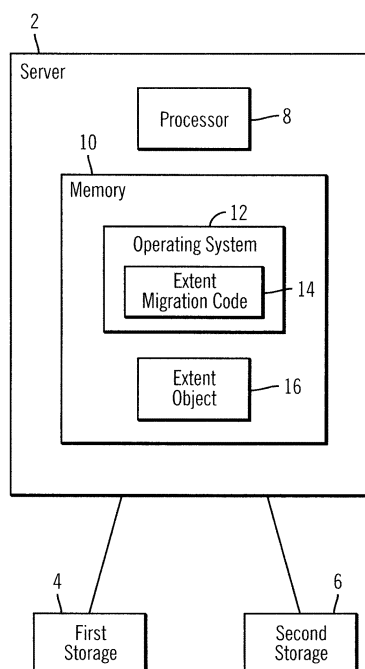


FIG. 1