



US00D916337S

(12) **United States Design Patent**
Yang

(10) **Patent No.:** **US D916,337 S**

(45) **Date of Patent:** **** Apr. 13, 2021**

- (54) **VEHICLE HEADLIGHT**
- (71) Applicant: **SONAR AUTO PARTS CO., LTD.,**
New Taipei (TW)
- (72) Inventor: **Hsiu-Pen Yang,** New Taipei (TW)
- (73) Assignee: **SONAR AUTO PARTS CO., LTD.,**
New Taipei (TW)
- (**) Term: **15 Years**
- (21) Appl. No.: **29/724,998**
- (22) Filed: **Feb. 21, 2020**
- (51) **LOC (13) Cl.** **26-06**
- (52) **U.S. Cl.**
USPC **D26/28**
- (58) **Field of Classification Search**
USPC D26/28, 29, 30, 31, 32, 33, 34, 35, 36,
D26/44
CPC F21S 48/00; F21S 48/10; F21S 48/115;
F21S 48/225; F21S 48/1233; F21S
48/1266; F21S 48/1388; F21S 48/2268;
F21V 21/04; F21W 2103/35; F21W 3/40;
F21W 2102/17; F21W 2102/30; F21W
2103/00; F21W 2103/55; F21W 2104/00;
F21W 2107/17; F21W 2107/13
See application file for complete search history.

D869,700 S *	12/2019	Lin	D26/28
D870,935 S *	12/2019	Wu	D26/28
D874,039 S *	1/2020	He	D26/28
D874,696 S *	2/2020	He	D26/28
D878,646 S *	3/2020	He	D26/28
D882,133 S *	4/2020	Wu	D26/28
D888,298 S *	6/2020	Wu	D26/28
D890,385 S *	7/2020	Yang	D26/28
D890,388 S *	7/2020	Wu	D26/28
D905,301 S *	12/2020	Wu	D26/28

* cited by examiner

Primary Examiner — Angela J Lee
(74) *Attorney, Agent, or Firm* — Li & Cai Intellectual
Property Office

(57) **CLAIM**

The ornamental design for a vehicle headlight, as shown and described.

DESCRIPTION

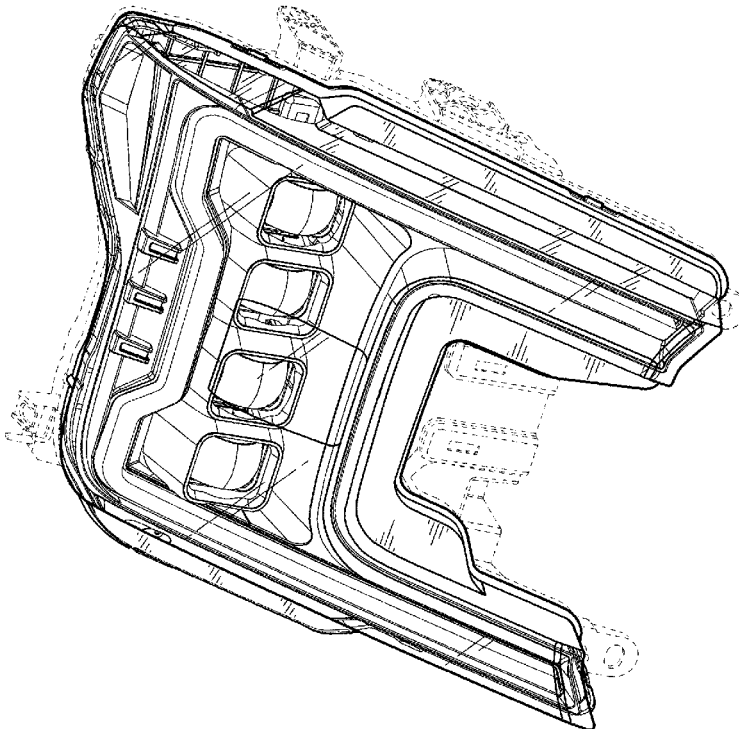
FIG. 1 is a front, top and left perspective view of a vehicle headlight showing my new design;
FIG. 2 is a front elevational view thereof;
FIG. 3 is a rear elevational view thereof;
FIG. 4 is a left side elevational view thereof;
FIG. 5 is a right side elevational view thereof;
FIG. 6 is a top plan view thereof; and,
FIG. 7 is a bottom plan view thereof.
The broken lines in the drawing depict portions of the vehicle headlight that form no part of the claimed design.

(56) **References Cited**

U.S. PATENT DOCUMENTS

D863,622 S *	10/2019	Wu	D26/28
D869,022 S *	12/2019	Wu	D26/28

1 Claim, 7 Drawing Sheets



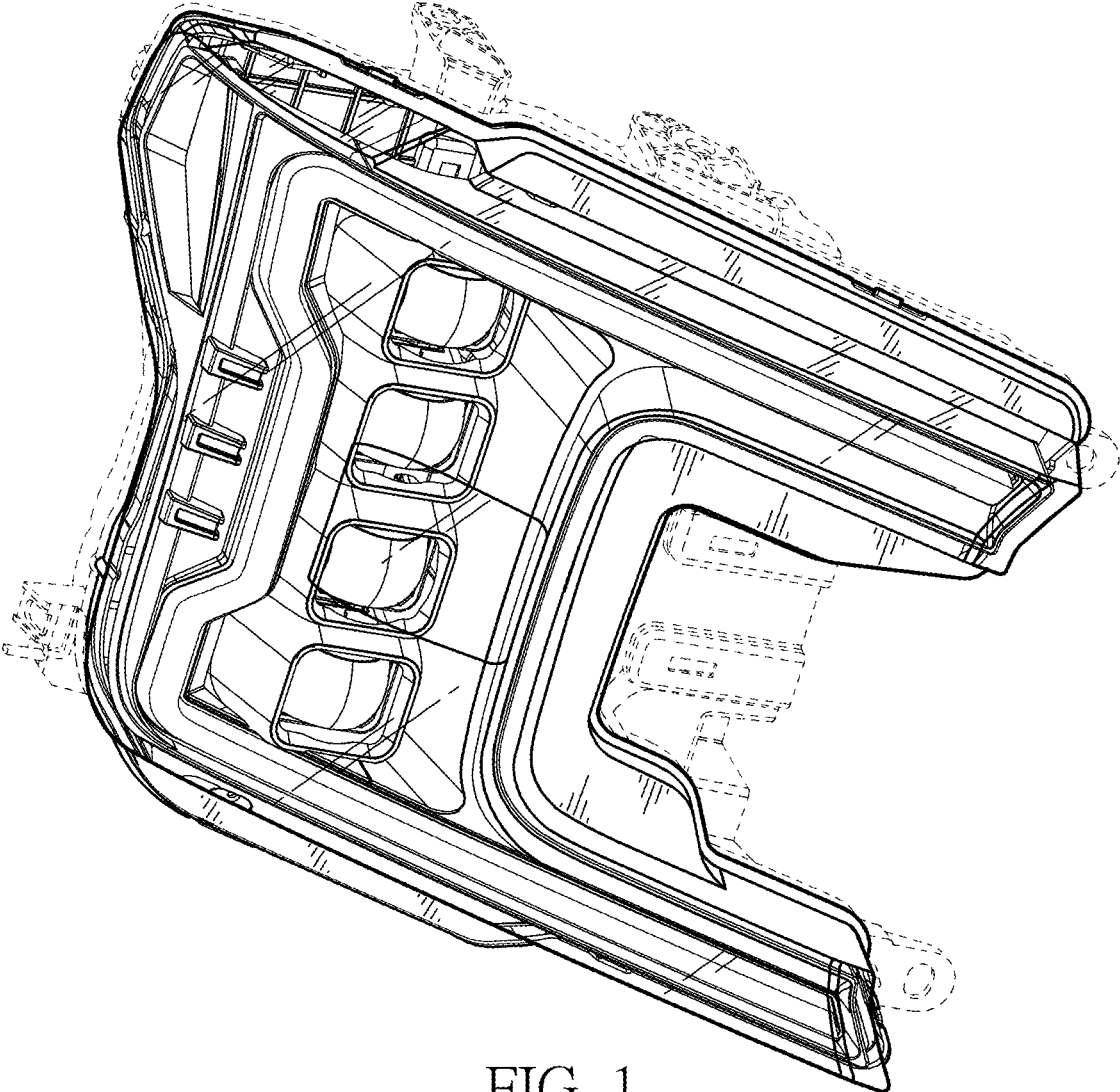


FIG. 1

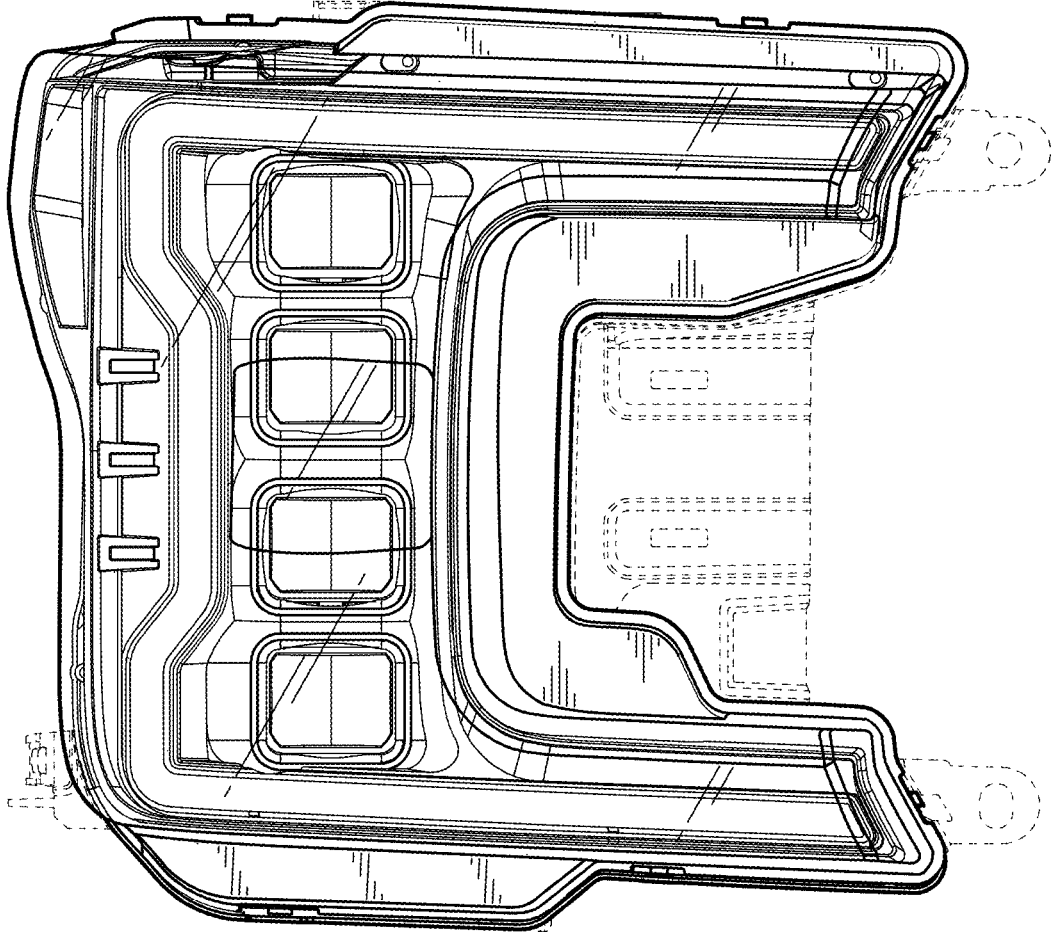


FIG. 2

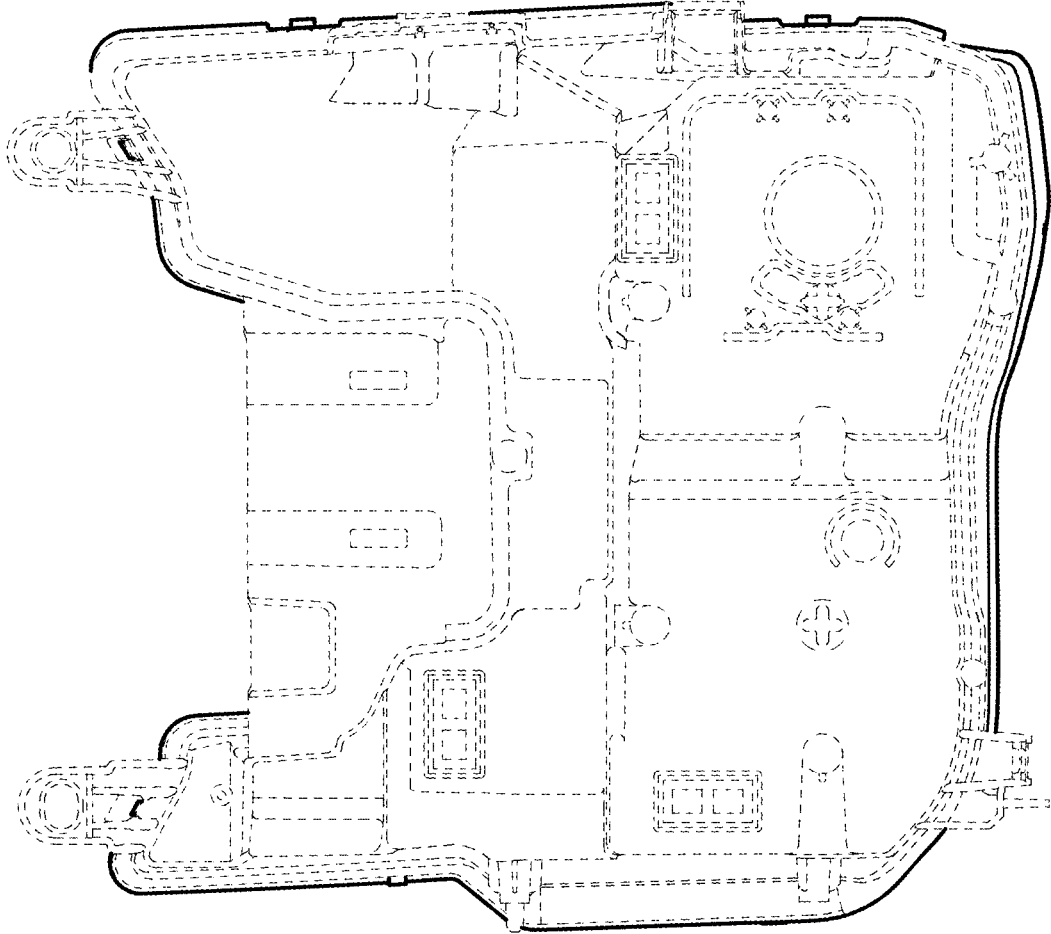


FIG. 3

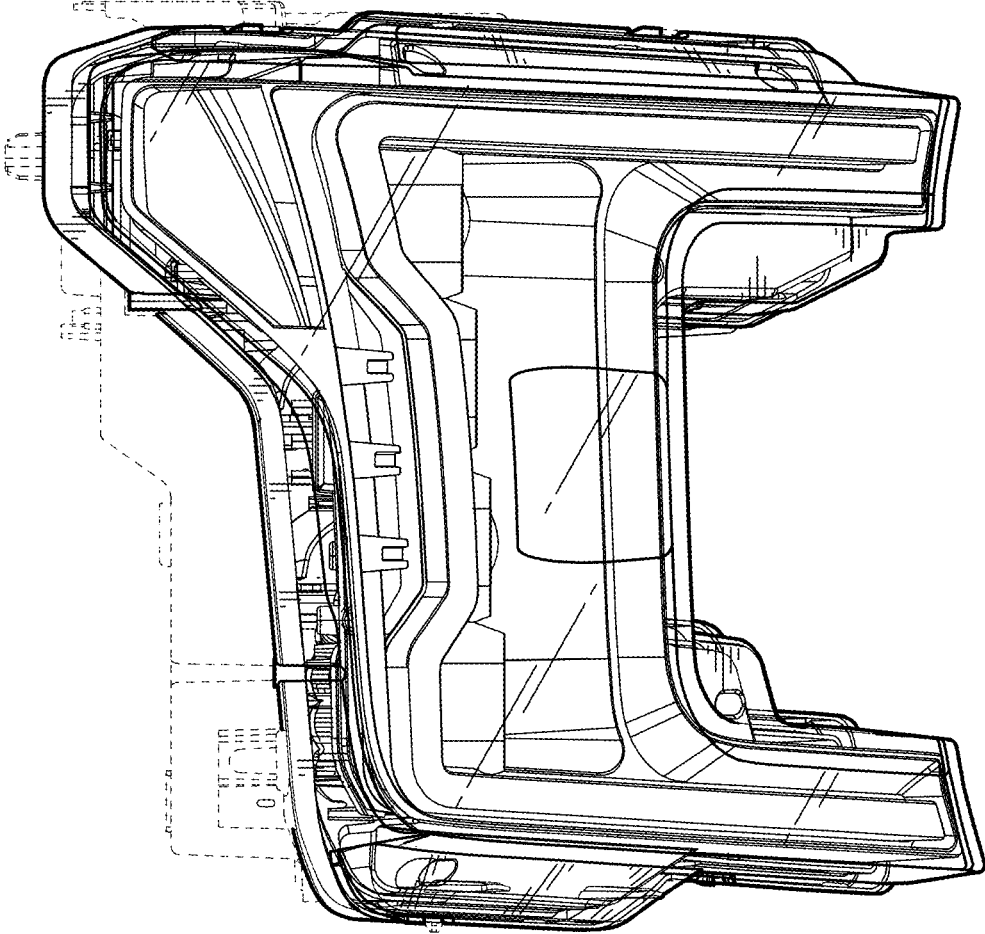


FIG. 4

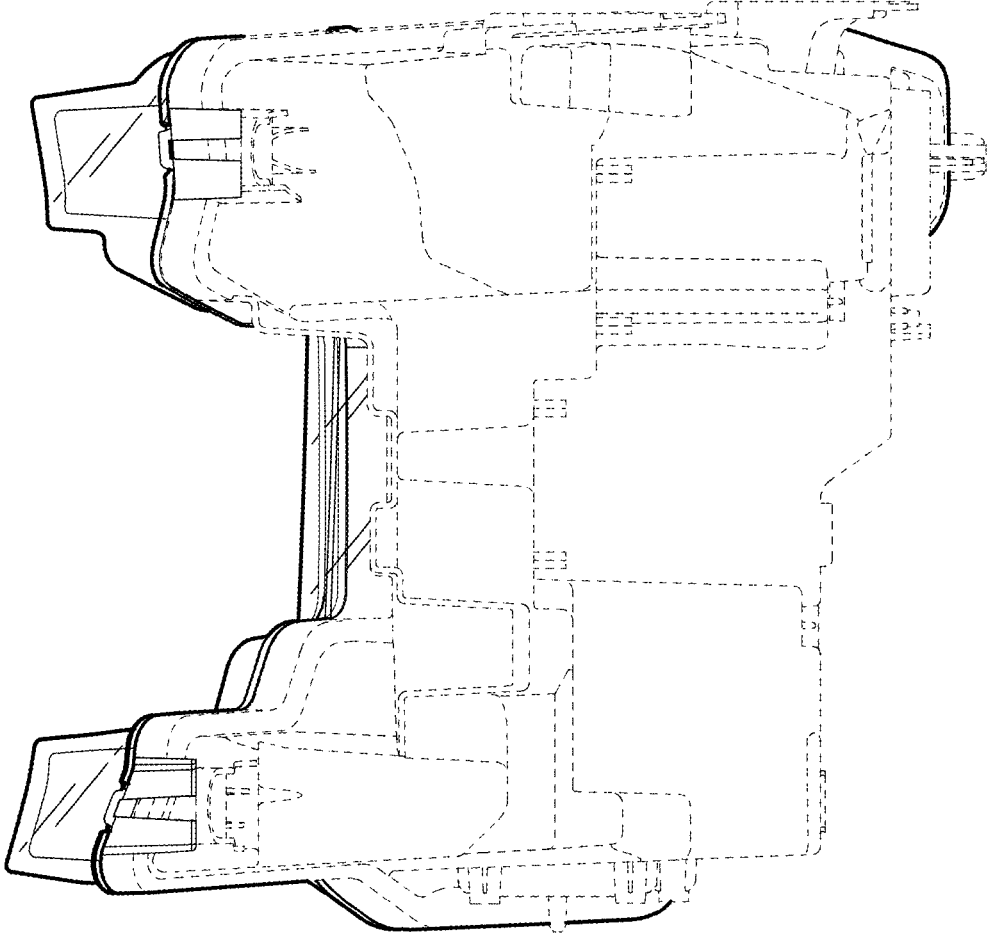


FIG. 5

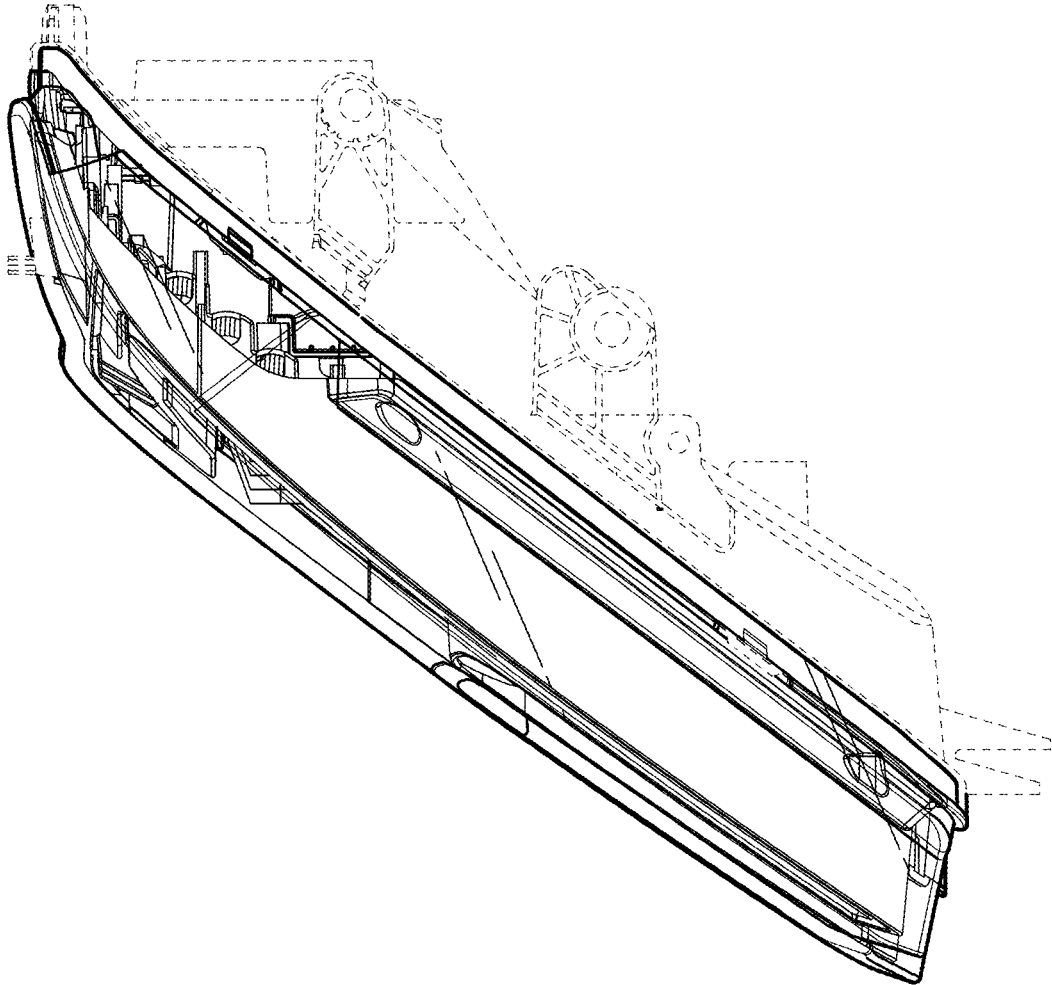


FIG. 6

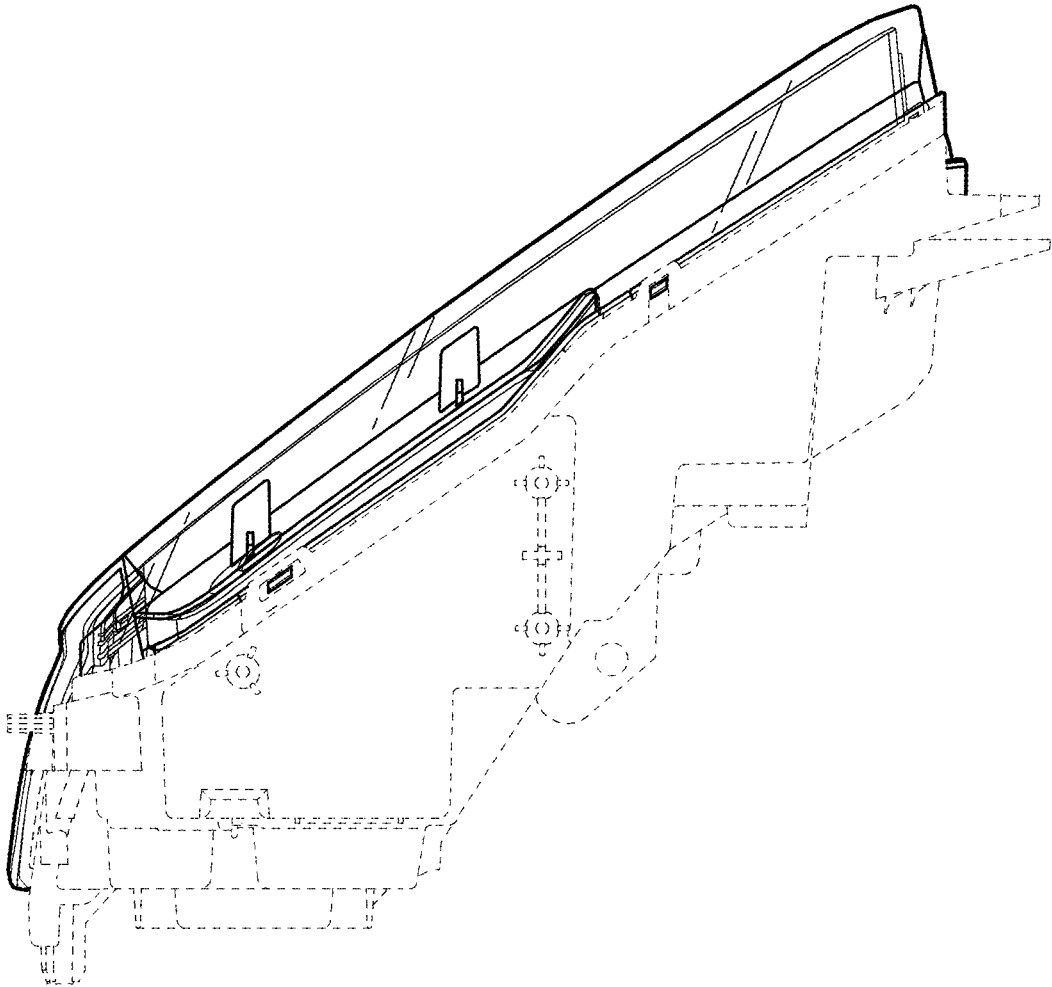


FIG. 7