



US00D522161S

(12) **United States Design Patent**
Copeland

(10) **Patent No.:** **US D522,161 S**

(45) **Date of Patent:** **** May 30, 2006**

(54) **DESK LAMP**

(75) Inventor: **Stephan Copeland**, Merion Station, PA (US)

(73) Assignee: **Knoll, Inc.**, East Greenville, PA (US)

(**) Term: **14 Years**

(21) Appl. No.: **29/224,524**

(22) Filed: **Mar. 3, 2005**

(51) **LOC (8) Cl.** **26-05**

(52) **U.S. Cl.** **D26/65**

(58) **Field of Classification Search** D26/60-65,
D26/93, 118, 107, 43, 51, 56; 362/269, 277,
362/278, 282, 285, 287, 288, 410, 413, 418-430,
362/449

See application file for complete search history.

(56) **References Cited**

U.S. PATENT DOCUMENTS

- D162,639 S * 3/1951 Fiori D26/60
- D174,508 S * 4/1955 Mehr D26/60
- D178,416 S * 7/1956 Mugnai D26/60

- D327,133 S * 6/1992 Copeland D26/65
- D345,027 S * 3/1994 Huang D26/65
- D439,358 S * 3/2001 Lin D26/65
- D467,378 S * 12/2002 Wang D26/65
- D469,201 S * 1/2003 De Bevilacqua D26/65
- D486,260 S * 2/2004 Christianson et al. D26/60

* cited by examiner

Primary Examiner—Clare E Heflin

(74) *Attorney, Agent, or Firm*—Buchanan Ingersoll PC

(57) **CLAIM**

The ornamental design for a desk lamp, as shown and described.

DESCRIPTION

FIG. 1 is a perspective view of a desk lamp showing my new design;

FIG. 2 is a left side elevational view thereof;

FIG. 3 is a right side elevational view thereof;

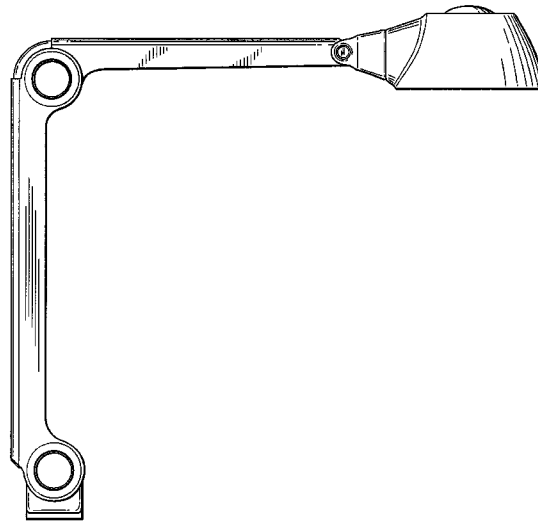
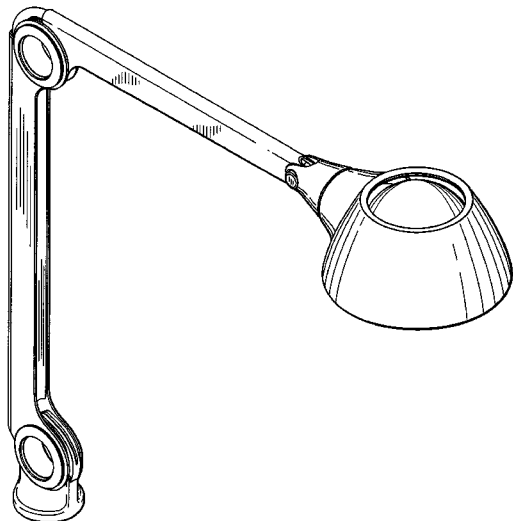
FIG. 4 is a front elevational view thereof;

FIG. 5 is a rear elevational view thereof;

FIG. 6 is a top plan view thereof; and,

FIG. 7 is a bottom plan view thereof.

1 Claim, 5 Drawing Sheets



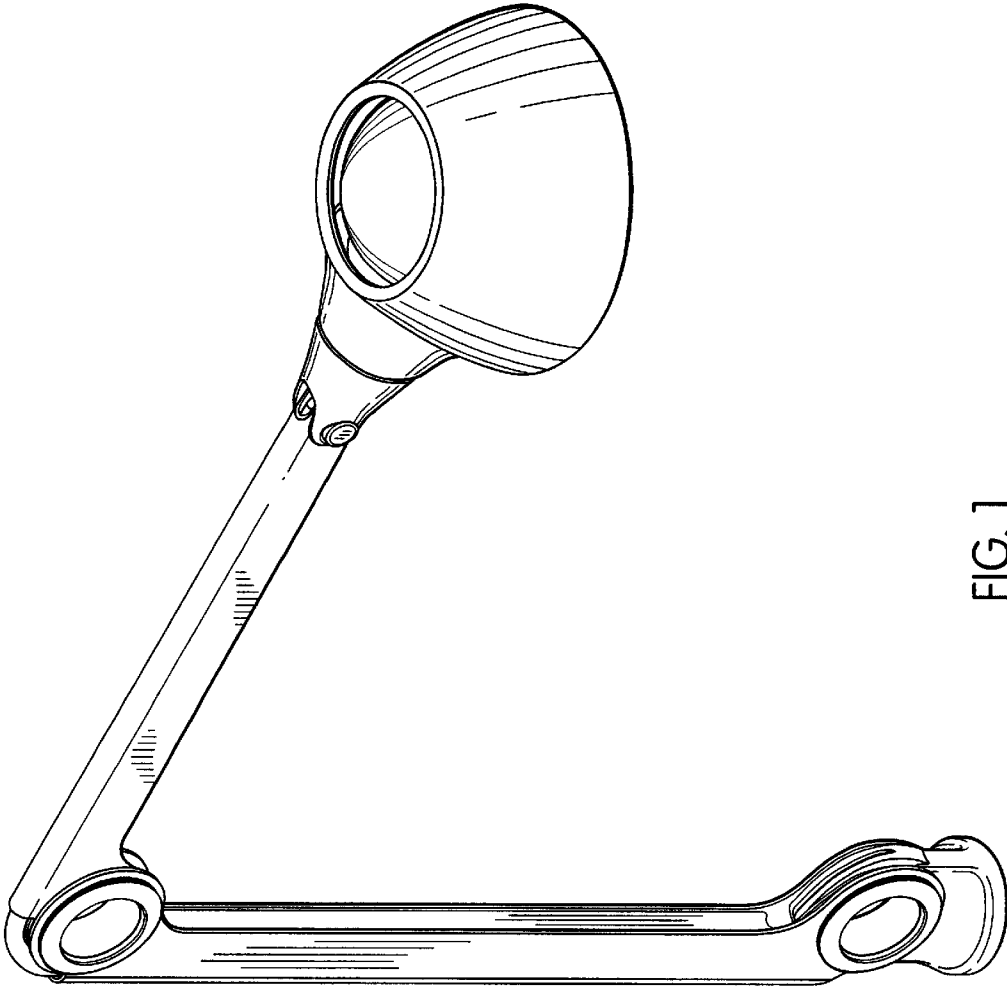


FIG. 1

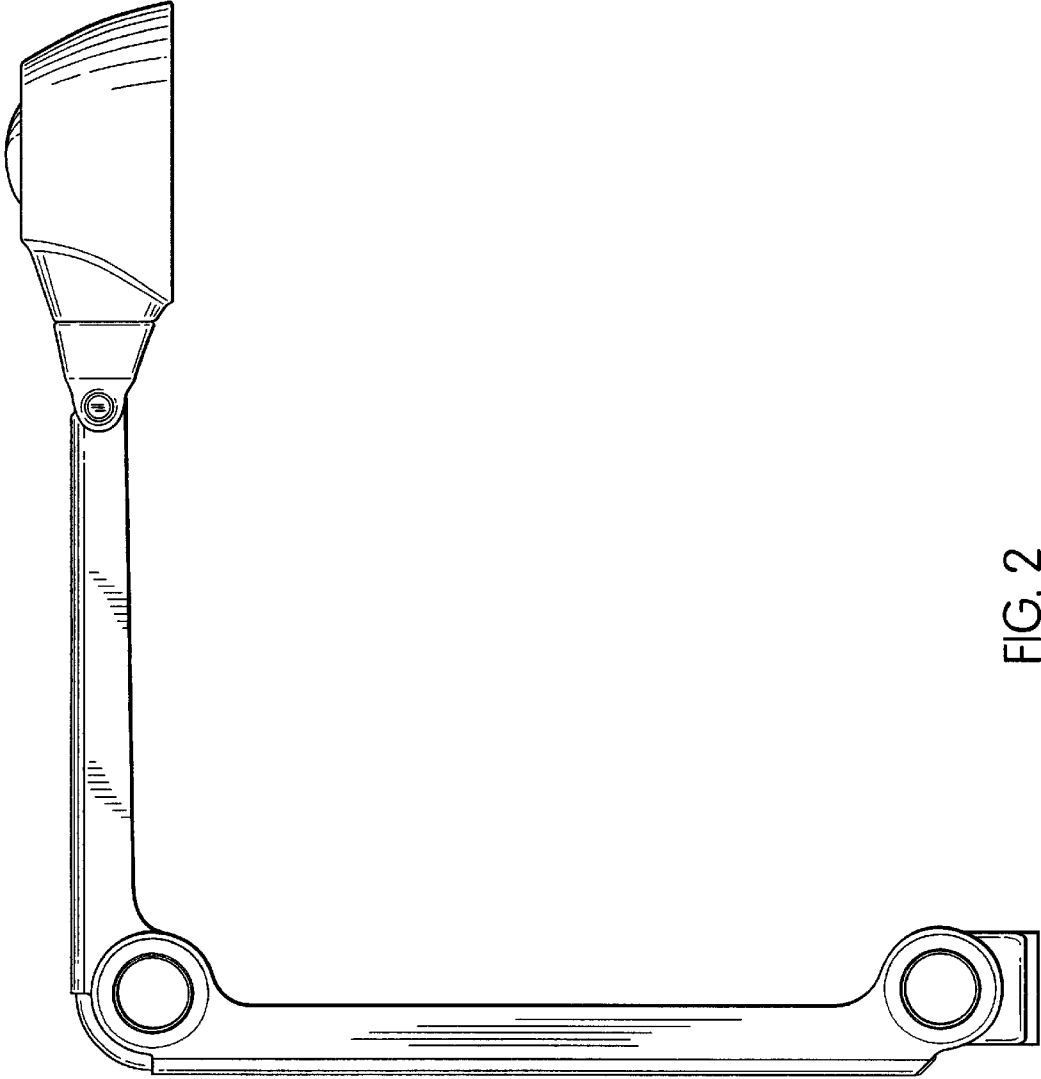


FIG. 2

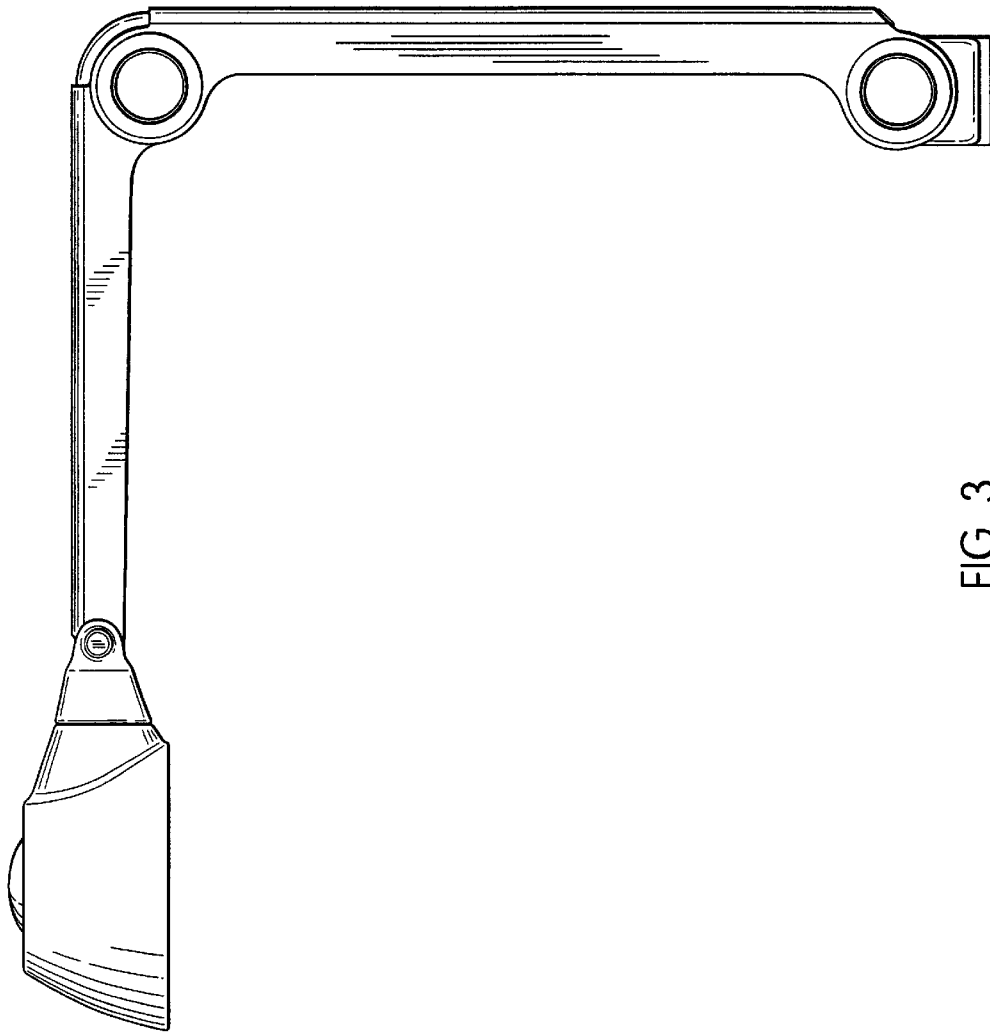


FIG. 3

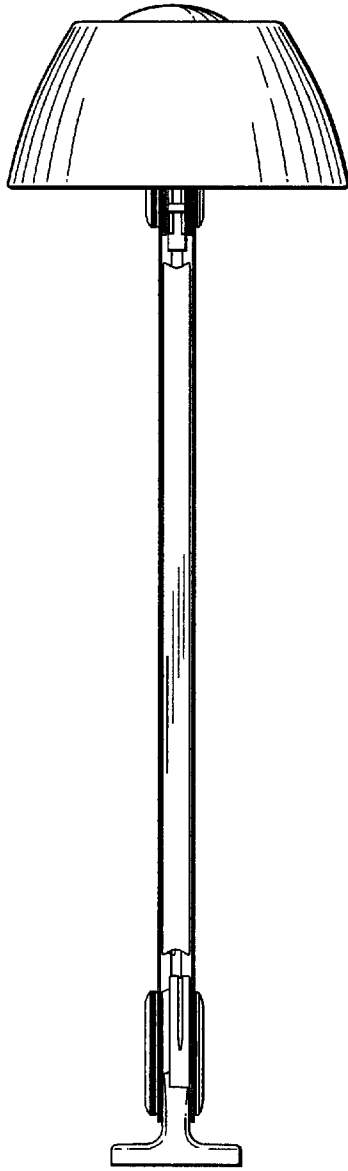


FIG. 4

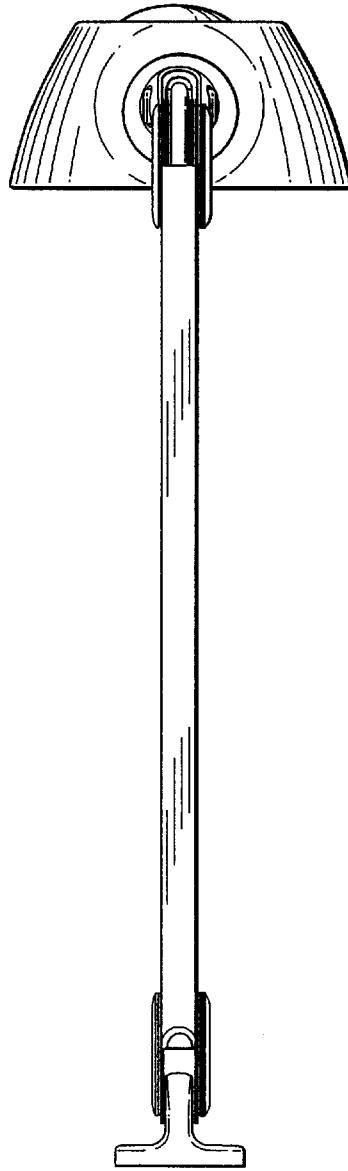


FIG. 5

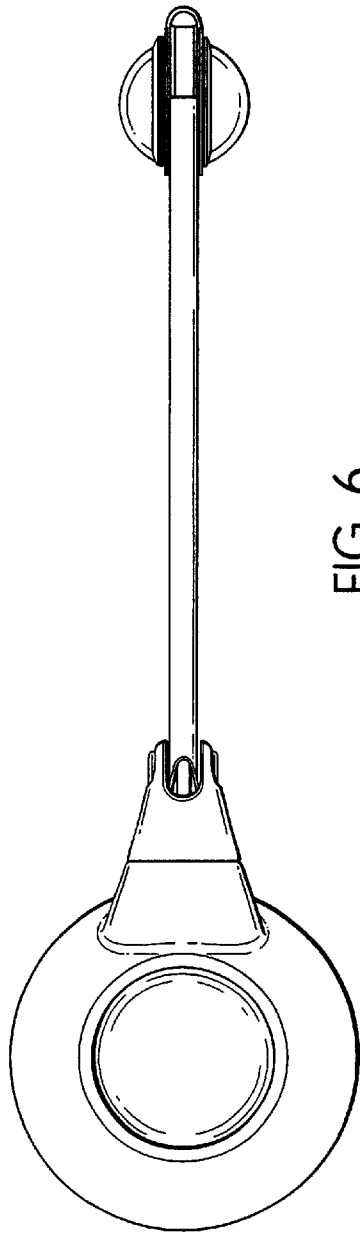


FIG. 6

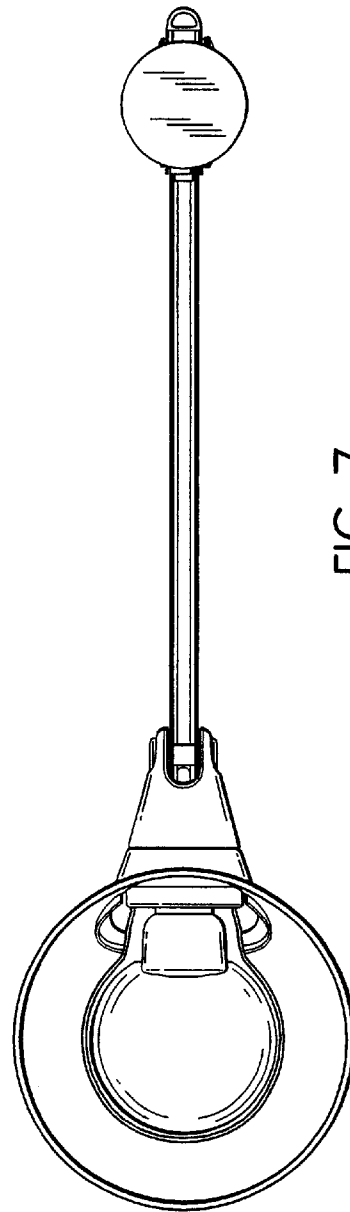


FIG. 7