



US00D950032S

(12) **United States Design Patent**
Liu et al.

(10) **Patent No.:** **US D950,032 S**
(45) **Date of Patent:** **** Apr. 26, 2022**

(54) **AIR PURIFIER**

(56) **References Cited**

(71) Applicant: **Airgle Corporation**, Holbrook, NY (US)

U.S. PATENT DOCUMENTS

(72) Inventors: **Xin Liu**, Guangdong (CN); **Zheng Liu**, Guangdong (CN); **Yong Xu**, Guangdong (CN); **Guanjun Long**, Guangdong (CN); **Lieqing Nie**, Guangdong (CN); **Shaoqi Shi**, Guangdong (CN)

D827,115	S	*	8/2018	Petersen	D23/333
D841,140	S	*	2/2019	Chen	D23/336
D870,256	S	*	12/2019	Chan	D23/364
D896,936	S	*	9/2020	Ou	D23/333
D900,986	S	*	11/2020	Chan	D23/335
D903,073	S	*	11/2020	Li	D23/333
D905,840	S	*	12/2020	Cao	D23/364
D912,796	S	*	3/2021	Huang	D23/364
D917,683	S	*	4/2021	Xie	D23/359
D918,365	S	*	5/2021	Li	D23/359
D918,366	S	*	5/2021	Li	D23/359
D919,780	S	*	5/2021	Li	D23/359
2020/0300531	A1	*	9/2020	Barlettano	F24F 13/28

(73) Assignee: **AIRGLE CORPORATION**

* cited by examiner

(**) Term: **15 Years**

Primary Examiner — David G Muller

(21) Appl. No.: **29/730,606**

(74) *Attorney, Agent, or Firm* — Leong C. Lei

(22) Filed: **Apr. 7, 2020**

(30) **Foreign Application Priority Data**

(57) **CLAIM**

Oct. 12, 2019 (CN) 201930556542.0

The ornamental design for an air purifier, as shown and described.

(51) **LOC (13) Cl.** **23-04**

DESCRIPTION

(52) **U.S. Cl.**

USPC **D23/364**

(58) **Field of Classification Search**

USPC D23/355–366, 352, 369, 332, 333, 335, D23/336, 342, 351; 422/120, 122;

FIG. 1 is a front perspective view of an air purifier showing our new design;

FIG. 2 is a front elevational view thereof;

FIG. 3 is a rear elevational view thereof;

FIG. 4 is a left side elevational view thereof;

FIG. 5 is a right side elevational view thereof;

FIG. 6 is a top plan view thereof; and,

FIG. 7 is a bottom plan view thereof.

The broken lines in the drawings illustrate portions of the air purifier which form no part of the claimed design.

55/356, 473, 504; 96/97; 261/DIG. 17, 261/DIG. 65, DIG. 88, DIG. 31

CPC .. A61L 9/16; A61L 9/22; B01D 47/00; B01D

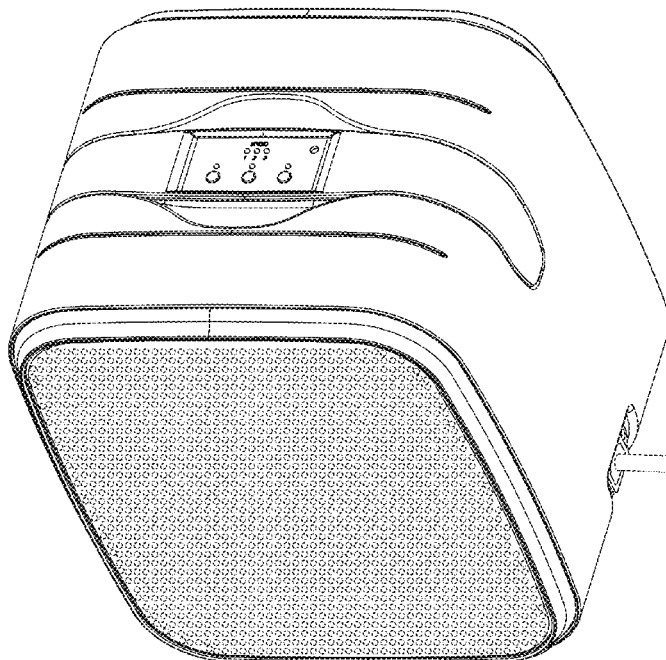
47/027; B01D 2221/02; B01D 2259/4508;

B03C 3/155; B03C 3/368; F24F 3/16;

F24F 13/20; F24F 13/28

See application file for complete search history.

1 Claim, 7 Drawing Sheets



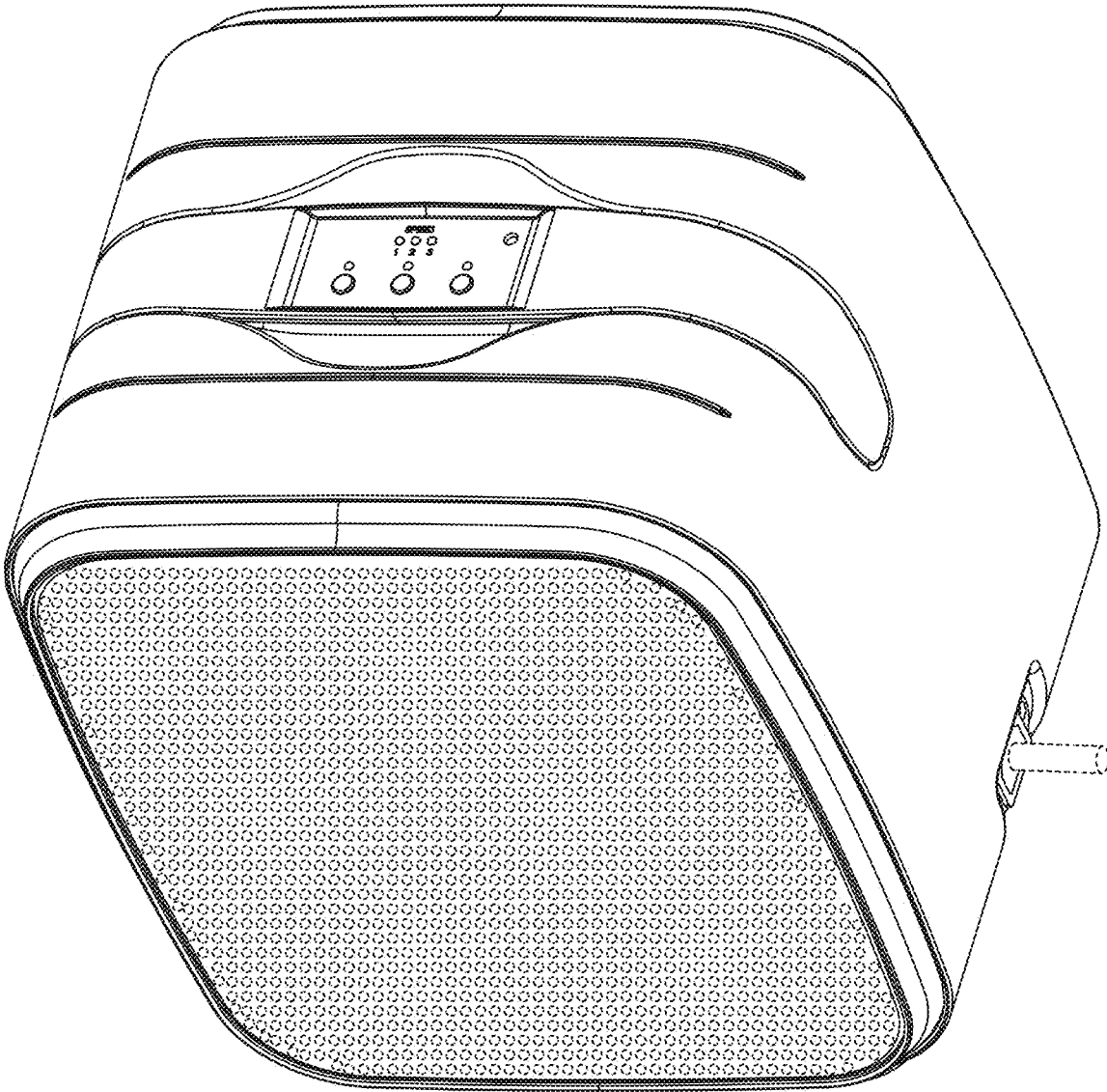


FIG. 1

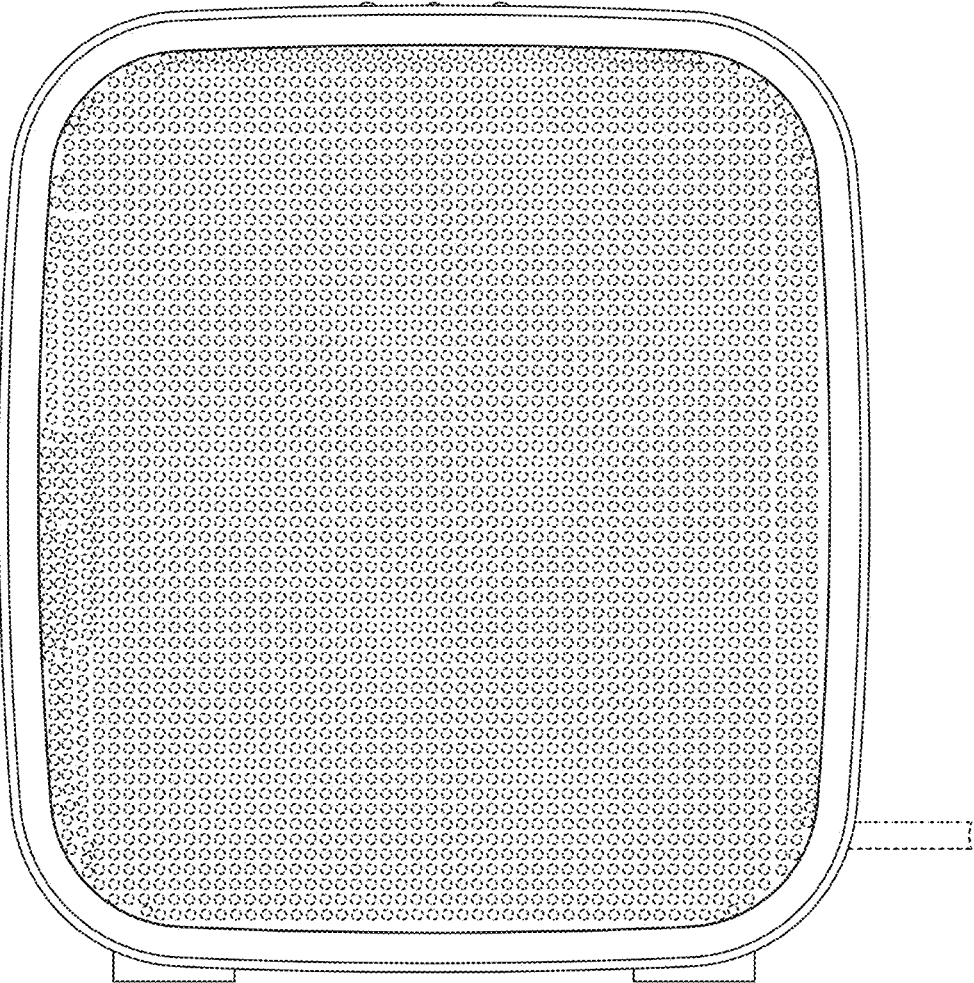


FIG. 2

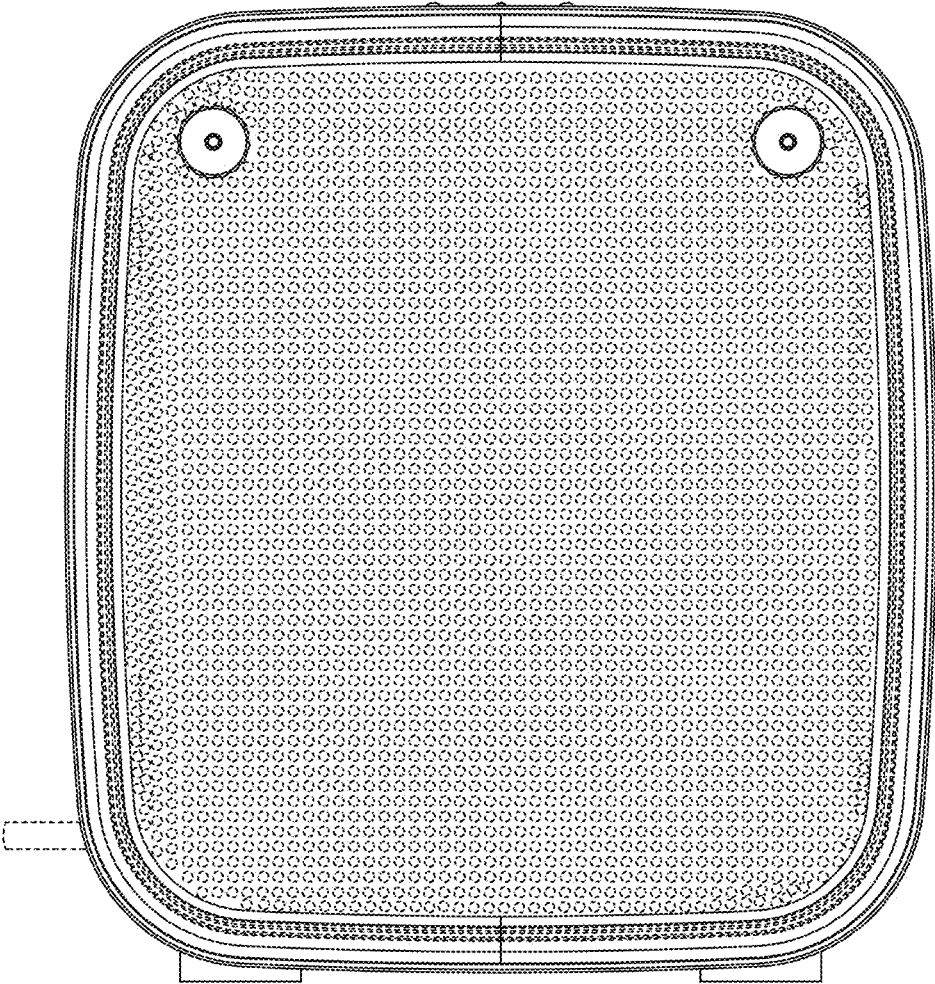


FIG. 3

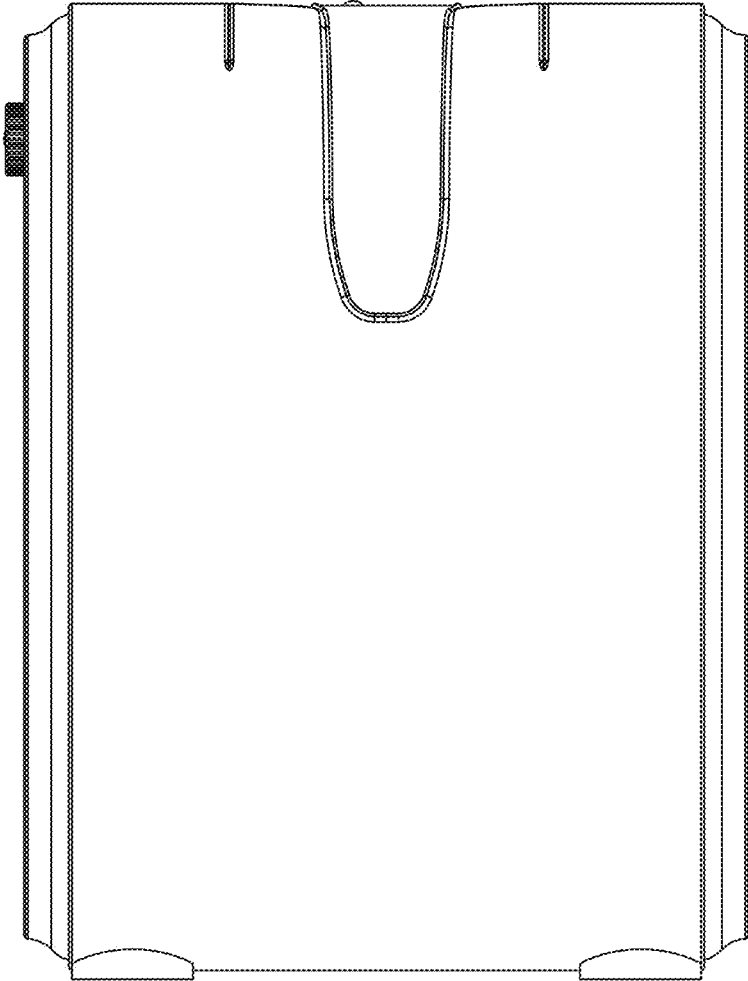


FIG. 4

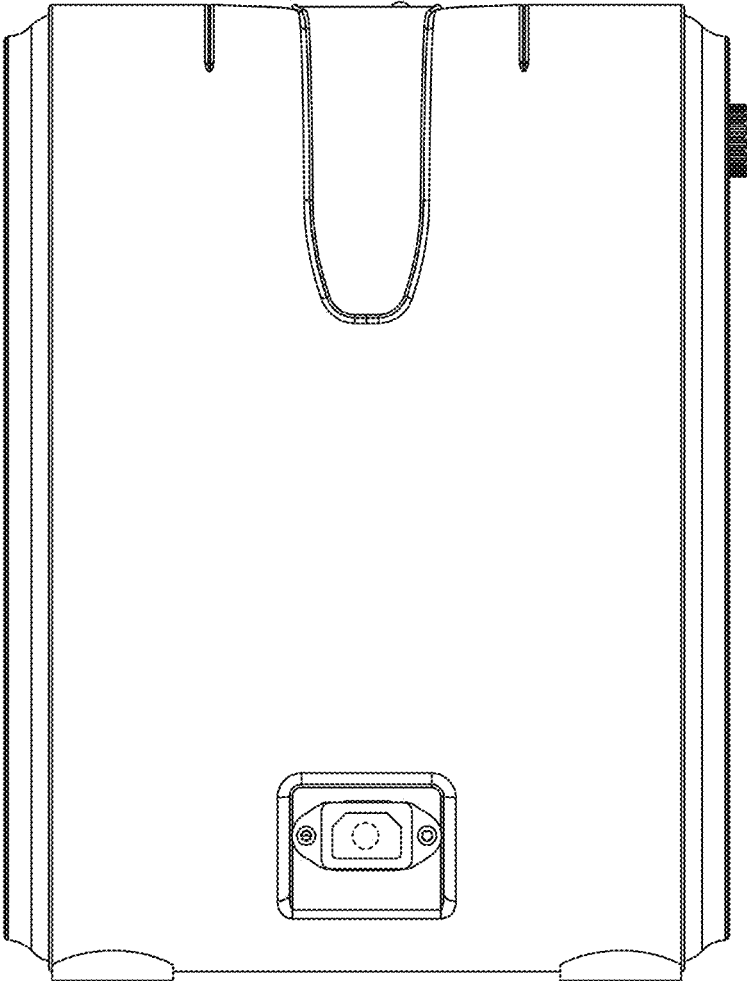


FIG. 5

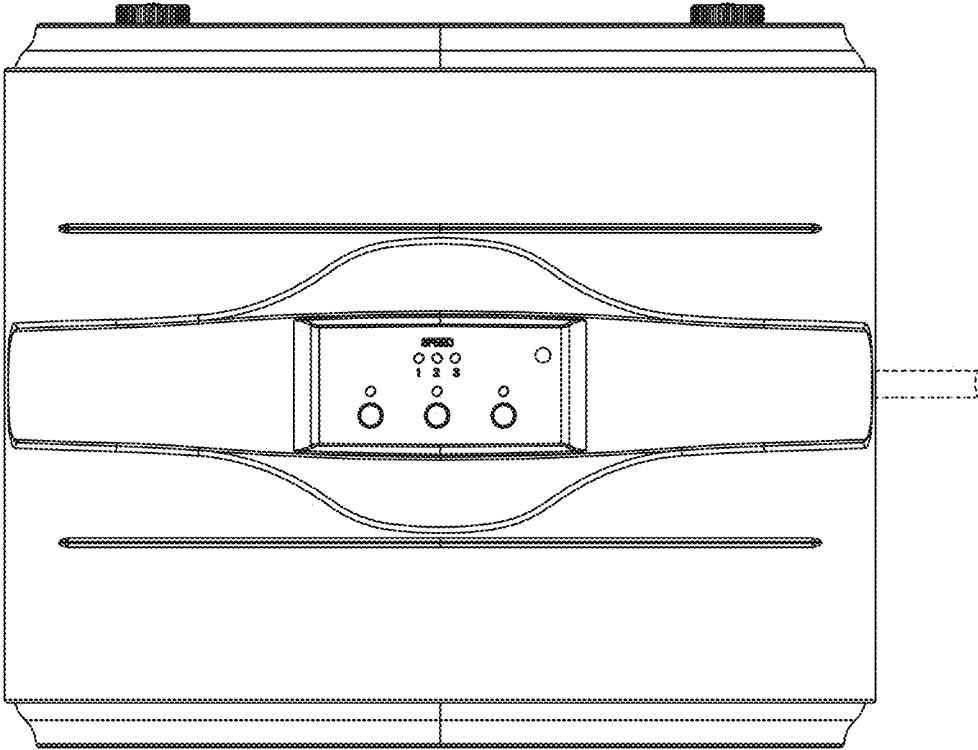


FIG. 6

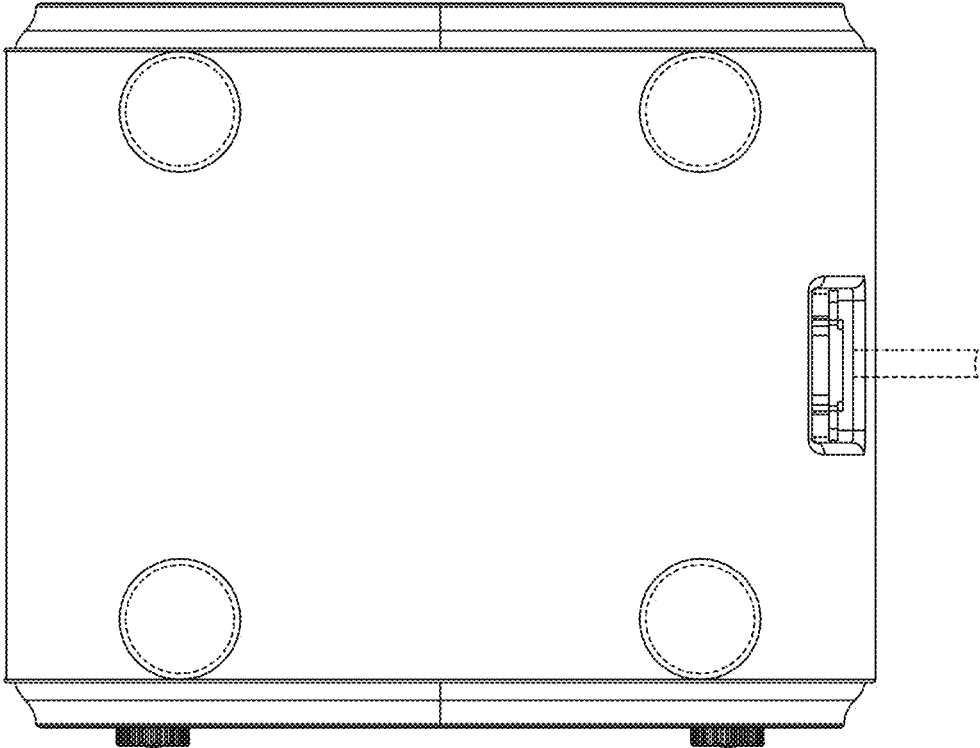


FIG. 7