

(12) INTERNATIONAL APPLICATION PUBLISHED UNDER THE PATENT COOPERATION TREATY (PCT)

(19) World Intellectual Property Organization  
International Bureau



(43) International Publication Date  
26 September 2002 (26.09.2002)

PCT

(10) International Publication Number  
**WO 02/074445 A3**

(51) International Patent Classification<sup>7</sup>: **B05B 7/04**

Apartment 1607, Warminster, PA 18974 (US). **AL-BRECHT, Charles, W.** [US/US]; 3726 Robin Road, Furlong, PA 18925 (US).

(21) International Application Number: PCT/US02/06313

(22) International Filing Date: 28 February 2002 (28.02.2002)

(74) Agents: **LEACE, Benjamin, E.** et al.; Ratner & Prestia, 301 One Westlakes (Berwyn), P.O. Box 980, Valley Forge, PA 19482-0980 (US).

(25) Filing Language: English

(26) Publication Language: English

(81) Designated States (*national*): AE, AG, AL, AM, AT, AU, AZ, BA, BB, BG, BR, BY, BZ, CA, CH, CN, CO, CR, CU, CZ, DE, DK, DM, DZ, EC, EE, ES, FI, GB, GD, GE, GH, GM, HR, HU, ID, IL, IN, IS, JP, KE, KG, KP, KR, KZ, LC, LK, LR, LS, LT, LU, LV, MA, MD, MG, MK, MN, MW, MX, MZ, NO, NZ, OM, PH, PL, PT, RO, RU, SD, SE, SG, SI, SK, SL, TJ, TM, TN, TR, TT, TZ, UA, UG, US, UZ, VN, YU, ZA, ZM, ZW.

(30) Priority Data:  
60/271,947 28 February 2001 (28.02.2001) US

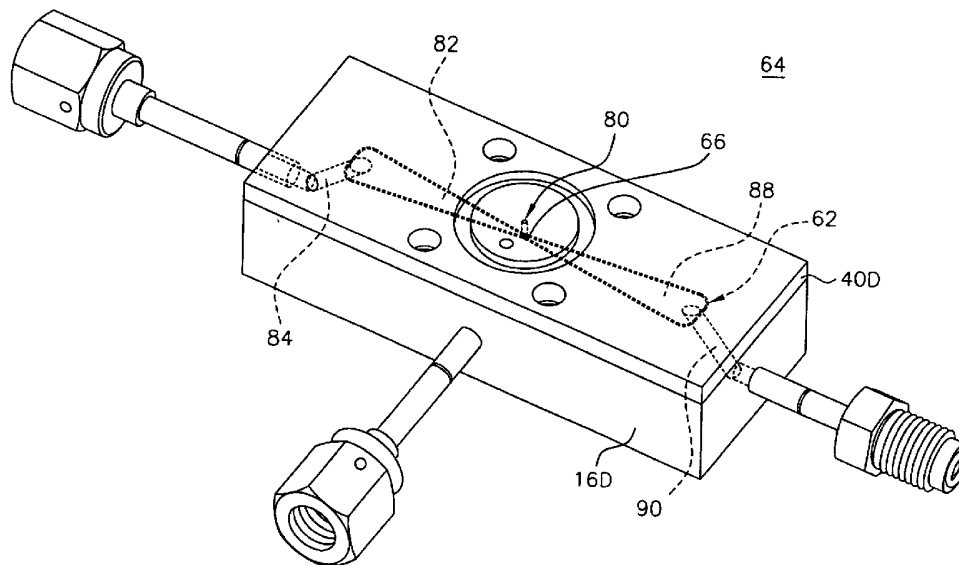
(71) Applicant (*for all designated States except US*): **PORTER INSTRUMENT COMPANY, INC.** [US/US]; P.O. Box 907, 245 Township Line Road, Hatfield, PA 19440-0907 (US).

(84) Designated States (*regional*): ARIPO patent (GH, GM, KE, LS, MW, MZ, SD, SL, SZ, TZ, UG, ZM, ZW), Eurasian patent (AM, AZ, BY, KG, KZ, MD, RU, TJ, TM), European patent (AT, BE, CH, CY, DE, DK, ES, FI, FR, GB, GR, IE, IT, LU, MC, NL, PT, SE, TR), OAPI patent (BF, BJ, CF, CG, CI, CM, GA, GN, GQ, GW, ML, MR, NE, SN, TD, TG).

(72) Inventors; and  
(75) Inventors/Applicants (*for US only*): **PORTER, George, K.** [US/US]; 12 Grissom Place, Maple Glen, PA 19002 (US). **WOLF, Seth, B.** [US/US]; 675 East Street Road,

[Continued on next page]

(54) Title: ATOMIZER



(57) Abstract: An atomizer is provided for combining a precise mass of atomized liquid into a gas stream. The atomizer includes a mixing (62) slot formed in a face of a base member (16d). The mixing slot (62) comprises a throat in fluid communication with a gas inlet side having a smoothly decreasing cross-sectional area and a mixture outlet side having a smoothly increasing cross-sectional area. A gas stream enters the mixing slot (62) via gas inlet side (82) and a liquid enters the mixing slot (64) via a liquid inlet (80) in fluid communication with the throat of the mixing slot (62). The mixing slot (62) is sealed by a sealing member abutting the face of the base member (16d) with the mixing slot (62) in it. The liquid is atomized and combined with a gas stream by venturi effect.



WO 02/074445 A3



**Published:**

- *with international search report*
- *before the expiration of the time limit for amending the claims and to be republished in the event of receipt of amendments*

*For two-letter codes and other abbreviations, refer to the "Guidance Notes on Codes and Abbreviations" appearing at the beginning of each regular issue of the PCT Gazette.*

**(88) Date of publication of the international search report:**

28 November 2002

INTERNATIONAL SEARCH REPORT

International Application No  
PCT/US 02/06313

**A. CLASSIFICATION OF SUBJECT MATTER**  
IPC 7 B05B7/04

According to International Patent Classification (IPC) or to both national classification and IPC

**B. FIELDS SEARCHED**

Minimum documentation searched (classification system followed by classification symbols)  
IPC 7 B05B

Documentation searched other than minimum documentation to the extent that such documents are included in the fields searched

Electronic data base consulted during the international search (name of data base and, where practical, search terms used)  
EPO-Internal, PAJ

**C. DOCUMENTS CONSIDERED TO BE RELEVANT**

Category °	Citation of document, with indication, where appropriate, of the relevant passages	Relevant to claim No.
X	US 5 901 908 A (BAKER JAY DEAVIS ET AL) 11 May 1999 (1999-05-11) the whole document	1-16
A	---	17-19
A	US 4 919 853 A (WATSON LLOYD D ET AL) 24 April 1990 (1990-04-24) the whole document	1-17
A	US 3 716 194 A (MILLER C) 13 February 1973 (1973-02-13) column 4, line 7 - line 22	1

Further documents are listed in the continuation of box C.

Patent family members are listed in annex.

° Special categories of cited documents :

- \*A\* document defining the general state of the art which is not considered to be of particular relevance
- \*E\* earlier document but published on or after the international filing date
- \*L\* document which may throw doubts on priority claim(s) or which is cited to establish the publication date of another citation or other special reason (as specified)
- \*O\* document referring to an oral disclosure, use, exhibition or other means
- \*P\* document published prior to the international filing date but later than the priority date claimed

- \*T\* later document published after the international filing date or priority date and not in conflict with the application but cited to understand the principle or theory underlying the invention
- \*X\* document of particular relevance; the claimed invention cannot be considered novel or cannot be considered to involve an inventive step when the document is taken alone
- \*Y\* document of particular relevance; the claimed invention cannot be considered to involve an inventive step when the document is combined with one or more other such documents, such combination being obvious to a person skilled in the art.
- \*&\* document member of the same patent family

Date of the actual completion of the international search  2 October 2002	Date of mailing of the international search report  10/10/2002
Name and mailing address of the ISA European Patent Office, P.B. 5818 Patentlaan 2 NL - 2280 HV Rijswijk Tel. (+31-70) 340-2040, Tx. 31 651 epo nl, Fax: (+31-70) 340-3016	Authorized officer  Juguet, J

# INTERNATIONAL SEARCH REPORT

Information on patent family members

International Application No  
PCT/US 02/06313

Patent document cited in search report	Publication date	Patent family member(s)	Publication date
US 5901908	A	11-05-1999	NONE
<hr/>			
US 4919853	A	24-04-1990	CA 1311782 A1 22-12-1992
			DE 3901674 A1 03-08-1989
			GB 2214108 A , B 31-08-1989
			IT 1228506 B 19-06-1991
			JP 1224063 A 07-09-1989
<hr/>			
US 3716194	A	13-02-1973	NONE
<hr/>			