

(19) World Intellectual Property Organization
International Bureau



(43) International Publication Date
30 November 2006 (30.11.2006)

PCT

(10) International Publication Number
WO 2006/127094 A3

(51) International Patent Classification:

F25B 21/02 (2006.01) *B67D 5/62* (2006.01)
F25B 7/00 (2006.01) *F28F 7/00* (2006.01)
F25B 1/00 (2006.01) *H05K 7/20* (2006.01)

(21) International Application Number:

PCT/US2006/009633

(22) International Filing Date: 17 March 2006 (17.03.2006)

(25) Filing Language: English

(26) Publication Language: English

(30) Priority Data:

11/138,139 26 May 2005 (26.05.2005) US

(71) Applicant (for all designated States except US): **COUNTRY PURE FOODS, LLC** [US/US]; 681 W. Waterloo Road, Akron, Ohio 44314 (US).

(72) Inventors; and

(75) Inventors/Applicants (for US only): **VITANTONIO, Marc, L.** [US/US]; 121 Countryside Drive, South Russell, Ohio 44022 (US). **KALMAN, Jeff** [US/US]; 1849 Cadwell Avenue, Cleveland Heights, Ohio 44118 (US).

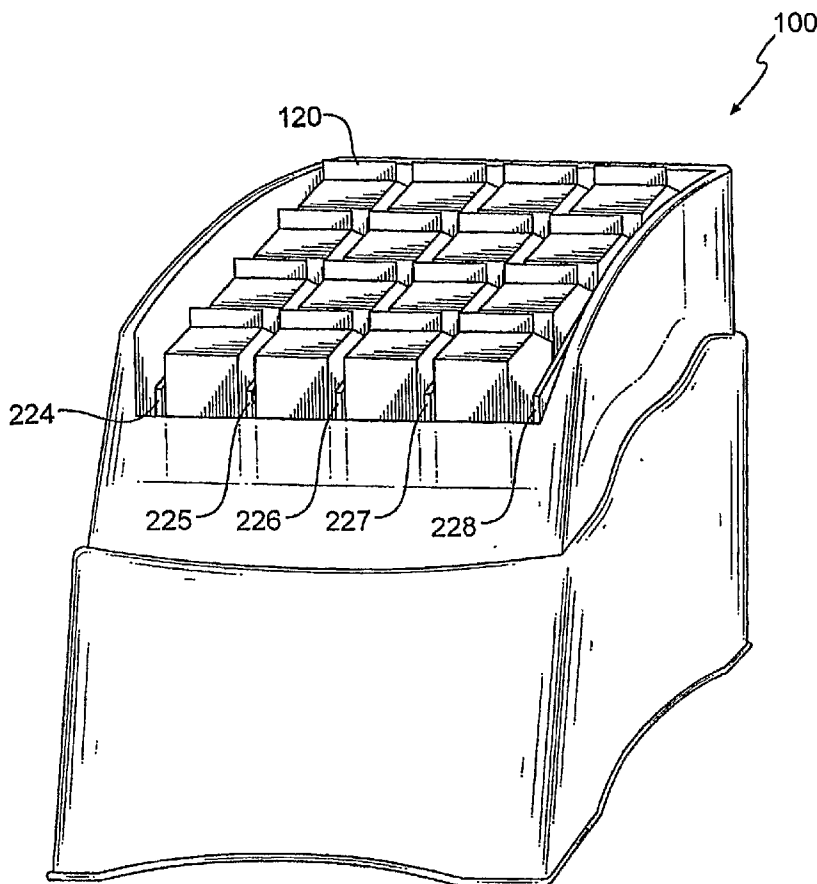
(74) Agents: **MUZILLA, David, J.** et al.; HAHN LOESER & PARKS LLP, One GoJo Plaza, Suite 300, Akron, Ohio 44311 (US).

(81) Designated States (unless otherwise indicated, for every kind of national protection available): AE, AG, AL, AM, AT, AU, AZ, BA, BB, BG, BR, BW, BY, BZ, CA, CH, CN, CO, CR, CU, CZ, DE, DK, DM, DZ, EC, EE, EG, ES, FI, GB, GD, GE, GH, GM, HR, HU, ID, IL, IN, IS, JP, KE, KG, KM, KN, KP, KR, KZ, LC, LK, LR, LS, LT, LU, LV, LY, MA, MD, MG, MK, MN, MW, MX, MZ, NA, NG, NI, NO, NZ, OM, PG, PH, PL, PT, RO, RU, SC, SD, SE, SG, SK, SL, SM, SY, TJ, TM, TN, TR, TT, TZ, UA, UG, US, UZ, VC, VN, YU, ZA, ZM, ZW.

(84) Designated States (unless otherwise indicated, for every kind of regional protection available): ARIPO (BW, GH, GM, KE, LS, MW, MZ, NA, SD, SL, SZ, TZ, UG, ZM, ZW), Eurasian (AM, AZ, BY, KG, KZ, MD, RU, TJ, TM), European (AT, BE, BG, CH, CY, CZ, DE, DK, EE, ES, FI, FR, GB, GR, HU, IE, IS, IT, LT, LU, LV, MC, NL, PL, PT, RO, SE, SI, SK, TR), OAPI (BF, BJ, CF, CG, CI, CM, GA, GN, GQ, GW, ML, MR, NE, SN, TD, TG).

[Continued on next page]

(54) Title: A SYSTEM AND METHOD FOR STORING A PRODUCT IN A THERMALLY STABILIZED STATE



(57) Abstract: A system and method for storing a product in a thermally stabilized state is disclosed. The system includes a thermally-conductive structure having at least an enclosed volume and an open section. The open section is configured to store at least one unit of the product as the product is exposed to ambient air. The system also includes a thermally-conductive fluid sealed within the enclosed volume and being in thermal contact with the enclosed volume. The system further includes at least one thermo-electric device and at least one thermally-conductive probe extending from the at least one thermo-electric device and into the fluid. The probe provides a thermally-conductive path between the fluid and the thermo-electric device.

WO 2006/127094 A3



Published:

- with international search report
- before the expiration of the time limit for amending the claims and to be republished in the event of receipt of amendments

For two-letter codes and other abbreviations, refer to the "Guidance Notes on Codes and Abbreviations" appearing at the beginning of each regular issue of the PCT Gazette.

(88) Date of publication of the international search report:

2 August 2007

INTERNATIONAL SEARCH REPORT

International application No.

PCT/US06/09633

A. CLASSIFICATION OF SUBJECT MATTER

IPC: **F25B 21/02**(2006.01),**7/00**(2006.01),**1/00**(2006.01);**B67D 5/62**(2006.01);**F28F 7/00**(2006.01);**H05K 7/20**(2006.01)

USPC: 62/3.2.3.3.3.6.3.7.79.115.389.393;165/80.4;361/702.721

According to International Patent Classification (IPC) or to both national classification and IPC

B. FIELDS SEARCHED

Minimum documentation searched (classification system followed by classification symbols)

U.S. : 62/3.2.3.3.3.6.3.7.79.115.389.393;165/80.4;361/702.721

Documentation searched other than minimum documentation to the extent that such documents are included in the fields searched

Electronic data base consulted during the international search (name of data base and, where practicable, search terms used)
Conducted electronic search by using search engine EAST.

C. DOCUMENTS CONSIDERED TO BE RELEVANT

Category *	Citation of document, with indication, where appropriate, of the relevant passages	Relevant to claim No.
A	US 6,026,988 A (TEETSEL, III et al) 22 February 2000 (26.02.2000), see the entire document.	1-46
A	US 5,544,489 A (MOREN) 13 August 1996 (13.08.1996), see the entire document	1-46
A	US 5,704,223 A (MACPHERSON et al) 06 January 1998 (06.01.1998), see the entire document.	1-46
A	US 5,357,426 A (MORITA et al) 18 October 1994 (18.10.1994), see the entire document.	1-46

Further documents are listed in the continuation of Box C.

See patent family annex.

* Special categories of cited documents:	"T"	later document published after the international filing date or priority date and not in conflict with the application but cited to understand the principle or theory underlying the invention
"A" document defining the general state of the art which is not considered to be of particular relevance	"X"	document of particular relevance; the claimed invention cannot be considered novel or cannot be considered to involve an inventive step when the document is taken alone
"E" earlier application or patent published on or after the international filing date	"Y"	document of particular relevance; the claimed invention cannot be considered to involve an inventive step when the document is combined with one or more other such documents, such combination being obvious to a person skilled in the art
"L" document which may throw doubts on priority claim(s) or which is cited to establish the publication date of another citation or other special reason (as specified)	"&"	document member of the same patent family
"O" document referring to an oral disclosure, use, exhibition or other means		
"P" document published prior to the international filing date but later than the priority date claimed		

Date of the actual completion of the international search

20 April 2007 (20.04.2007)

Date of mailing of the international search report

12 JUN 2007

Name and mailing address of the ISA/US

Mail Stop PCT, Attn: ISA/US
Commissioner for Patents
P.O. Box 1450
Alexandria, Virginia 22313-1450

Facsimile No. (571) 273-3201

Authorized officer

Cheryl J Tyler *Sharon N Greene for*
Telephone No. 571-272-4834