



- (51) **International Patent Classification:**
F02M 37/00 (2006.01)
- (21) **International Application Number:**
PCT/US2009/035947
- (22) **International Filing Date:**
4 March 2009 (04.03.2009)
- (25) **Filing Language:** English
- (26) **Publication Language:** English
- (30) **Priority Data:**
61/034,294 6 March 2008 (06.03.2008) US
12/394,717 27 February 2009 (27.02.2009) US
- (63) **Related by continuation (CON) or continuation-in-part (CIP) to earlier application:**
US 12/394,717 (CON)
Filed on 27 February 2009 (27.02.2009)
- (71) **Applicant (for all designated States except US):** SYNERJECT, LLC [US/US]; 201 Enterprise Drive, Newport News, Virginia 23603 (US).
- (72) **Inventor; and**
- (75) **Inventor/Applicant (for US only):** LEPPERT, Kevin, L. [US/US]; 3801 Good Hope Road, Lanexa, Virginia 23089 (US).
- (74) **Agents:** MILLS, John, R. et al.; Cooley Godward Kronish LLP, Attn: Patent Group, 777 6th St., NW, Suite 1100, Washington, District of Columbia 20001 (US).
- (81) **Designated States (unless otherwise indicated, for every kind of national protection available):** AE, AG, AL, AM, AO, AT, AU, AZ, BA, BB, BG, BH, BR, BW, BY, BZ, CA, CH, CN, CO, CR, CU, CZ, DE, DK, DM, DO, DZ, EC, EE, EG, ES, FI, GB, GD, GE, GH, GM, GT, HN, HR, HU, ID, IL, IN, IS, JP, KE, KG, KM, KN, KP, KR, KZ, LA, LC, LK, LR, LS, LT, LU, LY, MA, MD, ME, MG, MK, MN, MW, MX, MY, MZ, NA, NG, NI, NO, NZ, OM, PG, PH, PL, PT, RO, RS, RU, SC, SD, SE, SG, SK, SL, SM, ST, SV, SY, TJ, TM, TN, TR, TT, TZ, UA, UG, US, UZ, VC, VN, ZA, ZM, ZW.
- (84) **Designated States (unless otherwise indicated, for every kind of regional protection available):** ARIPO (BW, GH,

[Continued on next page]

(54) **Title:** FUEL PUMP MODULE HAVING A DIRECT MOUNTED JET PUMP AND METHODS OF ASSEMBLY

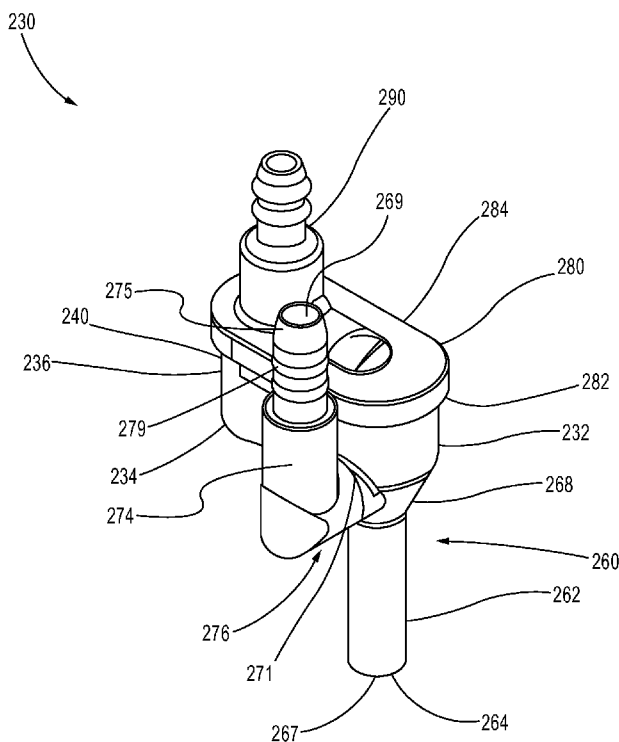


FIG.6

(57) **Abstract:** An apparatus includes a housing configured to receive a portion of a fuel pump. The housing defines a first flow path, a second flow path and a third flow path. The first flow path is in fluid communication with a fuel outlet portion of the fuel pump. The second flow path is in fluid communication with the first flow path. The third flow path is in fluid communication with the second flow path. A side wall of the housing defines a venturi within the second flow path at a location downstream from an intersection of the third flow path and the second flow path. A flow control member is disposed within the second flow path at a location upstream from the intersection of the third flow path and the second flow path. The flow control member is configured to regulate the fuel flow within the second flow path.



GM, KE, LS, MW, MZ, NA, SD, SL, SZ, TZ, UG, ZM, ZW), Eurasian (AM, AZ, BY, KG, KZ, MD, RU, TJ, TM), European (AT, BE, BG, CH, CY, CZ, DE, DK, EE, ES, FI, FR, GB, GR, HR, HU, IE, IS, IT, LT, LU, LV, MC, MK, MT, NL, NO, PL, PT, RO, SE, SI, SK, TR), OAPI (BF, BJ, CF, CG, CI, CM, GA, GN, GQ, GW, ML, MR, NE, SN, TD, TG).

— *as to applicant's entitlement to apply for and be granted a patent (Rule 4.17(ii))*

Published:

— *with international search report (Art. 21(3))*

(88) Date of publication of the international search report:

7 January 2010

Declarations under Rule 4.17:

INTERNATIONAL SEARCH REPORT

International application No.

PCT/US2009/035947

A. CLASSIFICATION OF SUBJECT MATTER

IPC(8) - F02M 37/00 (2009.01)

USPC - 123/514

According to International Patent Classification (IPC) or to both national classification and IPC

B. FIELDS SEARCHED

Minimum documentation searched (classification system followed by classification symbols)

IPC(8) - F02M 37/00, 37/04, 37/10; B60K 15/077 (2009.01)

USPC - 123/514; 137/574, 576

Documentation searched other than minimum documentation to the extent that such documents are included in the fields searched

Electronic data base consulted during the international search (name of data base and, where practicable, search terms used)

USPTO EAST System (US, USPG-PUB, EPO, DERWENT), Minesoft PatBase, IP.com, DialogPro

C. DOCUMENTS CONSIDERED TO BE RELEVANT

Category*	Citation of document, with indication, where appropriate, of the relevant passages	Relevant to claim No.
X	US 2003/0000502 A1 (JONES et al) 02 January 2003 (02.01.2003) entire document	1, 2, 7
X	US 2006/0231079 A1 (PALUSZEWSKI) 19 October 2006 (19.10.2006) entire document	1, 3-5, 7-9, 11-17
-		
Y		6, 10
Y	US 3,901,025 A (BRYERTON et al) 26 August 1975 (26.08.1975) entire document	6, 10
A	US 2007/128049 A1 (SANCHEZ et al) 07 June 2007 (07.06.2007) entire document	1-17
A	US 6,260,643 B1 (CHIH) 17 July 2001 (17.07.2001) entire document	1-17
A	US 5,341,842 A (CHIH et al) 30 August 1994 (30.08.1994) entire document	1-17
A	US 6,343,589 B1 (TALASKI et al) 05 February 2002 (05.02.2002) entire document	1-17

 Further documents are listed in the continuation of Box C.

* Special categories of cited documents:

"A" document defining the general state of the art which is not considered to be of particular relevance

"E" earlier application or patent but published on or after the international filing date

"L" document which may throw doubts on priority claim(s) or which is cited to establish the publication date of another citation or other special reason (as specified)

"O" document referring to an oral disclosure, use, exhibition or other means

"P" document published prior to the international filing date but later than the priority date claimed

"T" later document published after the international filing date or priority date and not in conflict with the application but cited to understand the principle or theory underlying the invention

"X" document of particular relevance; the claimed invention cannot be considered novel or cannot be considered to involve an inventive step when the document is taken alone

"Y" document of particular relevance; the claimed invention cannot be considered to involve an inventive step when the document is combined with one or more other such documents, such combination being obvious to a person skilled in the art

"&" document member of the same patent family

Date of the actual completion of the international search

16 April 2009

Date of mailing of the international search report

28 APR 2009

Name and mailing address of the ISA/US

Mail Stop PCT, Attn: ISA/US, Commissioner for Patents

P.O. Box 1450, Alexandria, Virginia 22313-1450

Facsimile No. 571-273-3201

Authorized officer:

Blaine R. Copenheaver

PCT Helpdesk: 571-272-4300

PCT OSP: 571-272-7774