



US00D366183S

**United States Patent** [19]  
**Sintchak**

[11] **Patent Number:** **Des. 366,183**  
[45] **Date of Patent:** **\*\*Jan. 16, 1996**

[54] **SPACER FOR BEVERAGE BREWING APPARATUS**

4,083,294 4/1970 Petry ..... D7/309 X  
4,699,342 10/1987 Bartz et al. .... D7/397 X

[76] Inventor: **Ivan Sintchak**, 53 La Cresta Rd.,  
Orinda, Calif. 94563

*Primary Examiner*—Alan P. Douglas  
*Assistant Examiner*—M. N. Pandozzi  
*Attorney, Agent, or Firm*—G. Donald Weber, Jr.

[\*\*] Term: **14 Years**

[57] **CLAIM**

[21] Appl. No.: **22,329**

The ornamental design for a spacer for beverage brewing apparatus, as shown and described.

[22] Filed: **May 3, 1994**

[52] U.S. Cl. .... **D7/388; D7/397**

**DESCRIPTION**

[58] **Field of Search** ..... D7/397, 387, 300,  
D7/304, 305, 306, 307, 308, 392, 301,  
624, 309

FIG. 1 is a front, perspective view of the spacer for beverage brewing apparatus of the instant invention.

FIG. 2 is a top plan view of the spacer for beverage brewing apparatus of the instant invention.

FIG. 3 is a bottom plan view of the spacer for beverage brewing apparatus of the instant invention.

FIG. 4 is a front elevational view of the spacer for beverage brewing apparatus of the instant invention.

FIG. 5 is a rear elevational view of the spacer for beverage brewing apparatus of the instant invention.

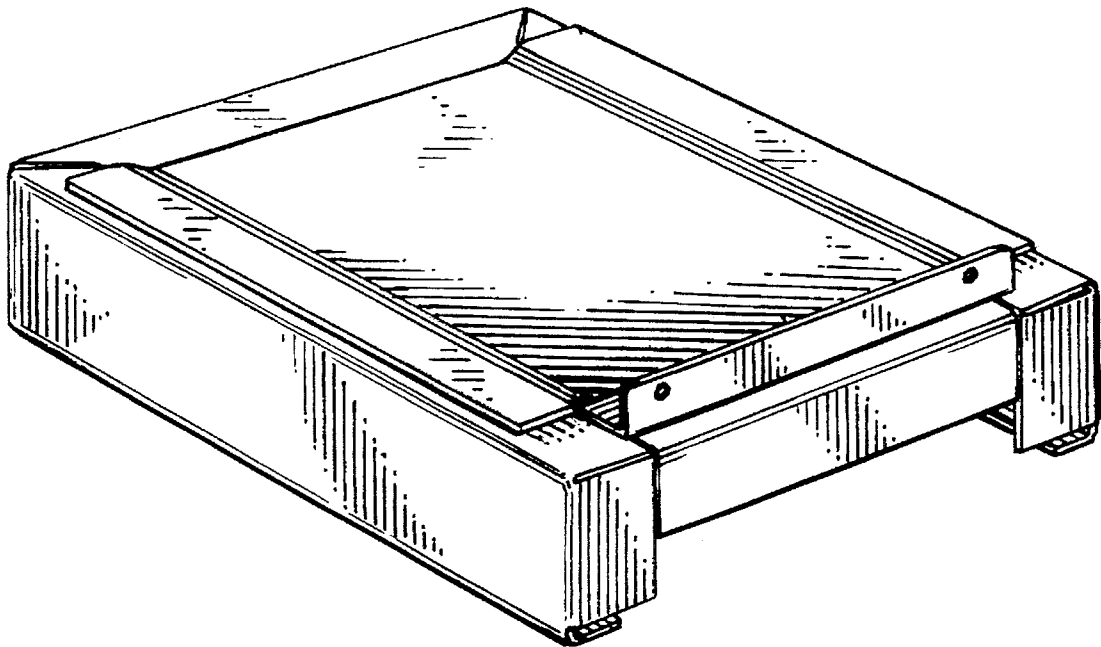
FIG. 6 is a side elevational view of the spacer for beverage brewing apparatus of the instant invention. The opposite side is the mirror image.

[56] **References Cited**

**U.S. PATENT DOCUMENTS**

D. 101,644	10/1936	Lehman	.....	D7/397
D. 214,332	6/1969	Swett	.....	D7/387 X
D. 236,791	9/1975	Bruno	.....	D7/624 X
D. 260,070	8/1981	Haverland et al.	.....	D7/624 X
D. 300,712	4/1989	Lambert	.....	D7/309 X
D. 306,536	3/1990	Pandolfi	.....	D7/397 X
D. 314,295	2/1991	Boyd	.....	D7/305 X
D. 315,493	3/1991	Cleland	.....	D7/397 X
D. 316,940	5/1991	Boyd	.....	D7/305 X
D. 336,205	6/1993	Cooper	.....	D7/624

**1 Claim, 1 Drawing Sheet**



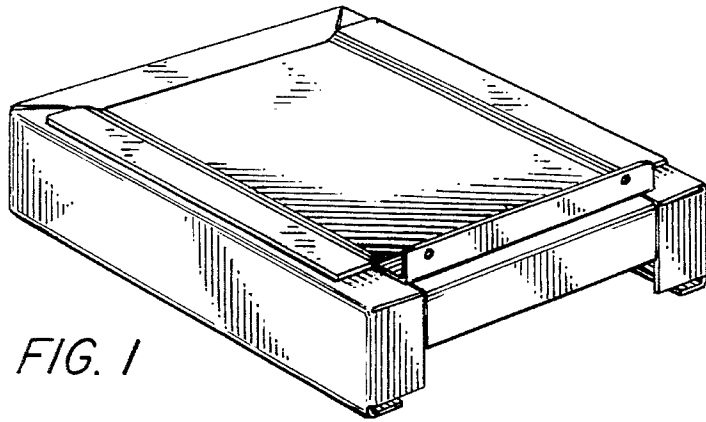


FIG. 1

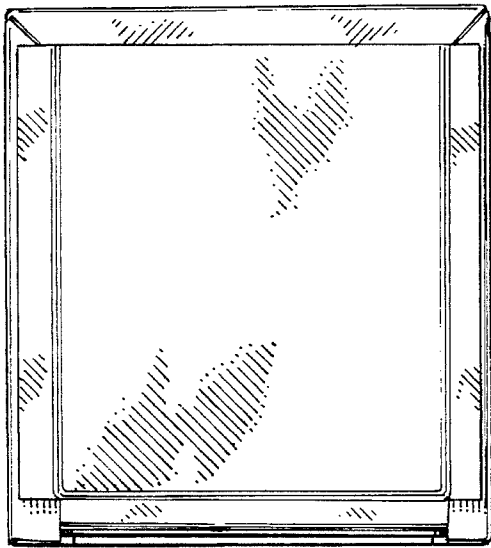


FIG. 2

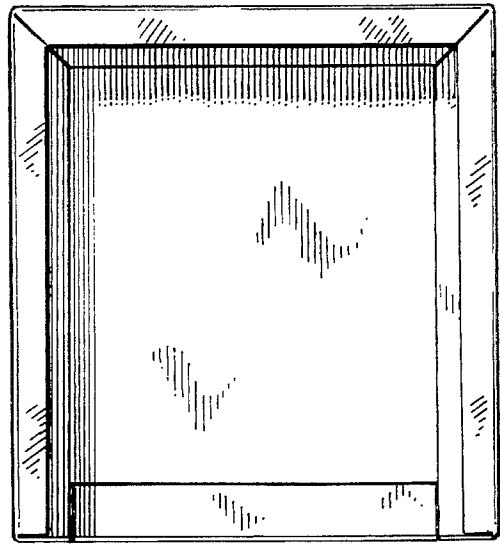


FIG. 3

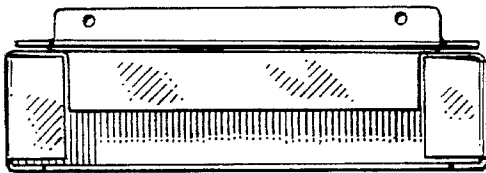


FIG. 4

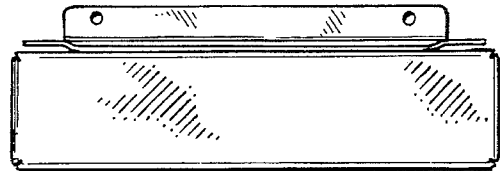


FIG. 5

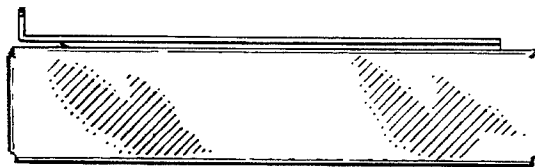


FIG. 6