



US0D1028076S

(12) **United States Design Patent**
Ogi et al.

(10) **Patent No.:** **US D1,028,076 S**

(45) **Date of Patent:** **** May 21, 2024**

(54) **DIGITAL MULTIFUNCTION PRINTER**

FOREIGN PATENT DOCUMENTS

(71) Applicant: **FUJIFILM Corporation**, Tokyo (JP)

CN 304030191 2/2017
JP D1590725 10/2017

(72) Inventors: **Kazuyuki Ogi**, Tokyo (JP); **Masaaki Takenouchi**, Tokyo (JP)

OTHER PUBLICATIONS

(73) Assignee: **FUJIFILM CORPORATION**, Tokyo (JP)

HPMultifunction Printer, Amazon, published Oct. 18, 2018, retrieved Aug. 18, 2023, U.S. Appl. No. 29/861,451—https://www.amazon.com/Refurbished-HP-Enterprise-Multifunction-1500-sheet/dp/B07JJZLKQ3/ref=sr_1_3?crd=1KB26TIL5D44&keywords=floor+printer&qid=1692375075&sprefix=floor+printer%2Caps%2C100&sr=8-3 (Year: 2018).*

(**) Term: **15 Years**

(21) Appl. No.: **29/861,451**

(22) Filed: **Nov. 30, 2022**

(Continued)

Related U.S. Application Data

(62) Division of application No. 29/739,219, filed on Jun. 23, 2020.

Primary Examiner — Nicole C Shiflet

Assistant Examiner — Danielle Nichole Bowly

(74) *Attorney, Agent, or Firm* — MCGINN I.P. LAW GROUP, PLLC

(30) **Foreign Application Priority Data**

Dec. 26, 2019 (JP) 2019-029011
Dec. 26, 2019 (JP) 2019-029013

(57) **CLAIM**

The ornamental design for a digital multifunction printer, as shown and described.

(51) **LOC (14) Cl.** **18-02**

DESCRIPTION

(52) **U.S. Cl.**
USPC **D18/53**

(58) **Field of Classification Search**
USPC D18/4.1, 4.4, 4.34, 1, 6, 7, 14, 19, 34.3, D18/34.7, 34.8, 34.9, 36, 37, 38, 39, 46, D18/47, 4, 8, 49, 50–56; D14/300, 301, D14/302, 307, 308, 314, 321, 365, 420,
(Continued)

FIG. 1 is a perspective view of a digital multifunction printer showing our new design;
FIG. 2 is another perspective view of the digital multifunction printer;
FIG. 3 is a front view of the digital multifunction printer;
FIG. 4 is a rear view of the digital multifunction printer;
FIG. 5 is a plan view of the digital multifunction printer;
FIG. 6 is a bottom view of the digital multifunction printer;
FIG. 7 is a right side view of the digital multifunction printer; and,
FIG. 8 is a left side view of the digital multifunction printer. The broken lines shown in the drawings represent portions of the digital multifunction printer that form no part of the claimed design.

(56) **References Cited**

U.S. PATENT DOCUMENTS

D236,158 S 7/1975 Hope et al.
D258,896 S 4/1981 Cox
D599,398 S 9/2009 Laidlaw
(Continued)

1 Claim, 8 Drawing Sheets

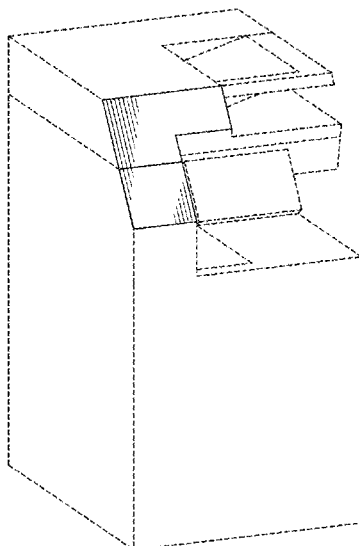


FIG. 1

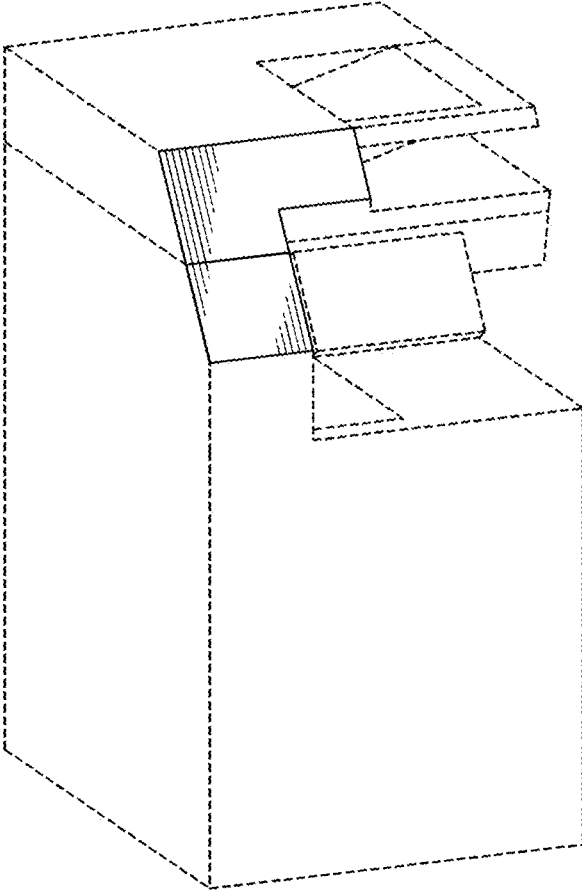


FIG. 2

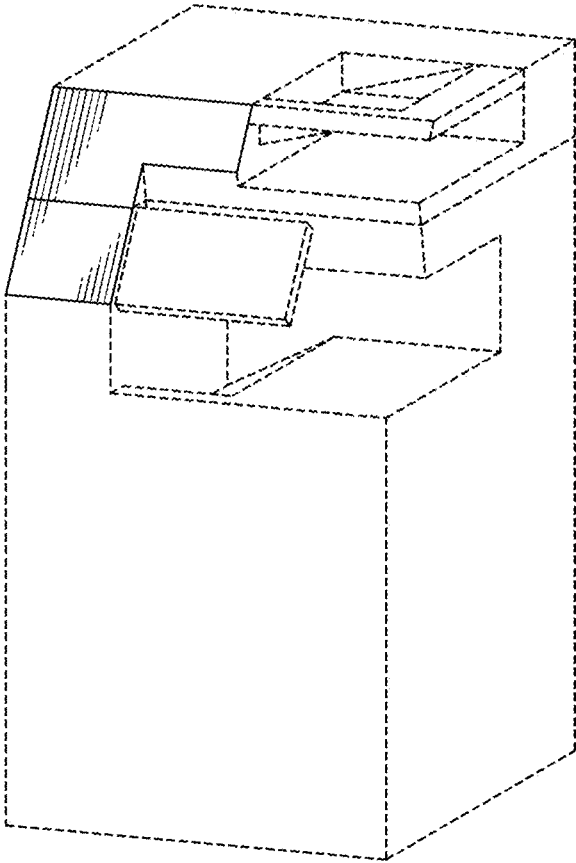


FIG. 3

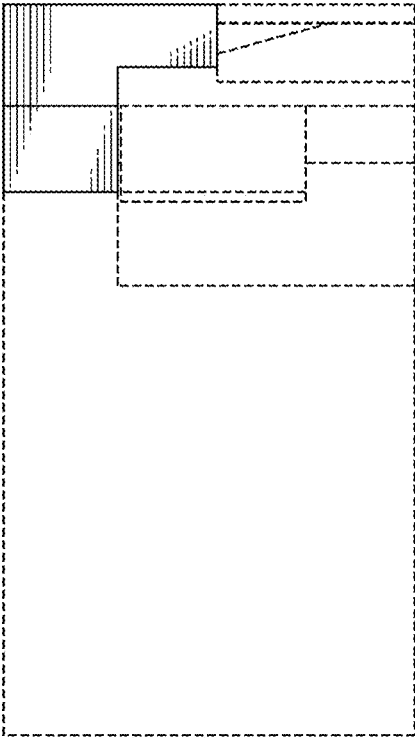


FIG. 4

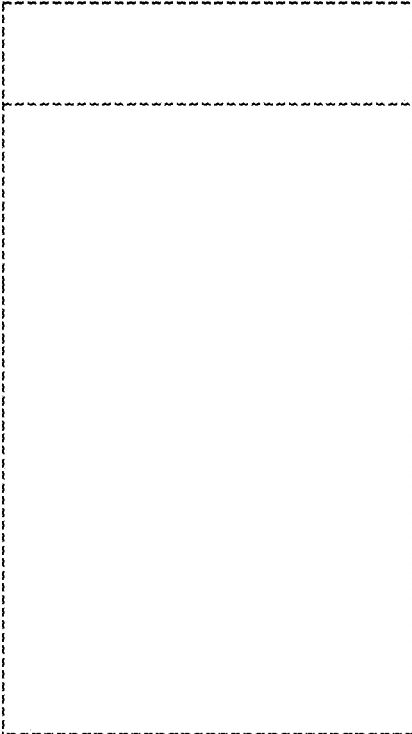


FIG. 5

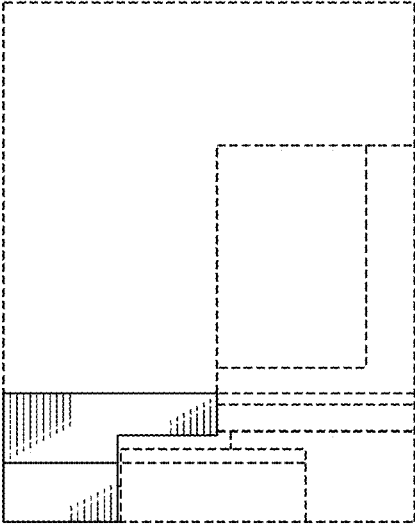


FIG. 6

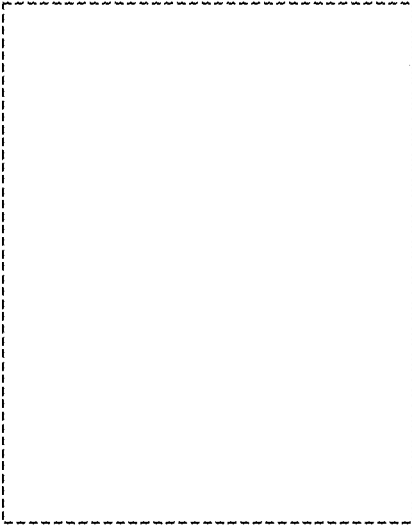


FIG. 7

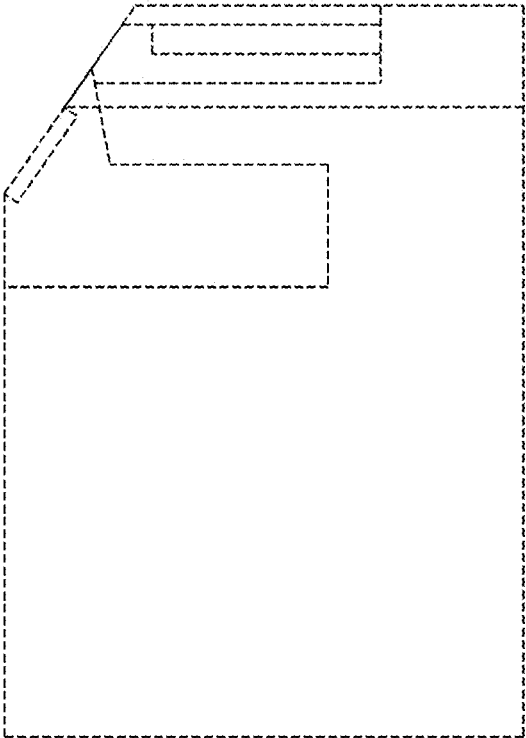


FIG. 8

