

- [54] DISPENSING NOZZLE BODY
- [75] Inventors: Arthur C. Fink, Jr., Lonedell;
William L. Tomes, Pacific; Grenville
G. Sutcliffe, Villa Ridge, all of Mo.
- [73] Assignee: Husky Corporation, Pacific, Mo.
- [**] Term: 14 Years
- [21] Appl. No.: 862,408
- [22] Filed: May 9, 1986
- [52] U.S. Cl. D23/226
- [58] Field of Search D23/213, 222-230;
141/206, 217, 392

| | | | |
|-----------|---------|-------------------|-----------|
| 1,883,843 | 10/1932 | Woodford | D23/226 X |
| 3,502,121 | 3/1970 | Moore et al. | 141/207 |
| 3,719,215 | 3/1973 | Murray | 141/207 |
| 4,378,824 | 4/1983 | Carder, Sr. | 141/206 |

Primary Examiner—James R. Largen
Attorney, Agent, or Firm—Paul M. Denk

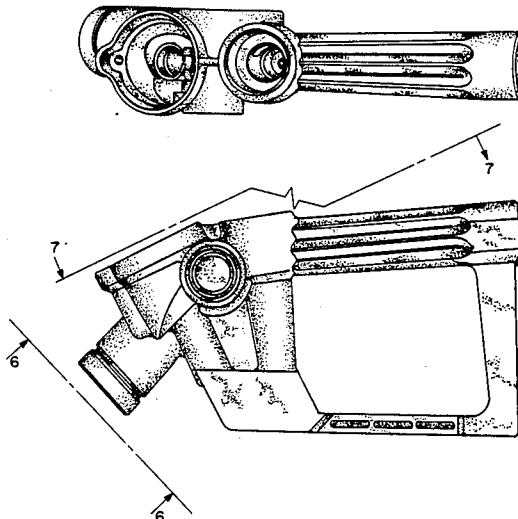
[57] CLAIM

The ornamental design for the dispensing nozzle body, as shown and described.

DESCRIPTION

FIG. 1 is a top plan view of a dispensing nozzle body showing my new design;
FIG. 2 is a right side elevational view thereof;
FIG. 3 is a bottom plan view thereof;
FIG. 4 is a left side elevational view thereof;
FIG. 5 is a rear elevational view thereof;
FIG. 6 is an elevational view taken on the plane of the line 6—6 of FIG. 2; and
FIG. 7 is an elevational view taken on the plane of line 7—7 of FIG. 2.

- [56] References Cited
- U.S. PATENT DOCUMENTS
- D. 107,752 1/1938 Dom D23/226
- D. 132,994 7/1942 Neef, Jr. D23/226
- D. 219,214 11/1970 Eklund D23/226
- D. 223,915 6/1972 Brown et al. D23/226
- D. 263,618 3/1982 Taylor D23/226



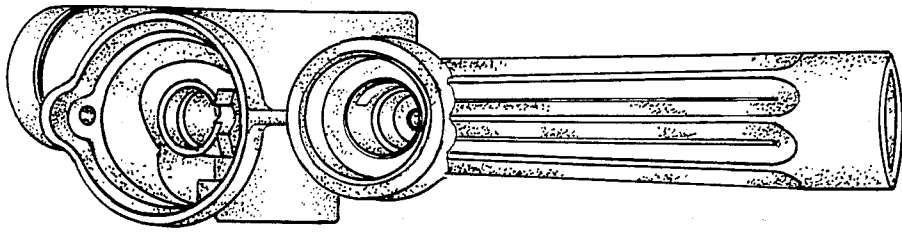


FIG. 1.

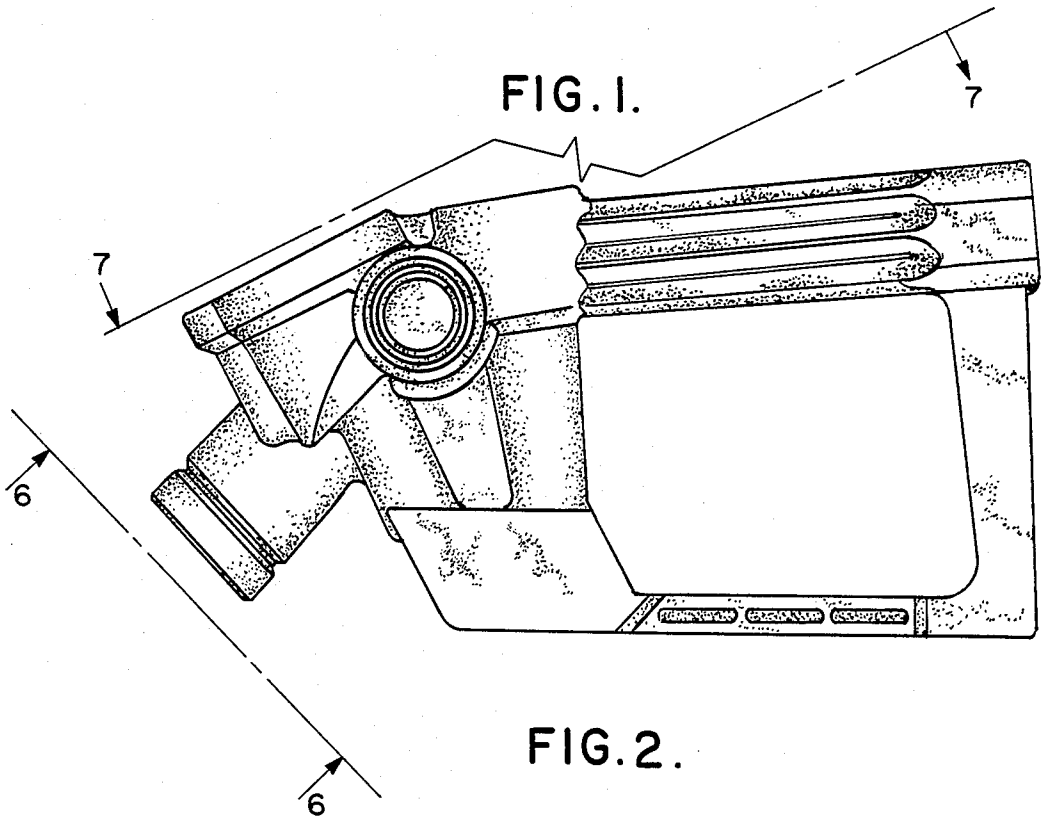


FIG. 2.

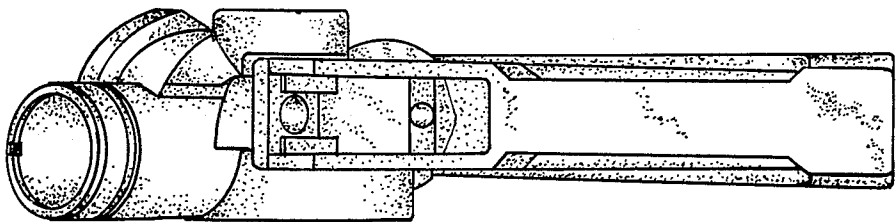


FIG. 3.

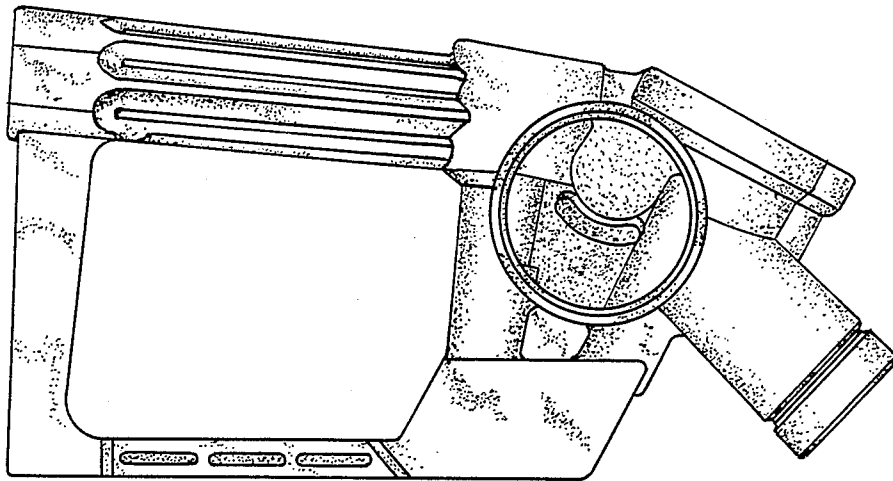


FIG. 4.

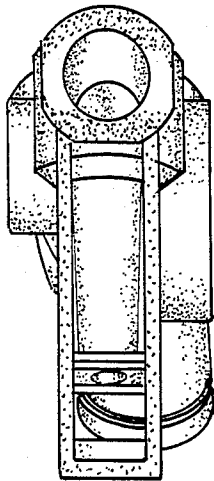


FIG. 5.

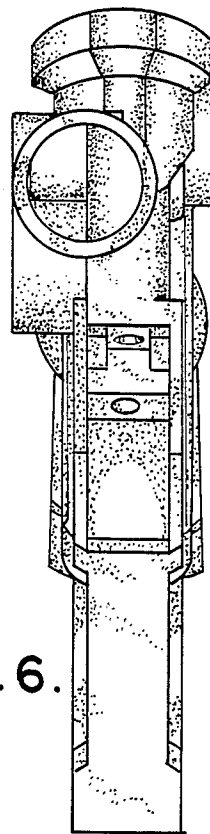


FIG. 6.

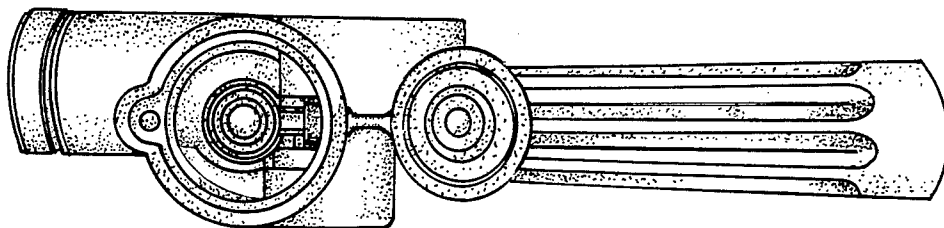


FIG. 7.