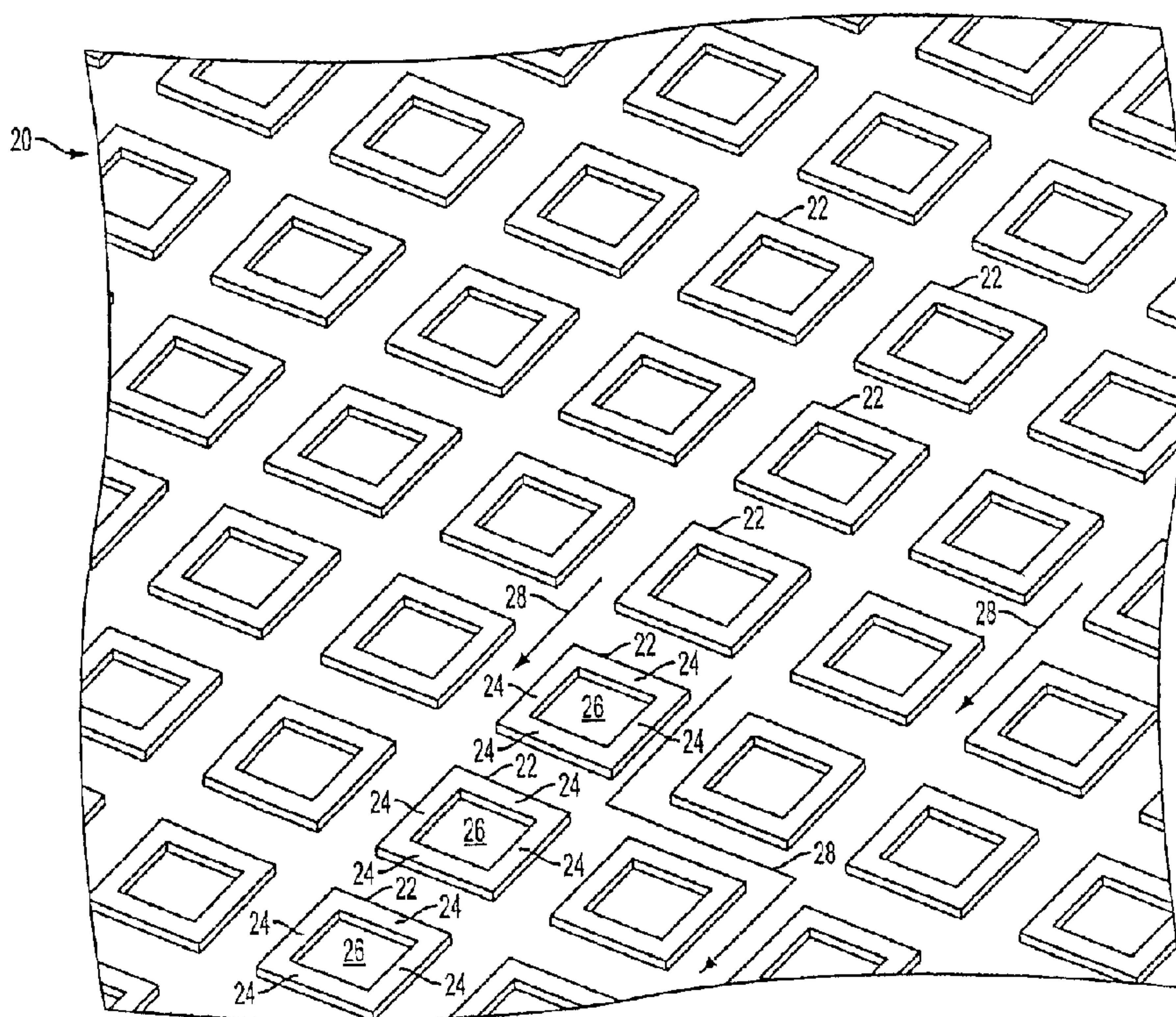




(22) Date de dépôt/Filing Date: 2005/07/21
(41) Mise à la disp. pub./Open to Public Insp.: 2006/02/02
(62) Demande originale/Original Application: 2 574 658
(30) Priorités/Priorities: 2004/07/22 (US60/590,981);
2005/07/19 (US11/185,450)

(51) Cl.Int./Int.Cl. *B65D 30/08* (2006.01)
(71) Demandeur/Applicant:
SUNBEAM PRODUCTS, INC., US
(72) Inventeur/Inventor:
WU, HONGYU, US
(74) Agent: BORDEN LADNER GERVAIS LLP

(54) Titre : FILMS D'EMBALLAGE SOUS VIDE A STRUCTURES CAVERNEUSES PROTUBERANTES
(54) Title: VACUUM PACKAGING FILMS PATTERNED WITH PROTRUDING CAVERNOUS STRUCTURES



(57) **Abrégé/Abstract:**

The present invention teaches a film having a pattern of protruding structures. When used in the vacuum packaging bag material context, the result is a vacuum packaging bag that a consumer can effectively evacuate and hermetically seal. The protruding structures tend to form channels that enable gas to evacuate from within a vacuum packaging bag. In certain embodiments, the protruding structures are formed only on an inner side of the vacuum packaging film, typically through a hot casting or heat-extrusion process. As a result, far less bag material is required than in the prior art patterned film formed through cold embossing processes. The present invention also contemplates a variety of applications for the films, including preformed bags and bag rolls, as well as a variety of apparatus for manufacturing the films and appliances for utilizing the bags and bag rolls.



ABSTRACT

The present invention teaches a film having a pattern of protruding structures. When used in the vacuum packaging bag material context, the result is a vacuum packaging bag that a consumer can effectively evacuate and hermetically seal. The protruding structures tend to form channels that enable gas to evacuate from within a vacuum packaging bag. In certain embodiments, the protruding structures are formed only on an inner side of the vacuum packaging film, typically through a hot casting or heat-extrusion process. As a result, far less bag material is required than in the prior art patterned film formed through cold embossing processes. The present invention also contemplates a variety of applications for the films, including preformed bags and bag rolls, as well as a variety of apparatus for manufacturing the films and appliances for utilizing the bags and bag rolls.

**VACUUM PACKAGING FILMS PATTERNED
WITH PROTRUDING CAVERNOUS STRUCTURES**

This application is a divisional application of Canadian Patent Application No. 2,574,658 filed on July 21, 2005.

TECHNICAL FIELD

5 The invention relates to vacuum packaging bags for packaging products using a vacuum packaging appliance. In particular, the present invention teaches a patterned film for making sealable vacuum packaging bags and bag rolls, as well as methods and appliances for use therewith.

BACKGROUND OF THE INVENTION

10 Vacuum packaging film is used for vacuum sealing of perishable items. Due to the film's versatility in producing vacuum sealed packages of various sizes, its popularity has increased in recent years. As a result, continuous product improvement is required on the part of manufacturers in order to stay competitive. One such improvement has been applying patterns to vacuum packaging bags.

15 For vacuum packaging bags with smooth inner surfaces (i.e., inner surfaces that do not have a pattern), the bag surfaces sometimes stick together when air is evacuated from the bag during vacuum packaging. This may result in air pockets within the seal and degraded seal integrity. In response to this problem, manufacturers may imprint or emboss a pattern onto vacuum packaging film used to form the vacuum packaging bags. The pattern helps prevent
20 vacuum packaging bag surfaces from sticking together during vacuum packaging by forming channels along the grooves of an imprinted pattern—or forming channels between raised portions of an embossed pattern—when the surfaces of the bag are face to face. The pattern may be applied to one or both of the inner surfaces of the vacuum packaging bag.

25 While imprinting or embossing a pattern onto vacuum packaging film is generally desirable, imprinting or embossing a pattern introduces new problems. For example, embossed patterns may be less durable than smooth surfaces. In general, the farther an embossed pattern sticks out from the surface of vacuum packaging film, the less durable the film becomes. Moreover, thicker embossing—or deeper grooves—typically consumes more material and may be harder to apply to or form into the film. Thicker embossing—or deeper grooves—also typically
30 results in thicker vacuum packaging film, which makes the film heavier and less compact so it takes up more space in storage. Furthermore, if the surface of a vacuum packaging film has a high concentration of raised areas, there will be fewer channels formed when evacuating a vacuum

packaging bag made of the film. Since there are fewer channels, even if relatively few channels become blocked gas may be trapped and air pockets formed, resulting in degraded seal integrity.

Accordingly, what is needed is a vacuum packaging film with an improved embossing pattern to reduce embossing thickness, to reduce the concentration of raised areas on vacuum packaging film, or to increase the number of channels formed when the vacuum packaging film is used in a vacuum packaging application.

SUMMARY OF THE INVENTION

The present invention teaches a variety of patterned films suitable for vacuum packaging applications, together with vacuum packaging bags, vacuum packaging bag rolls, and methods and apparatus for manufacturing the same.

5 A vacuum packaging bag that a user can place a product into, vacuum evacuate the vacuum packaging bag to a predefined vacuum level and hermetically seal through a predefined sealing process, the vacuum packaging bag includes, in accordance with a preferred embodiment; two sheets such that at least one of the two sheets has a patterned inner side and an outer side substantially without a pattern.

10 A multi-layer film suitable for use in forming a vacuum packaging bag, the multi-layer film, in accordance with another preferred embodiment, includes a patterned inner layer having a plurality of cavernous structures, the cavernous structures arranged in a pattern to form channels suitable for evacuation of gas when the multi-layer film is used to form a vacuum packaging bag. Also included is an outer layer coupled with the patterned inner layer, the outer layer having a
15 substantially flat outer surface.

A vacuum packaging bag for holding food or other product, in accordance with yet another preferred embodiment, includes a first sheet formed of a multi-layer plastic film, the multi-layer plastic film further including a patterned inner layer having a plurality of cavernous structures. The cavernous structures are arranged in a first pattern to form channels suitable for
20 evacuation of gas and an outer layer coupled with the patterned inner layer and the outer layer has a substantially flat outer surface. Also included is a second sheet, having a footprint similar to the first sheet, such that the first and second sheets are arranged with the patterned inner layer inside and facing the second sheet, the first and second sheets are sealed on opposing lateral sides and at an end side whereby the first and the second sheets form the vacuum packaging bag and have an
25 opening for insertion of food or other product.

A bag roll suitable for forming vacuum packaging bags for holding food or other product, in accordance with another exemplary embodiment, includes a first sheet formed of a multi-layer plastic film. The multi-layer plastic film further includes a patterned inner layer having a plurality of cavernous structures that are arranged in a first pattern to form channels suitable for evacuation
30 of gas and an outer layer coupled with the patterned inner layer having a substantially flat outer surface. Also included is a second sheet having a shape and size substantially similar to the first sheet. The first and second sheets are arranged with the patterned inner layer facing inside. The

first and second sheets are sealed on opposing lateral sides such that portions may be cut from the bag roll thereby creating a partially formed bag having opposing open ends that are sealable.

5 A method for manufacturing a multi-layer film, for use in vacuum packaging applications, having a pattern of protruding cavernous structures which operate to form channels suitable for evacuation of gas when the multi-layer film is used in the creation of a vacuum packaging bag, in accordance with yet another exemplary embodiment, includes heat-extruding a first material onto a spinning roll and heat-extruding a second material onto the spinning roll such that the first and second extruded materials bond and form first and second layers of the multi-layer film during a cooling of the first and second extruded materials. The method further includes applying the
10 pattern of protruding cavernous structures to the first and second layers in conjunction with the extrusion and the cooling of the first and second extruded materials such that the pattern is defined during the cooling of the first and second materials. The pattern is operable to form channels suitable for evacuation of gas from the vacuum packaging bag made of the multi-layer film, the pattern of protruding cavernous structure formed on only one side of the multi-layer film.

15 An apparatus for manufacturing a multi-layer film, for use in vacuum packaging applications, having a pattern of protruding cavernous structures that form channels suitable for evacuation of gas when the multi-layer film is used in the creation of a vacuum packaging bag, in accordance with another exemplary embodiment, includes a multi-layer extruder for extruding a first material and a second material and a cooling roll positioned with respect to the extruder such
20 that the extruder applies the first and second materials onto a circumferential surface of the cooling roll such that the first and second extruded materials bond and form first and second layers of a first multi-layer film during a cooling of the first and second extruded materials. Also included is a pattern forming mechanism arranged to pattern the first and second layers during the extrusion and cooling of the first and second materials, the pattern of protruding cavernous
25 structure formed on only one side of the multi-layer film.

A system for vacuum packaging a product within a vacuum packaging bag, in accordance with another exemplary embodiment, provides a vacuum packaging appliance for evacuating and sealing the vacuum packaging bag. The appliance includes a base defining an upper support surface adapted to receive an open end of a bag; a lid operatively associated with the base, the lid
30 and the base defining a vacuum chamber therebetween to receive the open end of the bag and at least one gasket surrounding the vacuum chamber for directly engaging the bag such that the open end of the bag is operatively associated with the vacuum chamber. The appliance also includes a vacuum source operatively associated with the vacuum chamber for selectively evacuating the vacuum chamber and the operatively associated bag and a trough coupled to the base for

receiving an open end of the bag and collecting contents taken from the bag while evacuating the bag, wherein a sealing mechanism is located adjacent to the trough in order to seal the evacuated bag. The system further includes bag material suitable for forming the vacuum packaging bag. The bag material includes a first sheet formed of a multi-layer plastic film having a patterned inner layer that has a plurality of cavernous structures. The cavernous structures are arranged in a first pattern to form channels suitable for evacuation of gas. The bag material also includes an outer layer coupled with the patterned inner layer such that the outer layer has a substantially flat outer surface. The system also includes a second sheet having a shape and size substantially similar to the first sheet such that the first and second sheets are arranged with the patterned inner layer facing inside and the first and second sheets are sealed on opposing lateral sides.

A vacuum packaging bag that a user can place a product into, vacuum evacuate the vacuum packaging bag to a predefined vacuum level and hermetically seal through a predefined sealing process, in accordance with a final exemplary embodiment, includes two sheets such that at least one of the two sheets has a patterned inner side including protruding structures. The protruding structures, formed during evacuation of the vacuum packaging bag, include primary evacuation channels that tend to form external to the protruding structures and secondary evacuation channels that tend to form internal to the protruding structures.

BRIEF DESCRIPTION OF THE DRAWINGS

FIG. 1 illustrates a patterned film in accordance with a first embodiment of the present invention.

5 FIG. 2 illustrates a patterned film in accordance with a second embodiment of the present invention.

FIG. 3 illustrates a patterned film in accordance with a third embodiment of the present invention.

FIG. 4 illustrates a patterned film in accordance with a fourth embodiment of the present invention.

FIG. 5 illustrates a patterned film in accordance with a fifth embodiment of the present invention.

10 FIGS. 6A – 6B illustrate top and bottom isometric views of a patterned film according to one aspect of the present invention.

FIGS. 7 – 9 illustrate three example pattern layouts according to another aspect of the present invention.

15 FIG. 10 is a cross-section of a film suitable for forming a peelably sealable vacuum packaging bag in accordance with one embodiment of the present invention.

FIG. 11 is a cross-section of another film suitable for forming a peelably sealable vacuum packaging bag in accordance with yet another embodiment of the present invention.

FIG. 12 is a top view of a sealed vacuum packaging bag according to one embodiment of the present invention.

20 FIG. 13 is an apparatus for manufacturing a roll of patterned sealable bag material.

FIG. 14 is an isometric view of a roll of patterned bag material produced by the apparatus of FIG. 13 according to still another embodiment of the present invention.

FIG. 15 is an isometric view of a vacuum packaging appliance in accordance with another embodiment of the present invention.

DETAILED DESCRIPTION

The present invention teaches a film having a pattern of protruding structures. When used in the vacuum packaging bag material context, the result is a vacuum packaging bag that a consumer can effectively evacuate and hermetically seal. The protruding structures tend to form channels that enable gas to evacuate from within a vacuum packaging bag. In certain embodiments, the protruding structures are formed only on an inner side of the vacuum packaging film, typically through a hot casting or heat-extrusion process. As a result, far less bag material is required than in the prior art patterned film formed through cold embossing processes. The present invention also contemplates a variety of applications for the films, including preformed bags and bag rolls, as well as a variety of apparatus for manufacturing the films and appliances for utilizing the bags and bag rolls.

FIG. 1 illustrates a patterned film 10 in accordance with one embodiment of the present invention. The patterned film 10 is formed having a plurality of protruding structures 12. The protruding structures 12 of FIG. 1 are shown having a rectangular shape. While the rectangular shape is suitable, its presentation here is somewhat arbitrary for purposes of example. Other shapes such as cylindrical, rhomboid, etc., or even irregular will suffice to accomplish the desired goal of forming channels during evacuation.

With further reference to FIG. 1, the present invention contemplates, e.g., using the patterned film 10 in a vacuum packaging application having the protruding structures 12 on the inside surface of a vacuum packaging bag. During evacuation of the vacuum packaging bag, primary channels 14 enable effective evacuation of the vacuum packaging bag. The primary channels 14 tend to prevent gas from being trapped due to stored product and the collapse of the vacuum packaging bag. In one embodiment, the pattern of the protruding structures 12 is formed only on the inner layer of vacuum packaging bag through a hot casting process, described in more detail below.

FIG. 2 illustrates a patterned film 20 according to another embodiment of the present invention. The patterned film 20 is formed with a plurality of protruding cavernous structures 22. Each of these protruding cavernous structures 22 are rectangular in a shape formed by walls 24. During evacuation of the vacuum packaging bag, primary channels 28 enable effective evacuation of the vacuum packaging bag. The primary channels 28 tend to prevent gas from being trapped due to stored product and the collapse of the vacuum packaging bag. In one embodiment, the pattern of the protruding structures 22 is formed only on the inner layer of vacuum packaging bag through a hot casting process, described in more detail below.

The walls 24 create an open ended internal cavity 26 within each protruding cavernous structure 22. The plurality of internal cavities 26 may be useful for capturing fluids. While it is desirable to evacuate gases from the vacuum packaging bag to improve preservation, typically fluids are best left remaining in the vacuum packaging bag.

5 FIG. 3 illustrates a patterned film 40 according to another embodiment of the present invention. The patterned film 40 is formed with a plurality of protruding cavernous structures 42. Each of these protruding cavernous structures 42 are rectangular in a shape formed by walls 44. The protruding structures 42 of FIG. 3 are shown having a rectangular shape. While the rectangular shape is suitable, its presentation here is for purposes of example. Other shapes such
10 as cylindrical, rhomboid, etc., or even irregular will suffice to accomplish the desired goal of forming channels during evacuation.

 During evacuation of the vacuum packaging bag, primary channels such as 48 are formed external to the protruding cavernous structures 42 and secondary channels such as 50 are formed through the walls 44 and internal to the protruding cavernous structures 42. Note that the exact
15 location of the secondary channels 50 is not paramount, as will be seen below in FIGS. 4 – 5. The channels 48 and 50 enable effective evacuation of the vacuum packaging bag, as they tend to prevent gas from being trapped due to stored product blockage and the collapse of the vacuum packaging bag. In one embodiment, the pattern of the protruding cavernous structures 42 is formed only on the inner layer of vacuum packaging bag through a hot casting process, described
20 in more detail below.

 With further reference to FIG. 3, the walls 44 create an open ended internal cavity 52 within each protruding cavernous structure 42. The secondary channels 50 allow evacuation through the internal cavities 52; however some fluid may still be trapped in the internal cavities 52, thereby tending to generate a better evacuation process.

25 FIG. 4 illustrates a patterned film 60 according to another embodiment of the present invention. The patterned film 60 is formed with a plurality of protruding cavernous structures 62. Each of these protruding cavernous structures 62 are rectangular in a shape formed by walls 64. The protruding structures 62 of FIG. 4 are shown having a rectangular shape. While the rectangular shape is suitable, its presentation here is for purposes of example. Other shapes such
30 as cylindrical, rhomboid, etc., or even irregular will suffice to accomplish the desired goal of forming channels during evacuation.

 During evacuation of the vacuum packaging bag, primary channels such as 68 are formed external to the protruding cavernous structures 62 and secondary channels such as 70 are formed through corners the walls 64 and internal to the protruding cavernous structures 62. Note that

the exact location of the secondary channels 70 is not paramount. The channels 68 and 70 enable effective evacuation of the vacuum packaging bag, as they tend to prevent gas from being trapped due to stored product blockage and the collapse of the vacuum packaging bag. In one embodiment, the pattern of the protruding cavernous structures 62 is formed only on the inner
 5 layer of vacuum packaging bag through a hot casting process, described in more detail below.

With further reference to FIG. 4, the walls 64 create an open ended internal cavity 72 within each protruding cavernous structure 62. The secondary channels 70 allow evacuation through the internal cavities 72; however some fluid may still be trapped in the internal cavities 72, thereby tending to generate a better evacuation process.

10 FIG. 5 illustrates a patterned film 80 according to another embodiment of the present invention. The patterned film 80 is formed with a plurality of protruding cavernous structures such as structures 81 - 83. Each of these protruding cavernous structures 82 are rectangular in a shape formed by walls.

The variety of protruding cavernous structure shown in FIG. 5 serve to illustrate the
 15 principal that any cavity creating a channel through a protruding structure will serve to create the desirable secondary channels taught by one aspect of the present invention. Again, while the rectangular shape is suitable, its presentation here is for purposes of example. Other shapes such as cylindrical, rhomboid, etc., or even irregular will suffice to accomplish the desired goal of forming channels during evacuation.

20 FIGS. 6A - 6B provide an isometric illustration of a multi-layer film 100 in accordance with one embodiment of the present invention. The multi-layer film 100 includes a gas impermeable layer 102, a structural layer 104, and a patterned heat-seal layer 106. As seen in FIG. 6A, the gas impermeable layer has a substantially flat surface, at least from a macroscopic viewpoint. In contrast, the patterned heat-seal layer 106 has a plurality of structural protrusions
 25 108. The structural protrusions 108 may take any suitable form such as the protrusions of FIG. 1 and the cavernous protrusion described above with reference to FIGS. 2 - 5.

As will be appreciated, the embodiment of FIGS. 6A - 6B is merely illustrative. The present invention contemplates a variety of multi-layer films made from a variety of materials particularly nylon materials, and with different combinations of layer as required by the specific
 30 application. One apparatus and process for manufacturing such a film is described below with reference to FIG. 10.

FIGS. 7 - 9 illustrate three possible pattern layouts 120, 130, and 140. The pattern layout 120 is wave or sinusoidal form 122 upon which a plurality of protruding structures 124 are disposed. The pattern layout 130 is an opposing zigzag pattern 132 upon which a plurality of

protruding structures 134 are disposed. The pattern layout 140 is an irregular or pseudo-random pattern 142 upon which a plurality of protruding structures 144 are disposed. As will be appreciated, the three layouts of FIGS. 7 – 9 provide example layouts and a variety of layouts will result in the desired formation of evacuation channels.

5 The present invention contemplates vacuum packaging films that may seal into bags through a variety of mechanisms. For example, the bag material itself may include one or more heat sealable layers. As described below with reference to FIGS. 10 – 11, the bag material may be peelably heat sealable (easy to peel) and even capable of being both peelably sealable and permanently sealable. Alternatively, the bag may be heat sealed on one or more sides, and closed
10 by some other mechanism such as a zipper or ziplock mechanism on the other sides.

FIG. 10 illustrates a multi-layer film 150 according to another embodiment of the present invention. The film 150 includes a structural layer 152, a bonding layer 154, a gas impermeable layer 156, a bonding layer 158, and a peelably sealable layer 160. Bond layers 154 and 158 act to laminate opposing layers. The structural layer 152 provides strength to the film 150 so that it is particularly useful as a vacuum packaging bag material. The gas impermeable layer 156 tends to
15 inhibit gas flow across the film 10.

The peelably sealable layer 160 includes a resin or other material that through pressure, heat or other sealing enabler, will form a peelable seal. The peelable seal will be capable of holding a vacuum level in an evacuated bag, yet will be manually peelable by a user. In certain
20 embodiments, the vacuum internal to the bag will tend to maintain the seal, thus making this operation even easier. In other embodiments, the pressure arising from the internal vacuum is sufficient to maintain the peelable seal. In preferred embodiments, the peelably sealable layer will have a pattern of protruding structures formed thereon.

A variety of materials are well suited for the material of the peelably sealable layer 160. For example, the material of peelably sealable layer 160 may include polyethylene, polyester, ethylene vinyl acetate, etc., and resins thereof. Typical vacuum packaging appliances operate their heat sealing mechanisms in temperature ranges of 100 degrees Celsius to 200 degrees Celsius. Therefore certain embodiments of the present invention teach materials which will form the peelably sealable bond within that temperature range. Other embodiments of the present
25 invention teach materials which peelably seal within ranges outside current appliances. In these embodiments, the home vacuum packaging appliances must be designed accordingly.

The present invention also contemplates forming the peelably sealable layer 160 out of material that may form a permanent seal under a first set of conditions, and a peelable seal under a second set of conditions. For example, the material may form a peelable seal under sealing

pressure and temperature conditions of the typical home vacuum packaging appliance. Under more extreme pressure and/or temperature conditions, the material of this embodiment forms a permanent bond. This is useful in that bags and bag rolls with preformed permanent seals can be manufactured and sold to the consumer. The consumer in turn can form the final fourth seal with a peelably sealable bond using a standard appliance. This is preferable in certain circumstances, as only one peelable seal is necessary for easy access to the content of the bag.

FIG. 11 illustrates a multi-layer film 200 in accordance with another embodiment of the present invention. The film 200 includes a structural layer 202, a bond layer 204, a gas impermeable layer 206, a bond layer 208, a permanent sealing layer 210, a bond layer 212, and a peelably sealable layer 214. As described above with reference to FIG. 10, under certain circumstances there are advantages to having a film with permanent sealing capabilities. The film 200 includes the permanent sealing layer 210 that under certain conditions can be used to generate a permanent bond.

Those skilled in the art will readily recognize that the peelably sealable films of the present invention may be beneficially designed with patterns therein or upon. As described in much detail above, patterned film has the property of tending to form air channels during evacuation of a bag made from such patterned material, the air channels tending to improve evacuation of these bags. Suitable patterns include waffle-shaped, straight-lined, zigzag, speckled and random patterns.

Extrusion processes such as may form the multi-layer films described below with reference to FIG. 13, or through embossing.

FIG. 12 illustrates a vacuum packaging bag 250 storing product 40 in accordance with one embodiment of the present invention. The bag 250 has been evacuated and seals 252 – 258 have been formed. Depending upon the application and the film used for the bag material, at least one of the seals 252 – 258 is a peelable seal. The other seals may be formed as permanent seals, if the film and available equipment permits, and may also be formed as peelable seals. The bag 250 has at least one inner surface patterned with a plurality of protruding structures such as those described above with reference to FIGS. 1 – 9.

FIG. 13 illustrates an apparatus 400 for manufacturing bag material in accordance with one embodiment of the present invention. The apparatus 400 includes a multi-layer extruder 402 for extruding a first film sheet, a patterned cooling roller 404, a laminating roller 406, a second film source 408 providing a second film sheet, a sealing mechanism 410, and a bag roll 412 (also shown in FIG. 14).

The multi-layer extruder 402 extrudes one or more materials for forming the bag material. This may include heat-sealable material, peelably sealable material, structural material and/or gas impermeable material.

5 The patterned cooling roller 404 forms a pattern on the bag material that causes air channels to form during and aid in evacuation of the bag. The pattern follows any of those patterns described above with reference to FIGS. 1 – 9 as well as other suitable embodiments. The laminating roller 406 applies the extruded material onto the cooling roller 404 so that the pattern is properly formed on the bag material. Alternatively, other mechanisms such as an airknife or a vacuumed roller may form the pattern.

10 The preformed film source 408 is a source of film for the second sheet of the bag material. The source 408 may be another extruding mechanism, cooling roller, etc., or may simply be a roll of already formed film. The second sheet of film may or may not be patterned. The heat sealing mechanism 410 is arranged to bond the first and second sheets of film on outer opposing edges. The bag material formed on bag roll 412 is a roll of bag material having seals on opposing sides.
15 FIG. 14 is an isometric view of the roll of patterned bag material produced by the apparatus of FIG. 13 according to still another embodiment of the present invention. The seals may be permanent seals or peelably sealable, depending upon the film material, the conditions imposed by the sealing mechanism, etc. The bag material is later cut up into bag pouches either by the consumer, or at a next stage of manufacturing for generating preformed bags for the user.

20 FIG. 15 is an isometric view of a vacuum packaging appliance 500 in accordance with one embodiment of the present invention. Operation and manufacture of such appliances are well known in the art. The appliance 500 includes a heat-sealing mechanism 502 and a control panel 504. The appliance 500 is well suited for use with a film of the present invention having a heat sealable layer.

CLAIMS:

1. A vacuum packaging film suitable for use in forming a vacuum packaging bag, said vacuum packaging film comprising a plurality of protruding cavernous structures formed on a surface of said vacuum packaging film intended as an inner surface of said vacuum packaging bag.
2. A vacuum packaging film as recited in claim 1, wherein said cavernous structures are substantially rectangular.
3. A vacuum packaging film as recited in claim 2, wherein said cavernous structures are each essentially a four walled rectangular structure forming a rectangular cavity.
4. A vacuum packaging film as recited in claim 3, wherein said four walled rectangular structure has at least one channel from an outside of the walled rectangular structure into said rectangular cavity.
5. A vacuum packaging film as recited in claim 3, wherein said four walled rectangular structure has a channel through each wall from an outside of the walled rectangular structure into said rectangular cavity.
6. A vacuum packaging film as recited in claim 3, wherein said four walled rectangular structure has a channel through each corner from an outside of the walled rectangular structure into said rectangular cavity.
7. A vacuum packaging film as recited in claim 1, wherein said protruding cavernous structures are cylindrical.
9. A vacuum packaging film as recited in claim 1, wherein said protruding cavernous structures each have a single cavity.

8. A vacuum packaging film as recited in claim 7, wherein each protruding cavernous structure has at least one channel connecting an outside of said cavernous structure to said single cavity.
9. A vacuum packaging film as recited in claim 1, wherein each of said protruding cavernous structures has two or more cavities.
10. A vacuum packaging film as recited in claim 1, wherein said vacuum packaging film is made from nylon material.
11. A vacuum packaging film as recited in claim 10, wherein said nylon material includes a polyester.
12. A vacuum packaging film as recited in claim 10, wherein said nylon material includes a polypropylene.
13. A vacuum packaging film as recited in claim 10, wherein said nylon material includes an ethylene vinyl acetate.
14. A vacuum packaging film as recited in claim 1, wherein plurality of protruding cavernous structures are arranged in a pattern that operates to form channels suitable for evacuation of gas when said film is used in the creation of a vacuum packaging bag.
15. A vacuum packaging film as recited in claim 14, wherein said pattern is a wave pattern.
16. A vacuum packaging film as recited in claim 14, wherein said pattern is a crisscross pattern.

17. A vacuum packaging film as recited in claim 14, wherein said pattern is a straight- line pattern.

18. A vacuum packaging film as recited in claim 14, wherein said pattern is an irregular pattern.

19. A vacuum packaging film as recited in claim 14, wherein said pattern is a zigzag pattern.

20. A multi-layer film suitable for use in forming a vacuum packaging bag, said multilayer film comprising: a patterned inner layer having a plurality of cavernous structures, said cavernous structures arranged in a pattern to form channels suitable for evacuation of gas when said multilayer film is used to form a vacuum packaging bag; and an outer layer coupled with said patterned inner layer, said outer layer having a substantially flat outer surface.

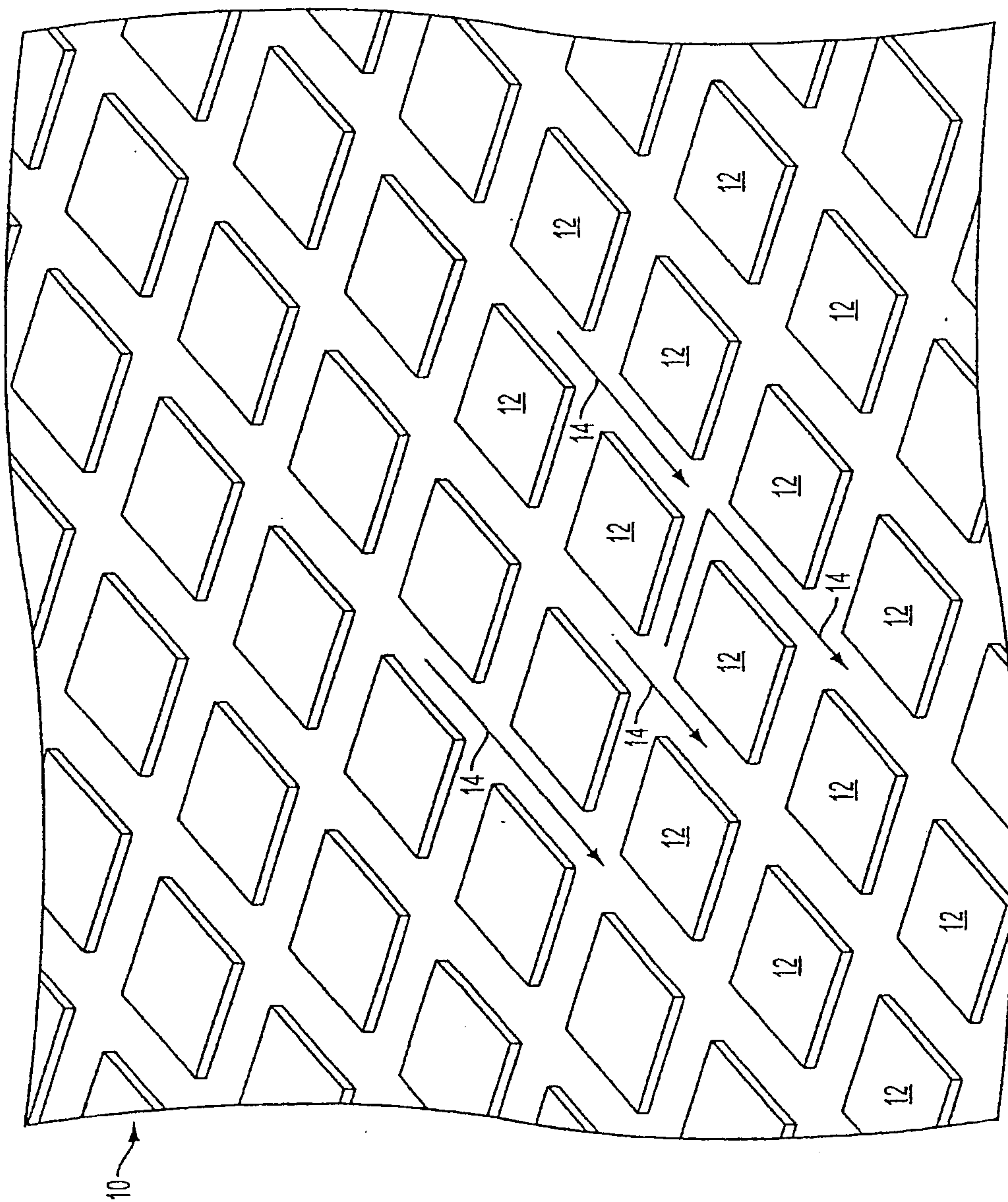


FIG. 1

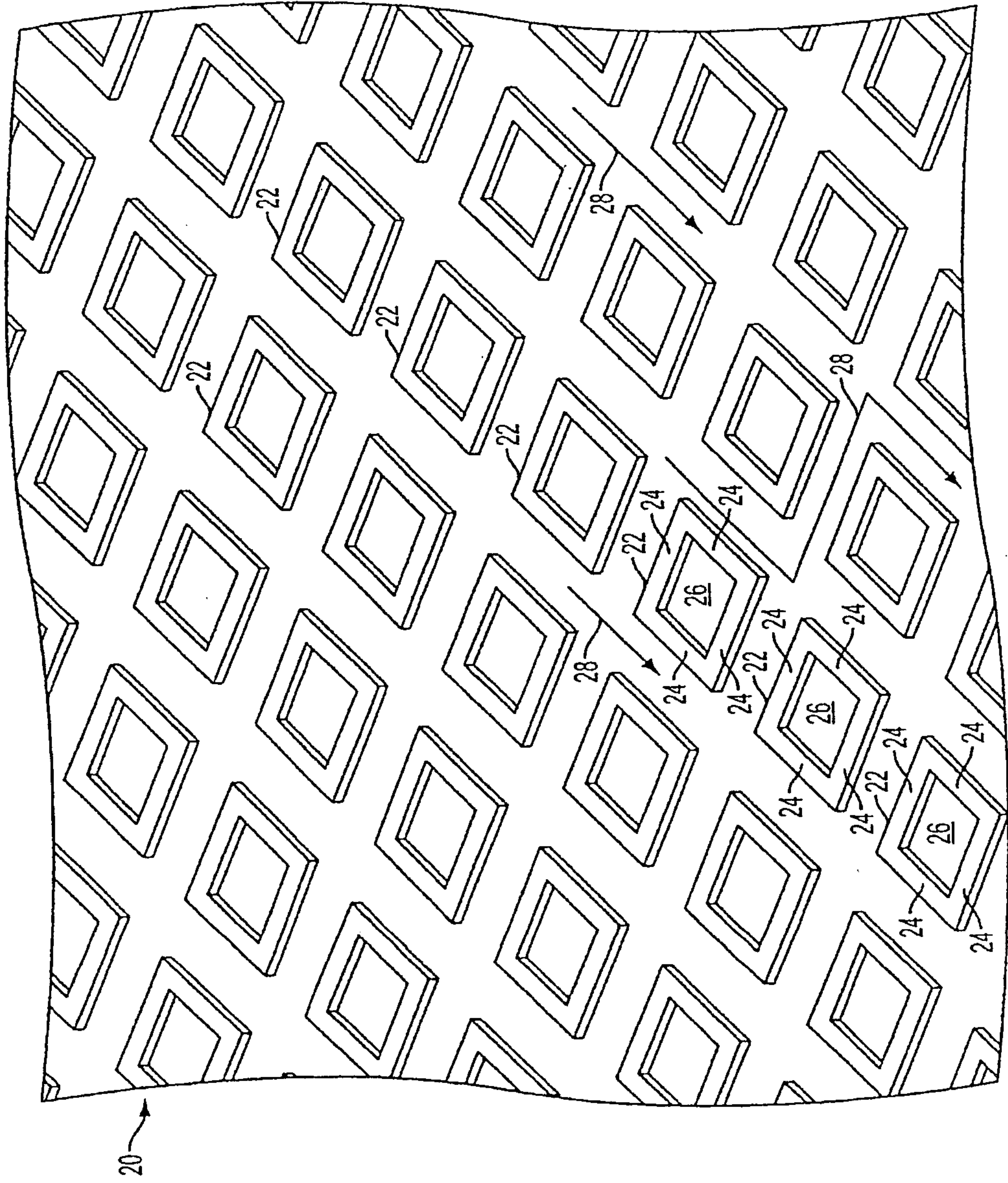


FIG. 2

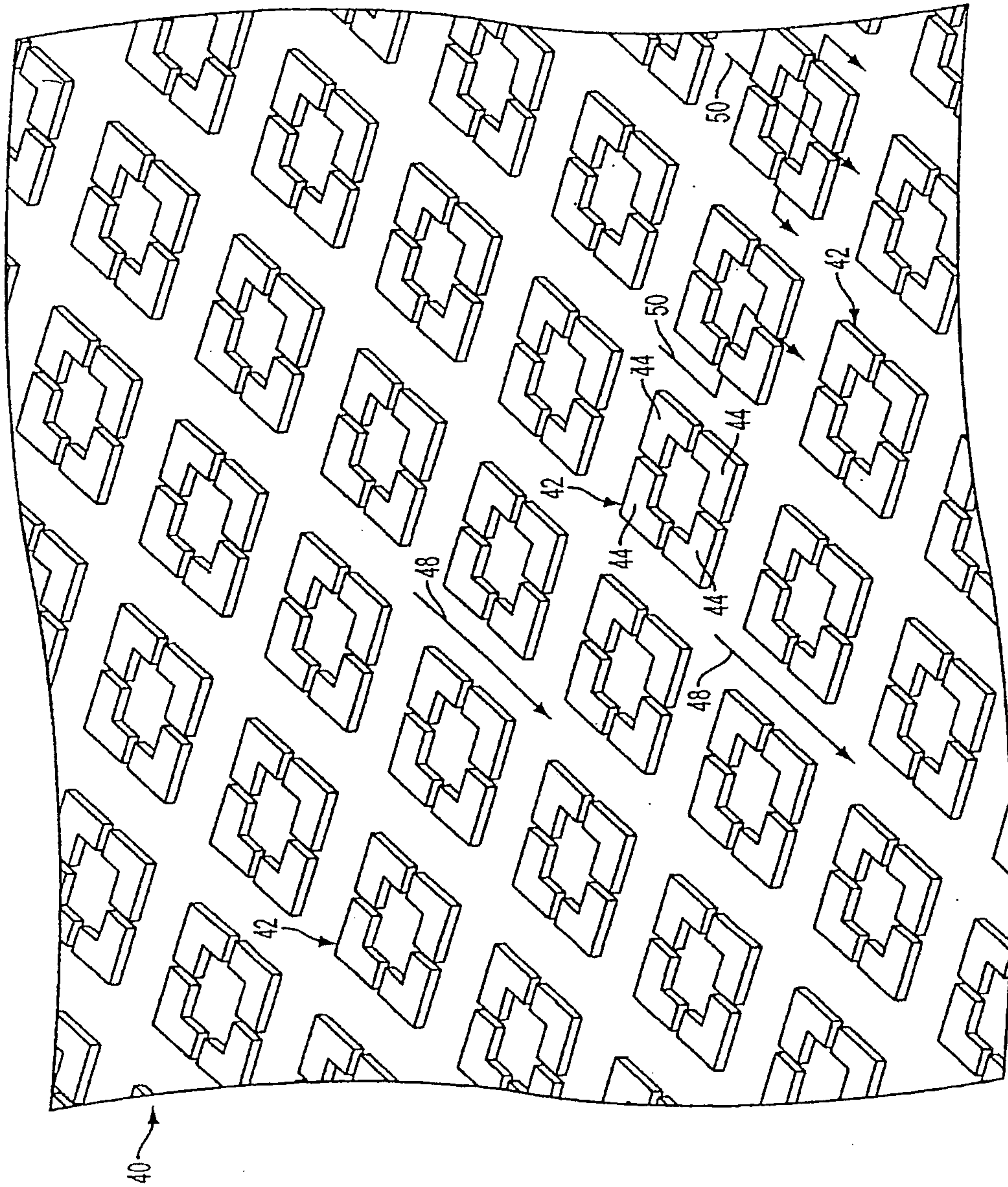


FIG. 3

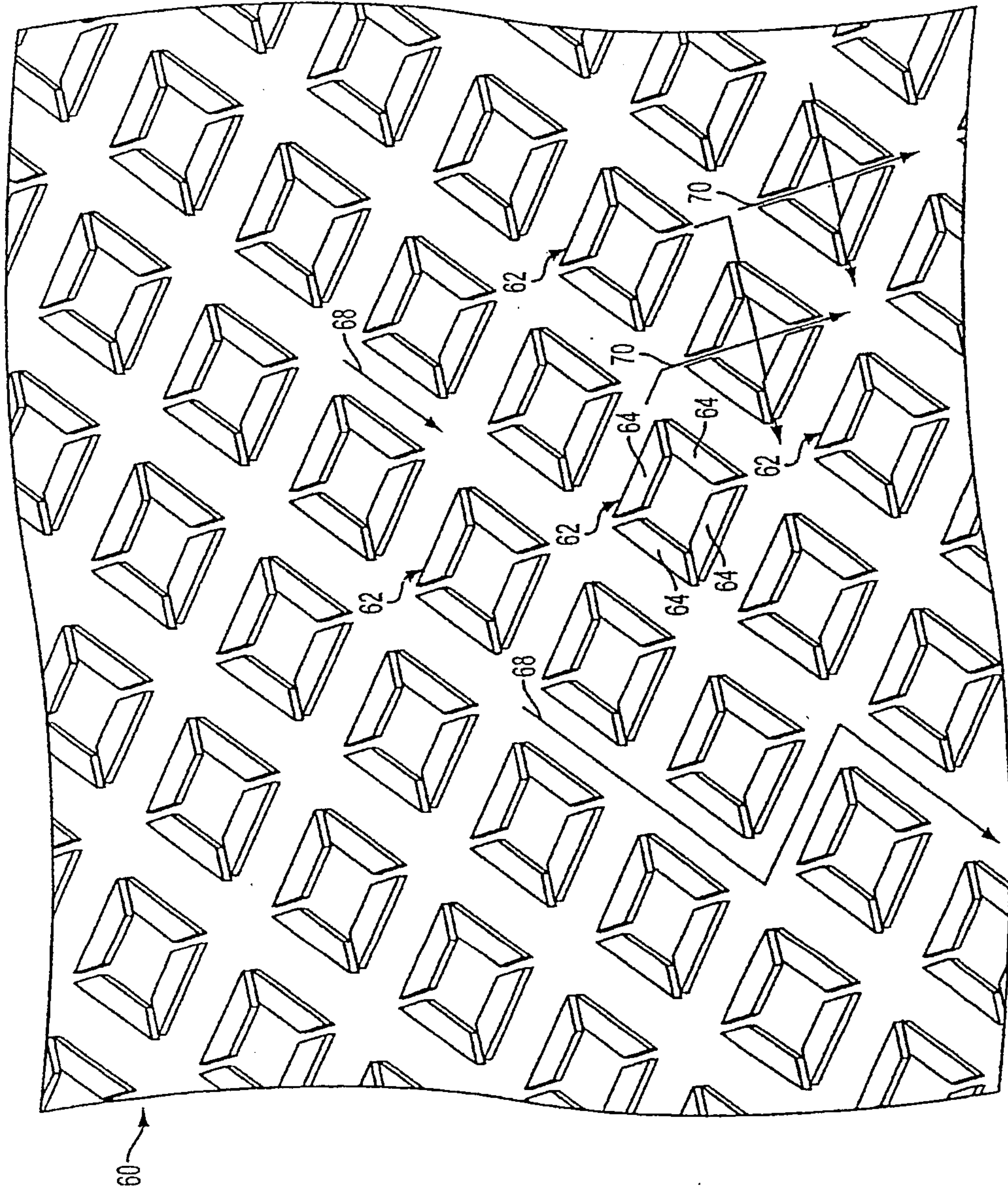


FIG. 4

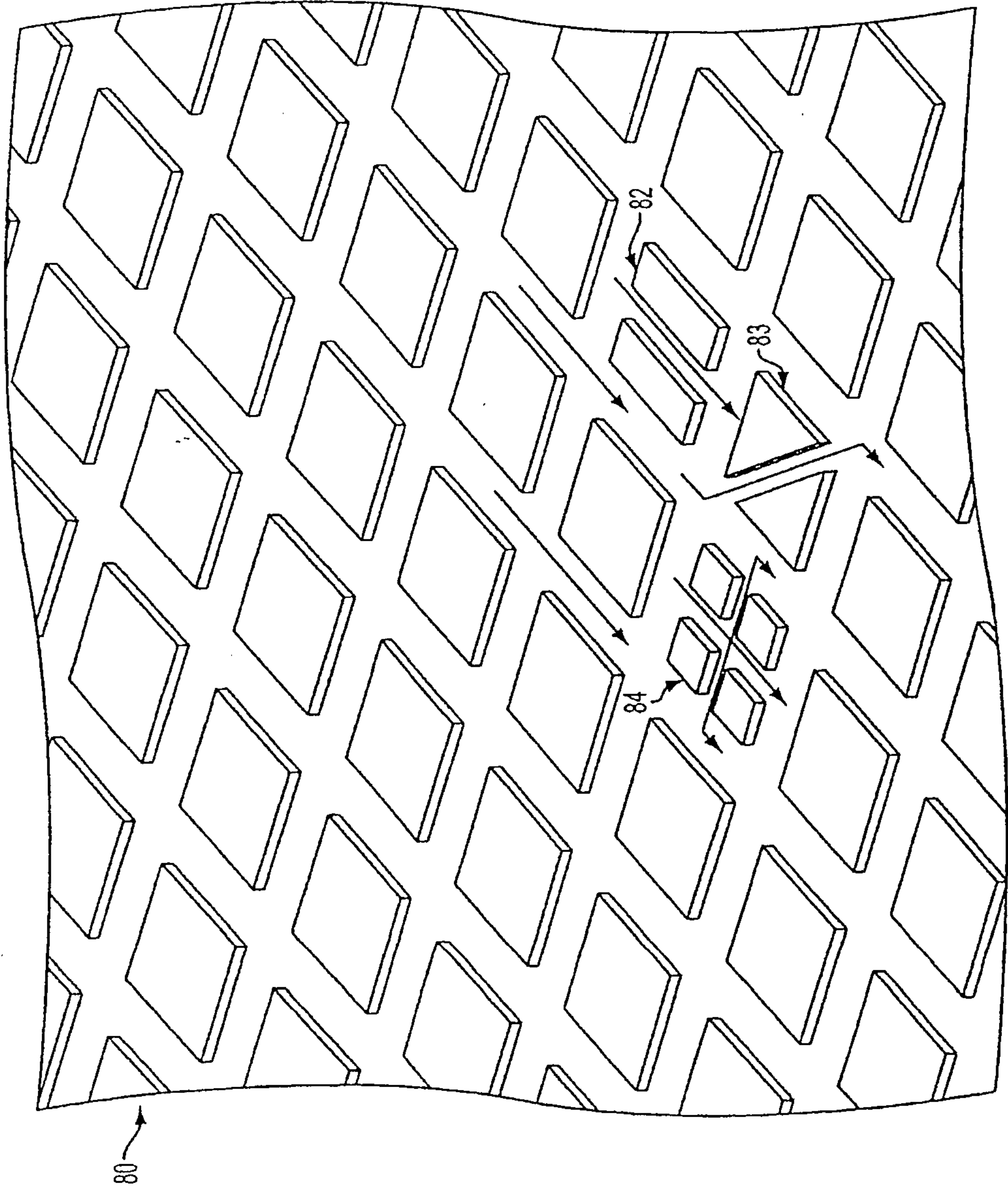


FIG. 5

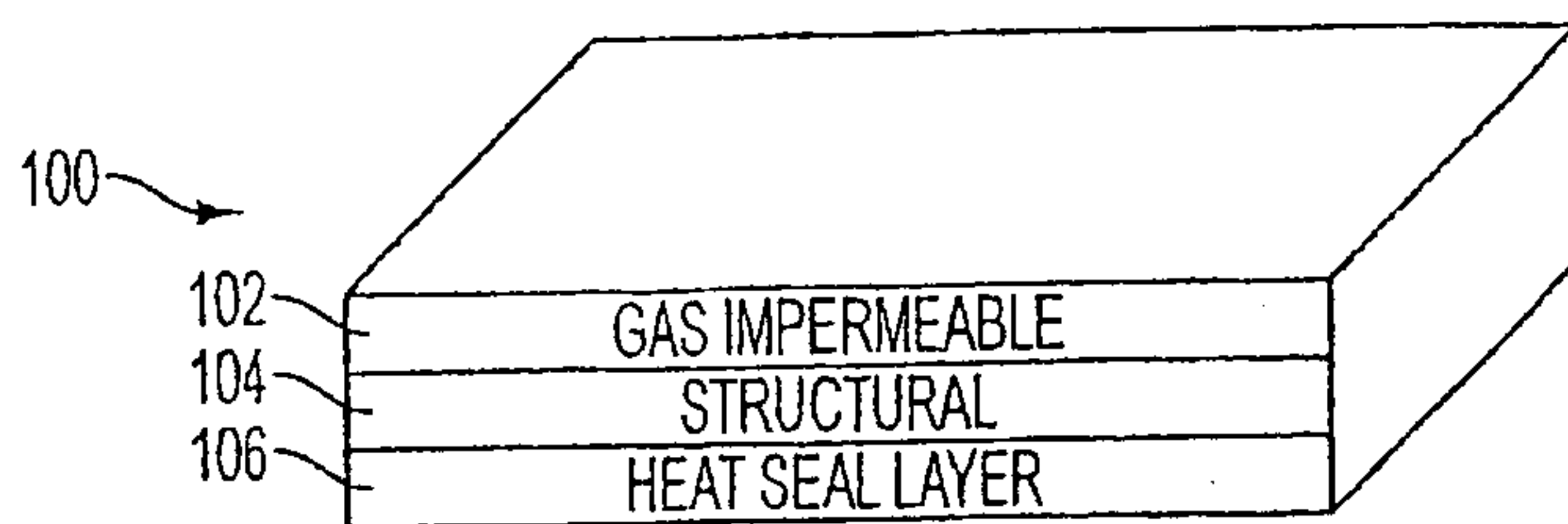


FIG. 6A

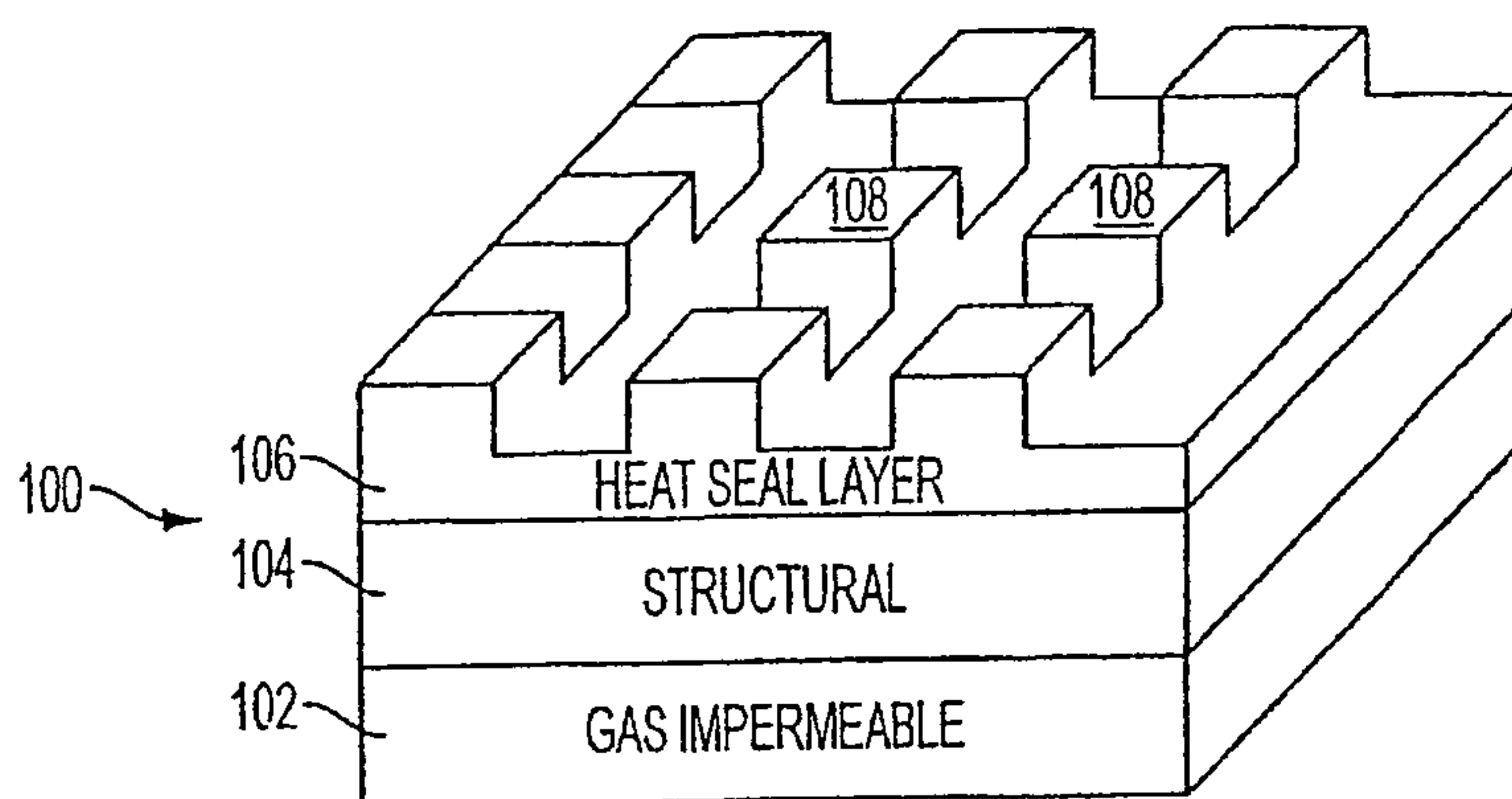


FIG. 6B

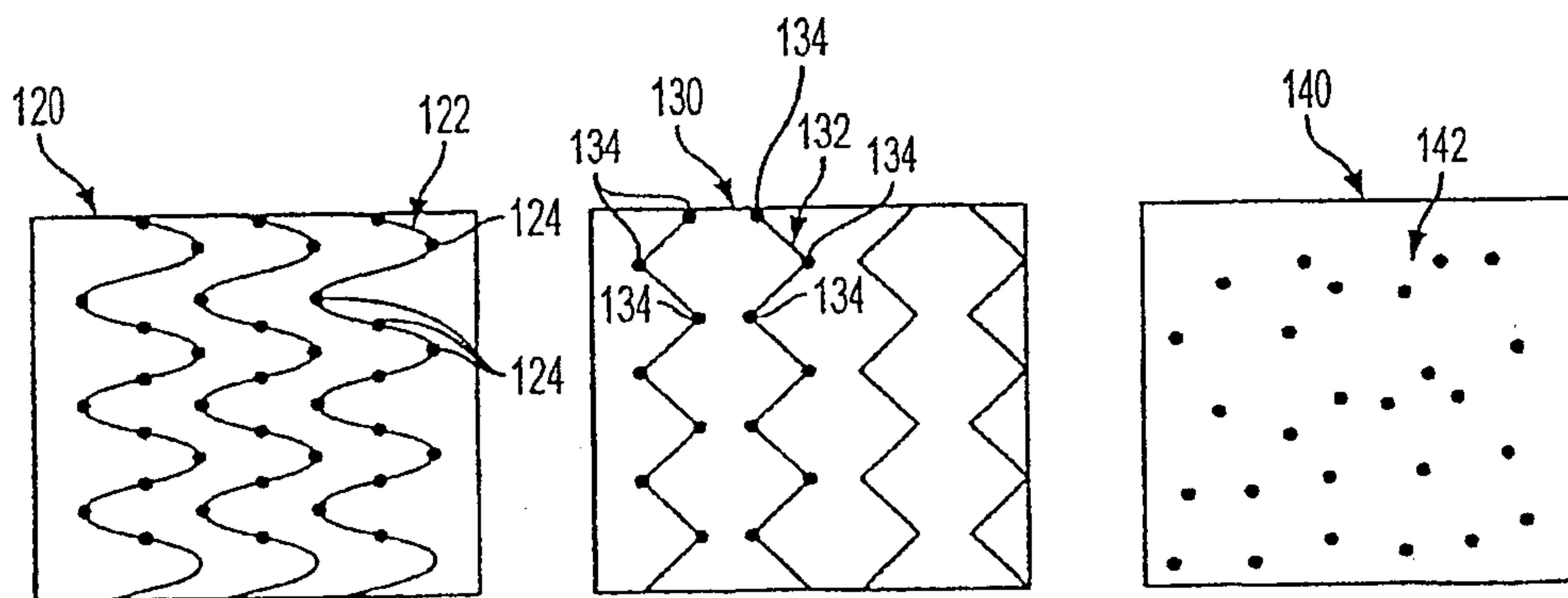


FIG. 7

FIG. 8

FIG. 9

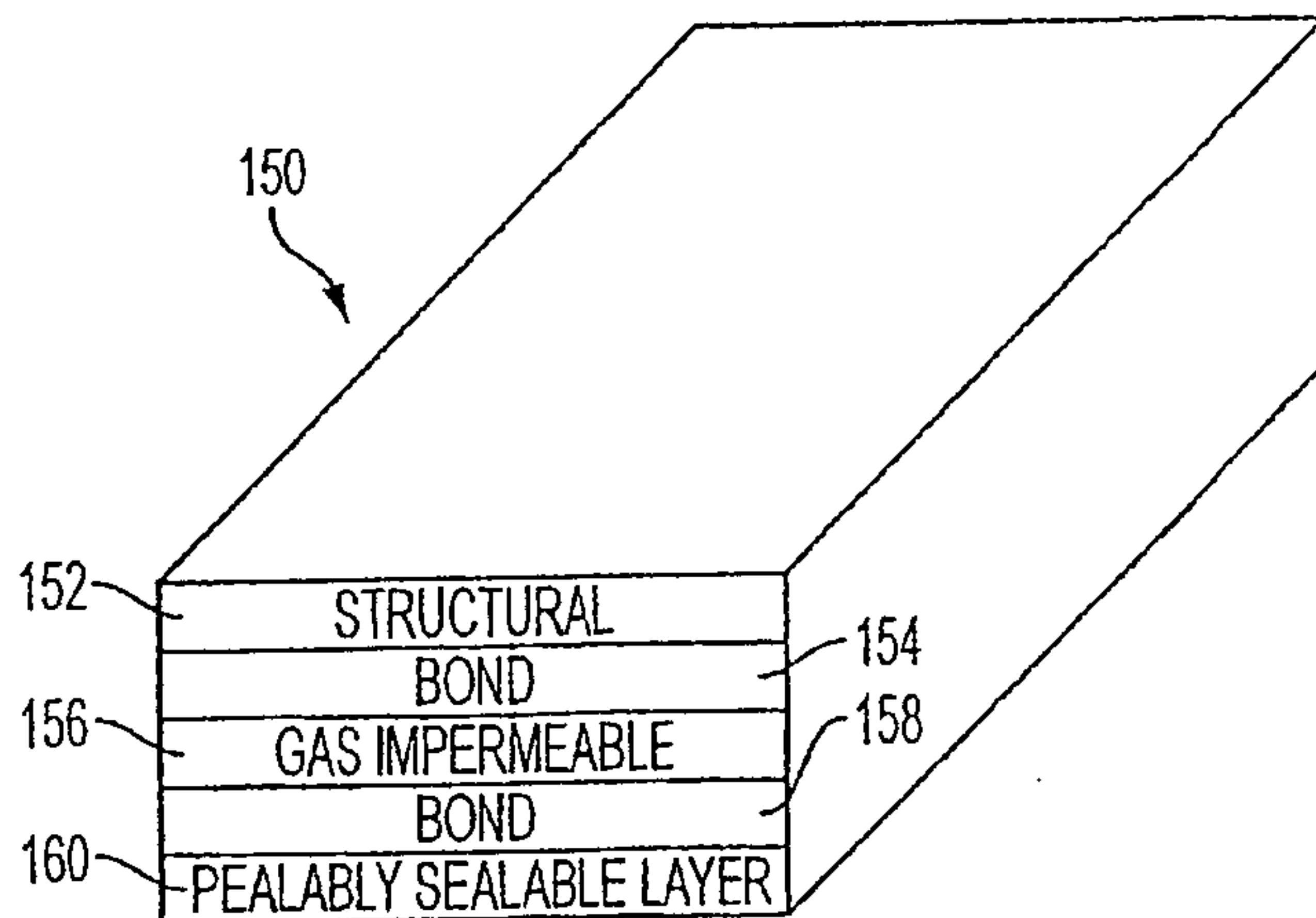


FIG. 10

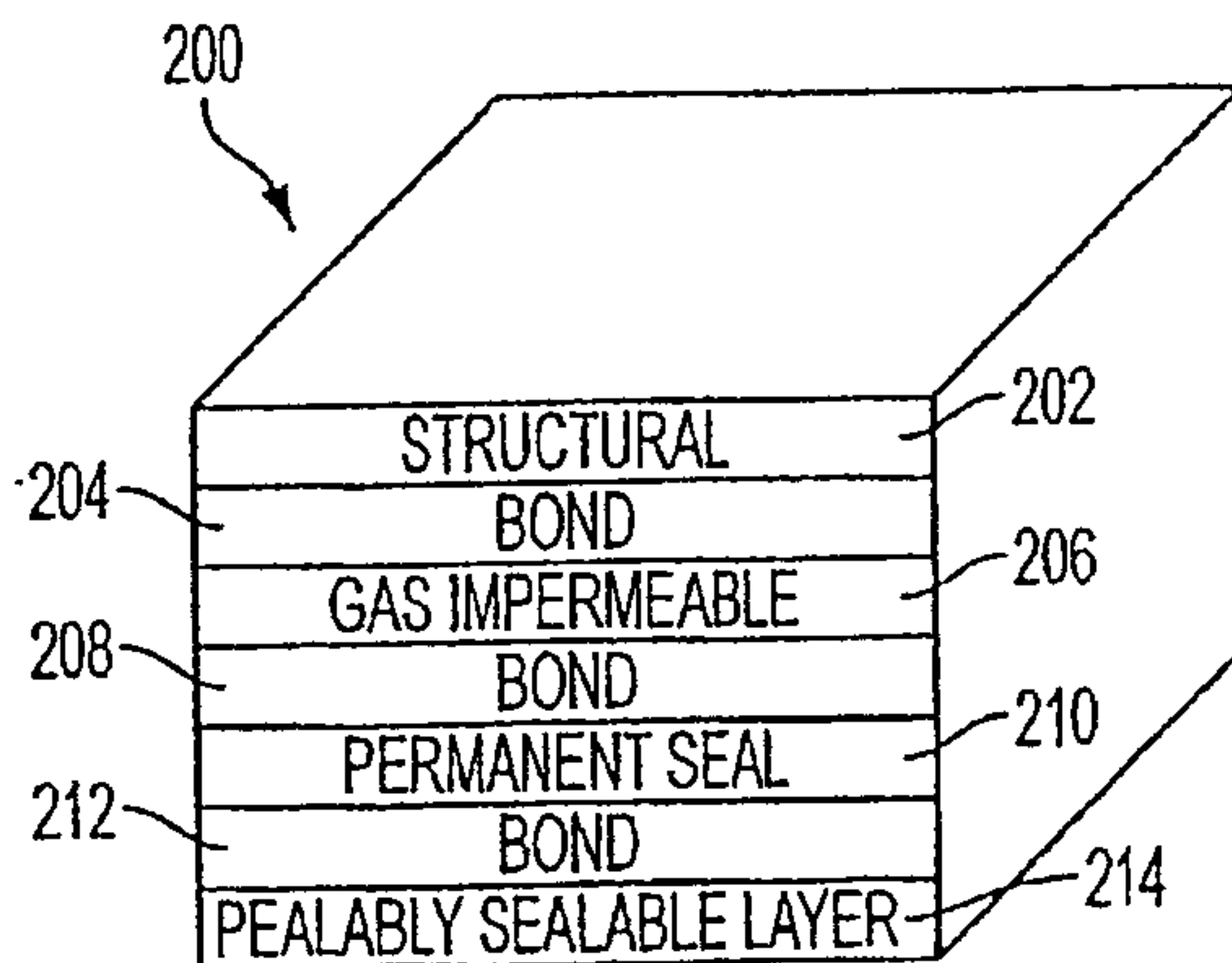


FIG. 11

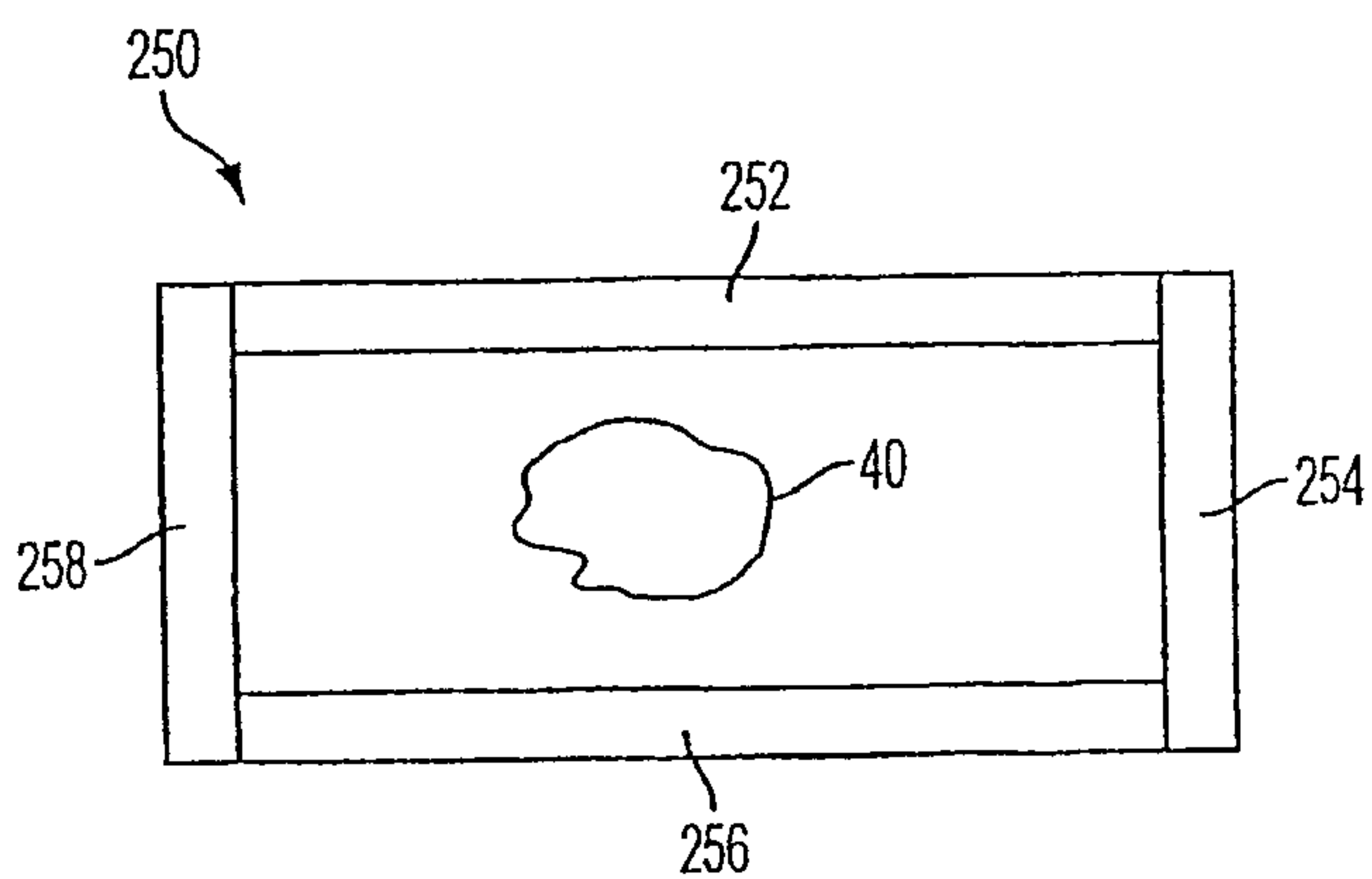


FIG. 12

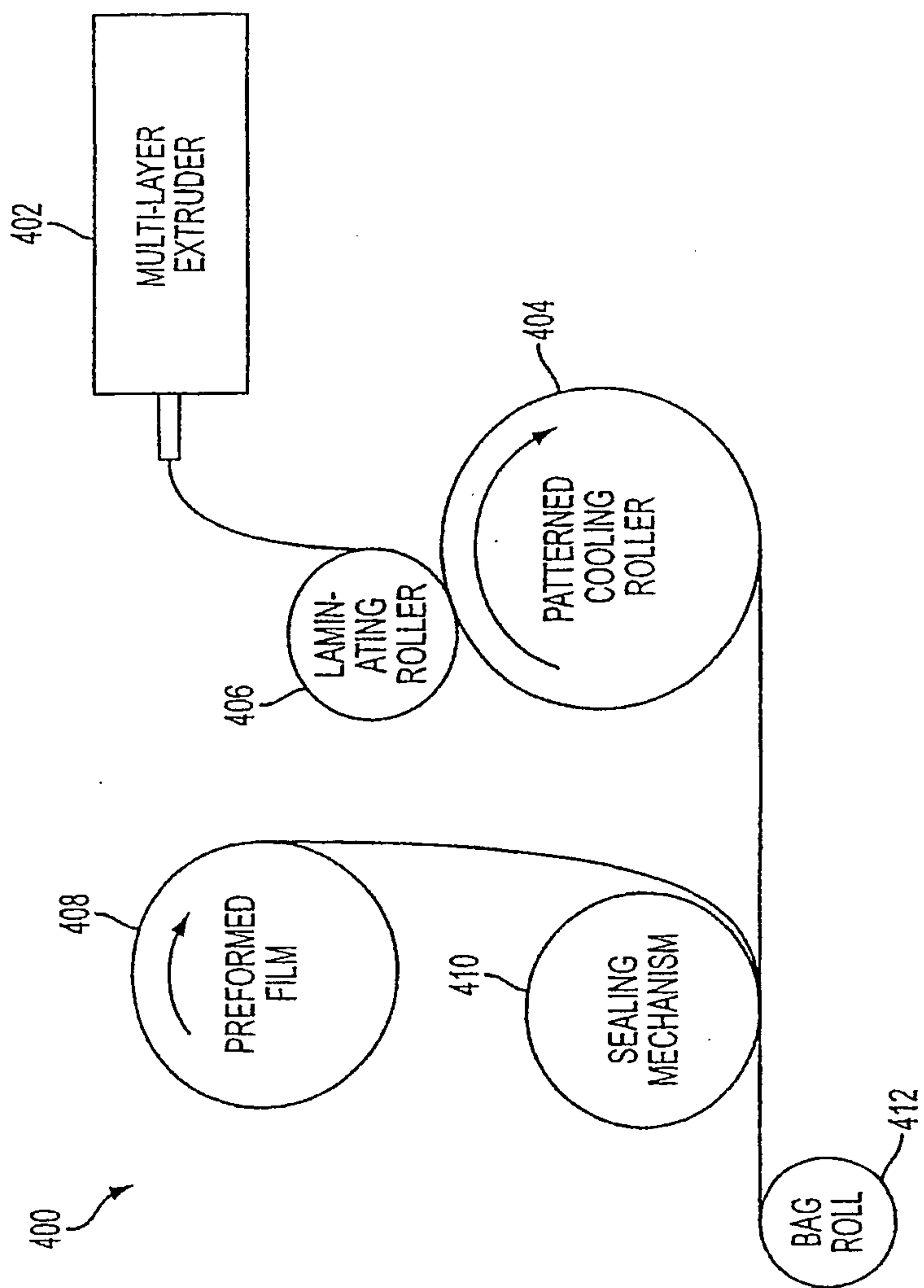


FIG. 13

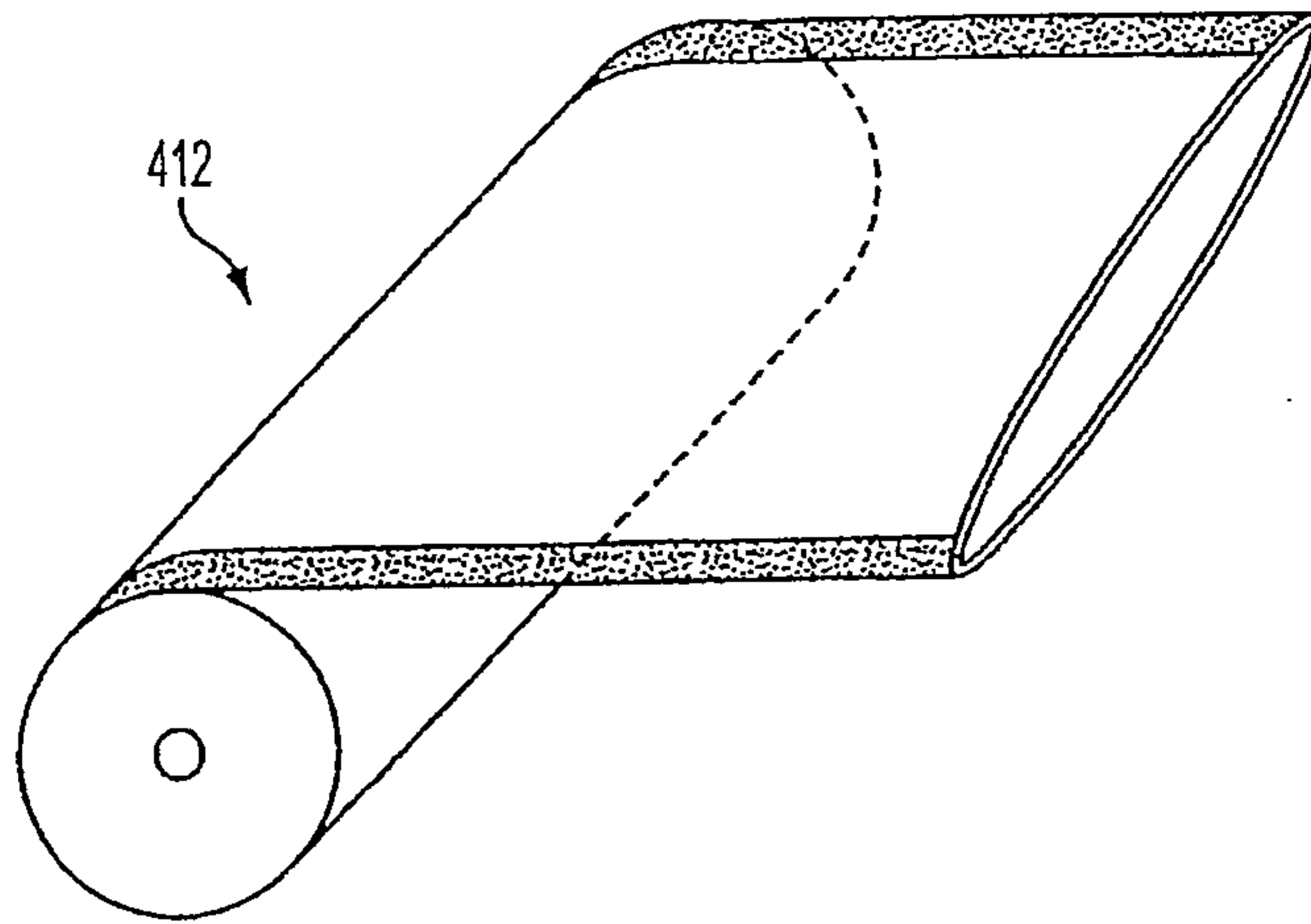


FIG. 14

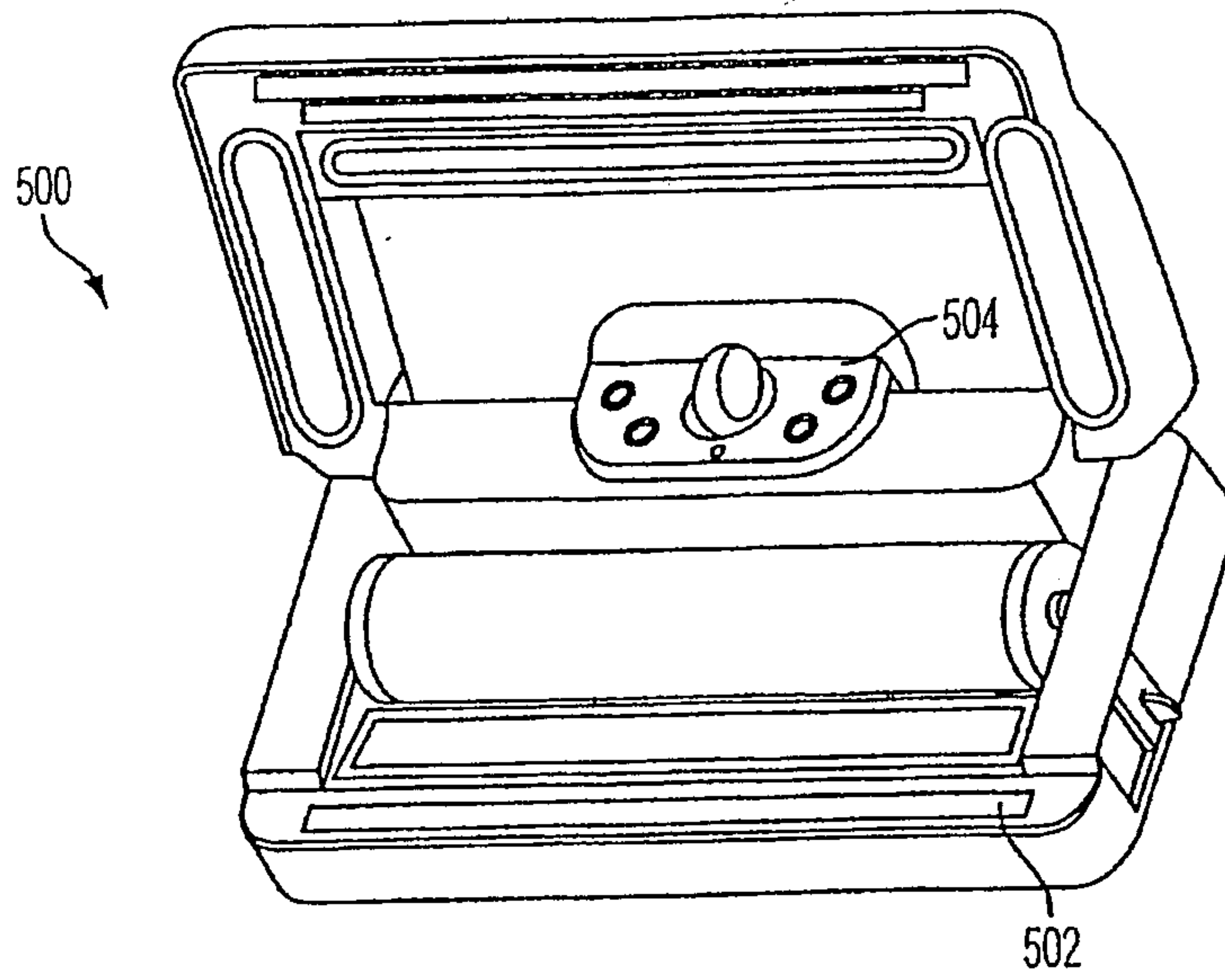


FIG. 15

20

