



(12) **United States Design Patent**  
**Woods et al.**

(10) **Patent No.:** **US D1,023,862 S**  
(45) **Date of Patent:** **\*\* Apr. 23, 2024**

- (54) **RESURFACING TOOL FOR A YAW DISC BRAKE**
- (71) Applicant: **S.B. Patent Holding ApS**, Vejstrup (DK)
- (72) Inventors: **James A. W. Woods**, Vejstrup (DK); **Stefan Hareskov Rasmussen**, Vejstrup (DK)
- (73) Assignee: **S.B. Patent Holding ApS**, Vejstrup (DK)

4,854,199 A \* 8/1989 Norman ..... B23B 5/04  
451/434  
D365,735 S \* 1/1996 Fells ..... D8/14  
8,317,462 B2 \* 11/2012 Daniels ..... F16D 66/026  
415/118  
10,989,168 B2 \* 4/2021 Woods ..... F16D 55/225  
2004/0146370 A1 \* 7/2004 Emter ..... B23C 3/00  
409/317  
2015/0337804 A1 \* 11/2015 Jensen ..... F03D 7/0248  
416/169 R  
2020/0063711 A1 \* 2/2020 Glaentz ..... F16D 55/28

\* cited by examiner

(\*\*) Term: **15 Years**

*Primary Examiner* — Susan E Krakower

*Assistant Examiner* — Jerry Shiuan-Hua Hsu

(21) Appl. No.: **29/830,532**

(74) *Attorney, Agent, or Firm* — Reising Ehtington P.C.

(22) Filed: **Mar. 14, 2022**

(30) **Foreign Application Priority Data**

(57) **CLAIM**

Sep. 13, 2021 (EM) ..... 008681498-0002  
Sep. 13, 2021 (GB) ..... 6160986

The ornamental design for a resurfacing tool for a yaw disc brake, as shown and described.

(51) **LOC (14) Cl.** ..... **12-16**

(52) **U.S. Cl.**  
USPC ..... **D12/180**

**DESCRIPTION**

(58) **Field of Classification Search**  
USPC ..... D12/114, 122, 123, 126, 127, 160, 180,  
D12/400; D8/14; D13/115, 118, 122,  
D13/199  
CPC . B23C 3/00; B23B 5/04; F16D 66/026; F16D  
55/28; F16D 55/225; F03D 7/0248  
See application file for complete search history.

FIG. 1 is a front perspective view of a resurfacing tool for a yaw brake disc, showing out new design;  
FIG. 2 is a rear perspective view thereof;  
FIG. 3 is a right side view thereof;  
FIG. 4 is a left side view thereof;  
FIG. 5 is a top view thereof;  
FIG. 6 is a bottom view thereof;  
FIG. 7 is a rear view thereof; and,  
FIG. 8 is a front view thereof.

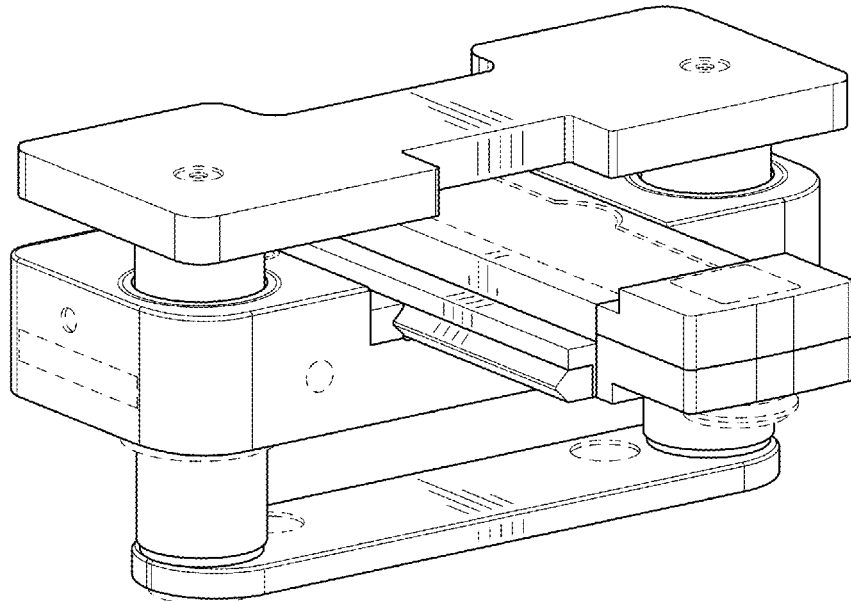
The broken lines in the drawings illustrate portions of the resurfacing tool for a yaw brake disc that form no part of the claimed design.

(56) **References Cited**

**U.S. PATENT DOCUMENTS**

4,336,730 A \* 6/1982 Kopecko ..... B23B 5/04  
82/112  
4,478,116 A \* 10/1984 Fuller ..... B23B 5/04  
82/112

**1 Claim, 4 Drawing Sheets**



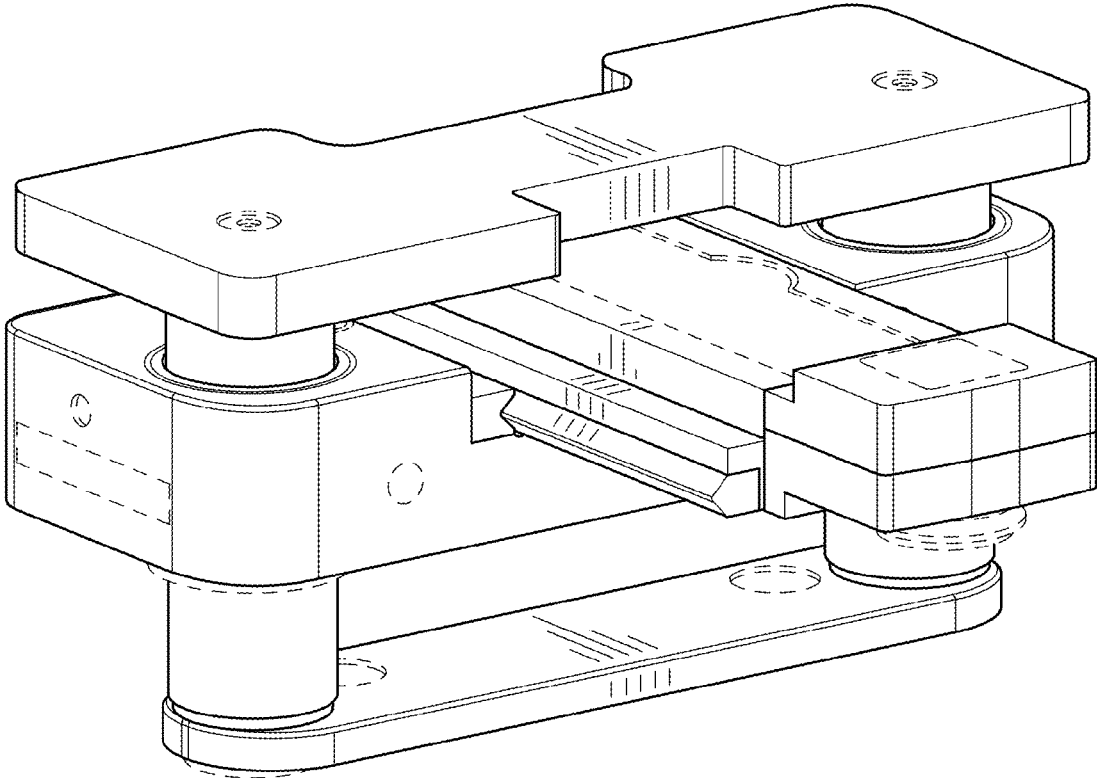


FIG. 1

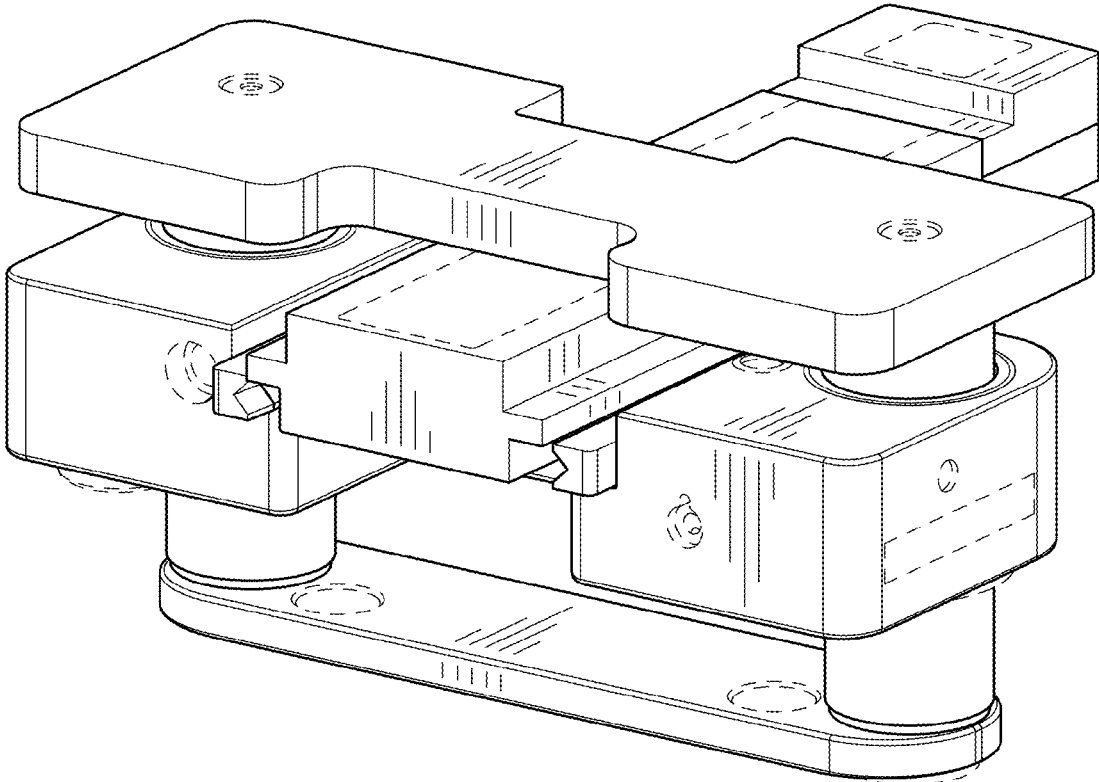


FIG. 2

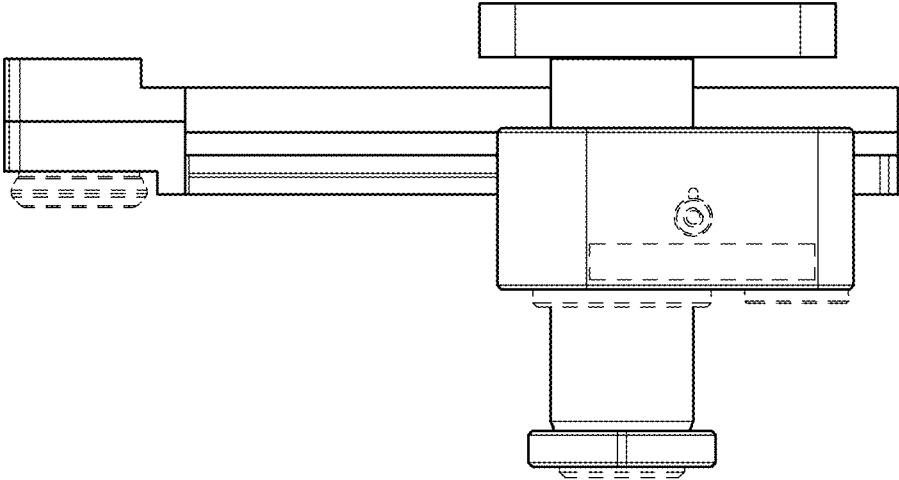


FIG. 3

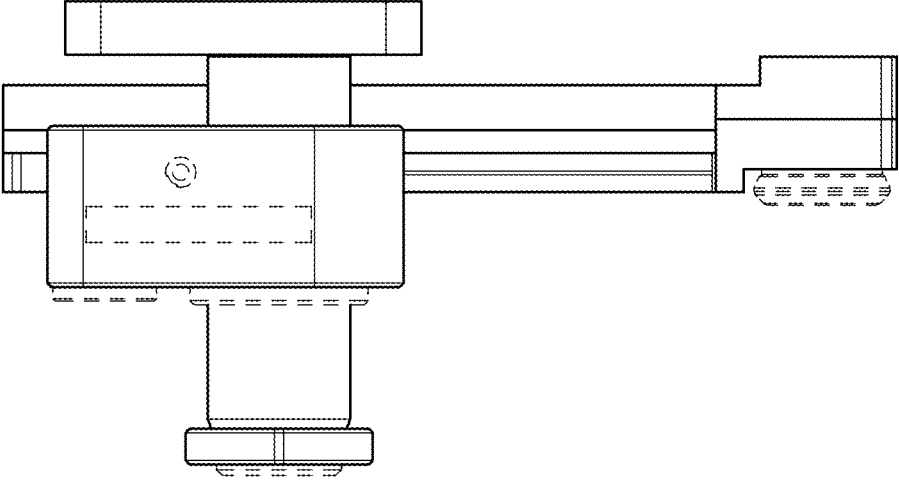


FIG. 4

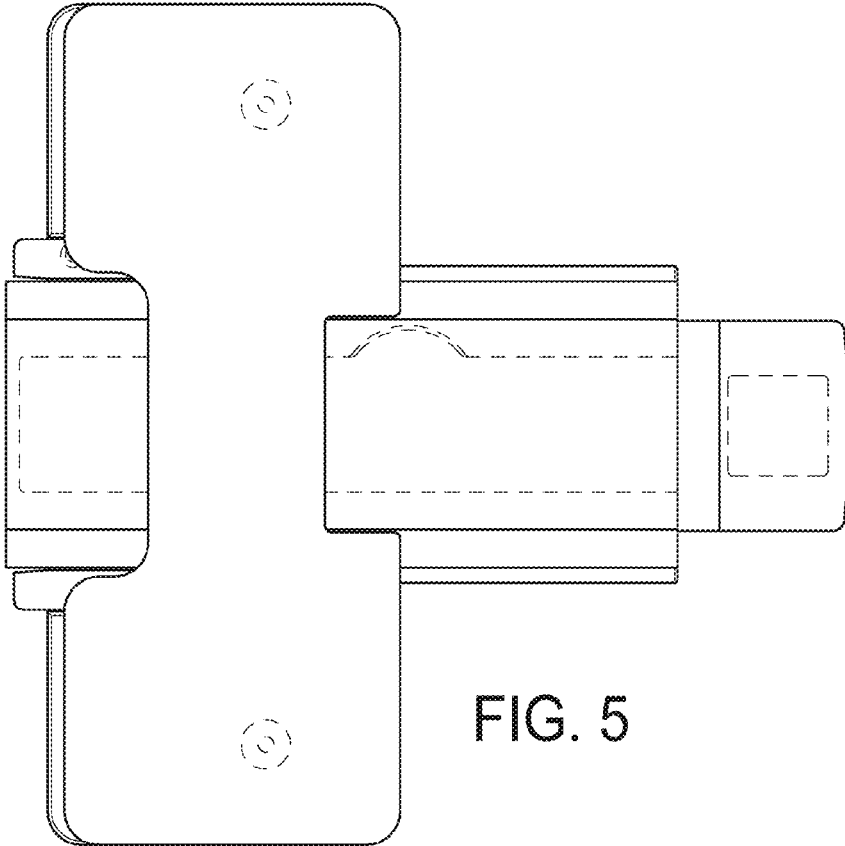


FIG. 5

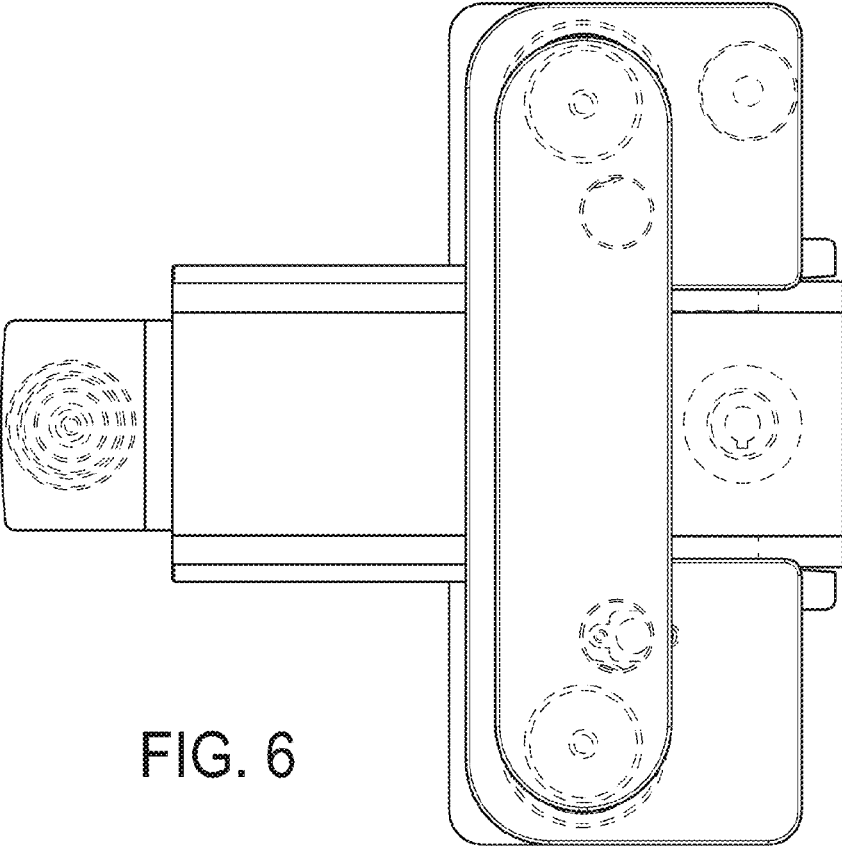


FIG. 6

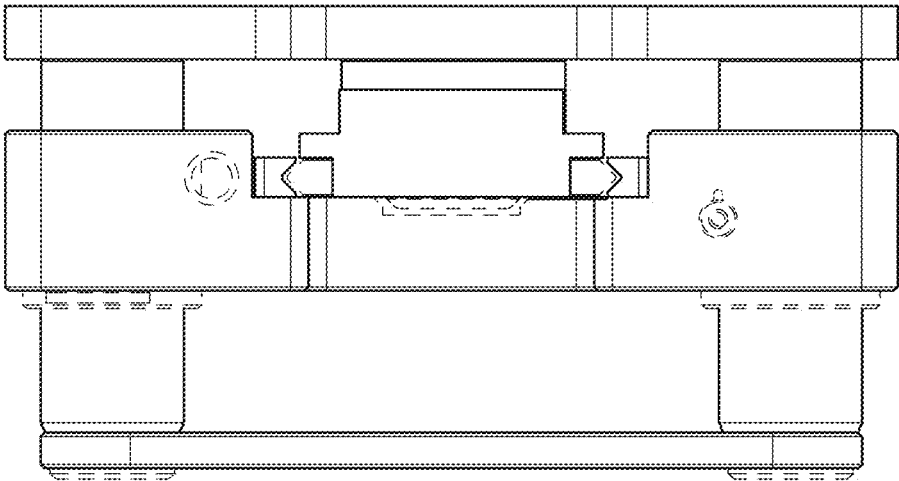


FIG. 7

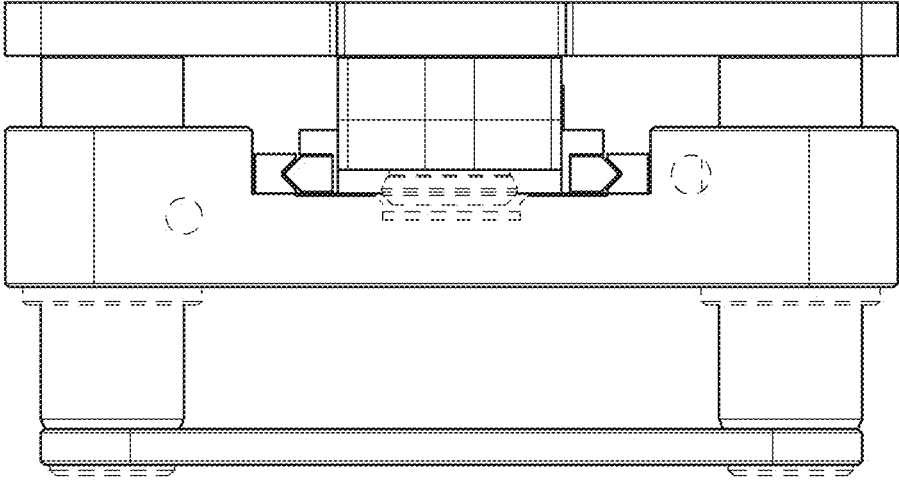


FIG. 8