



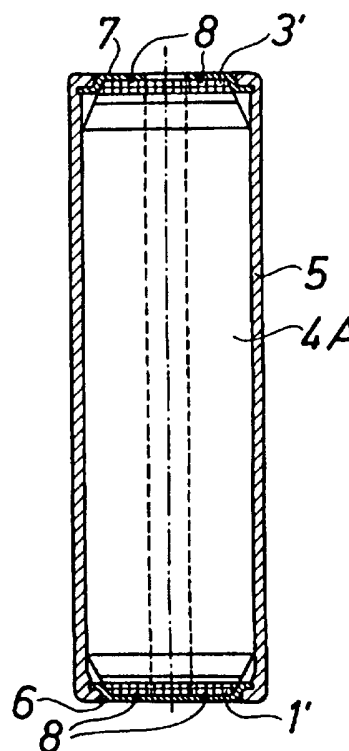
INTERNATIONAL APPLICATION PUBLISHED UNDER THE PATENT COOPERATION TREATY (PCT)

(51) International Patent Classification ⁶ : H01M 2/22	A1	(11) International Publication Number: WO 97/18594 (43) International Publication Date: 22 May 1997 (22.05.97)
<p>(21) International Application Number: PCT/SE96/01453</p> <p>(22) International Filing Date: 12 November 1996 (12.11.96)</p> <p>(30) Priority Data: 9504022-6 14 November 1995 (14.11.95) SE</p> <p>(71) Applicant (for all designated States except US): NI-ME HYDRID AB [SE/SE]; P.O. Box 88, S-383 22 Mönsterås (SE).</p> <p>(72) Inventors; and (75) Inventors/Applicants (for US only): BÄRRING, Nils-Erik [SE/SE]; Illervägen 11 B, S-572 42 Oskarshamn (SE). OHLSSON, Per-Åke [SE/SE]; Kulltorp 1405, S-388 91 Vassmolösa (SE).</p> <p>(74) Agents: STRÖM, Tore et al.; Ström & Gulliksson AB, P.O. Box 4188, S-203 13 Malmö (SE).</p>	<p>(81) Designated States: AL, AM, AT, AU, AZ, BB, BG, BR, BY, CA, CH, CN, CZ, DE, DK, EE, ES, FI, GB, GE, HU, IL, IS, JP, KE, KG, KP, KR, KZ, LK, LR, LS, LT, LU, LV, MD, MG, MK, MN, MW, MX, NO, NZ, PL, PT, RO, RU, SD, SE, SG, SI, SK, TJ, TM, TR, TT, UA, UG, US, UZ, VN, ARIPO patent (KE, LS, MW, SD, SZ, UG), Eurasian patent (AM, AZ, BY, KG, KZ, MD, RU, TJ, TM), European patent (AT, BE, CH, DE, DK, ES, FI, FR, GB, GR, IE, IT, LU, MC, NL, PT, SE), OAPI patent (BF, BJ, CF, CG, CI, CM, GA, GN, ML, MR, NE, SN, TD, TG).</p> <p>Published With international search report. In English translation (filed in Swedish).</p>	

(54) Title: METHOD OF PROVIDING AN INTERNAL ELECTRICAL CONNECTION IN A SEALED BATTERY CELL

(57) Abstract

In a battery cell electrical connection between electrodes (1, 3) and electrically conducting end members (6, 7) of the cell container (5 - 7) is accomplished in that a battery coil (4A) consisting of wound electrodes and separators (2), wherein the electrodes have axially protruding, electrically conducting net edges (1', 3'), is placed in the cell container with the net edges in contact with the end members and in that welding joints are externally accomplished between the net edges and the end members.



FOR THE PURPOSES OF INFORMATION ONLY

Codes used to identify States party to the PCT on the front pages of pamphlets publishing international applications under the PCT.

AM	Armenia	GB	United Kingdom	MW	Malawi
AT	Austria	GE	Georgia	MX	Mexico
AU	Australia	GN	Guinea	NE	Niger
BB	Barbados	GR	Greece	NL	Netherlands
BE	Belgium	HU	Hungary	NO	Norway
BF	Burkina Faso	IE	Ireland	NZ	New Zealand
BG	Bulgaria	IT	Italy	PL	Poland
BJ	Benin	JP	Japan	PT	Portugal
BR	Brazil	KE	Kenya	RO	Romania
BY	Belarus	KG	Kyrgystan	RU	Russian Federation
CA	Canada	KP	Democratic People's Republic of Korea	SD	Sudan
CF	Central African Republic	KR	Republic of Korea	SE	Sweden
CG	Congo	KZ	Kazakhstan	SG	Singapore
CH	Switzerland	LI	Liechtenstein	SI	Slovenia
CI	Côte d'Ivoire	LK	Sri Lanka	SK	Slovakia
CM	Cameroon	LR	Liberia	SN	Senegal
CN	China	LT	Lithuania	SZ	Swaziland
CS	Czechoslovakia	LU	Luxembourg	TD	Chad
CZ	Czech Republic	LV	Latvia	TG	Togo
DE	Germany	MC	Monaco	TJ	Tajikistan
DK	Denmark	MD	Republic of Moldova	TT	Trinidad and Tobago
EE	Estonia	MG	Madagascar	UA	Ukraine
ES	Spain	ML	Mali	UG	Uganda
FI	Finland	MN	Mongolia	US	United States of America
FR	France	MR	Mauritania	UZ	Uzbekistan
GA	Gabon			VN	Viet Nam

METHOD OF PROVIDING AN INTERNAL ELECTRICAL CONNECTION IN A SEALED BATTERY CELL

5

Technical Field

The present invention relates to a method of providing an electrical connection in a sealed battery cell between an electrode and an electrically conducting end member of the cell container. The invention also relates to a battery cell manufactured in this way.

Technical Background

At the manufacture of battery cells it is of great importance to accomplish the electrical connection between the internal electrodes of the cell and the externally accessible contact portions of the cell container, i e normally the bottom and the end cover, in the cheapest possible way and with asserted functional security.

A typical example of a prior technique for this purpose is shown in FR-A-2 356 284. Here, one of the electrodes in a battery coil directly contacts the cylindrical side wall of the metallic cell container, whereas the other electrode has protruding end edges, which downwardly rest against an electrically isolating bottom plate in the cell container and which upwardly directly or under assistance of contact plates contact the cover of the cell container. The upwardly extending end edges can hereby be soldered to the cover or the contact plate.

The manufacture is comparatively expensive due to the relatively great number of working steps and related members, and the volume utilization in the cell container is far from optimal. Further, no guarantee for adequate contact can be given.

Other examples of previously known techniques are EP-A-029 925 and EP-A-413 867, where internal contact members

are welded to electrically conducting end portions of a battery coil before the insertion thereof in a conventional cell container. The contact members are in turn in contact with externally conducting portions of the cell container.

5 Also this technique suffers from the deficiencies mentioned above.

The Invention

For removing the drawbacks mentioned above with previously known techniques and for accomplishing an adequate and satisfactory electrical connection in the simplest and
10 cheapest way with best possible volume utilization the method according to the invention is characterized in

that an electrically conducting net edge is left at the application of electrode material on an electrode net
15 for the production of a plate shaped electrode,

that the electrode - together with another electrode and separators - is wound into a battery coil with the net edge protruding from one end,

that the battery coil is placed in the cell container with the net edge in contact with the end member, and
20

that a welding joint between the end member and the net edge is externally accomplished.

Preferably line shaped welding joints are accomplished by laser welding, but any other conventional welding
25 technique may also be utilized. Two such parallel welding joints can be accomplished.

If the cell container consists of a cylindrical tube of a plastic material and two electrically conducting end covers, the welding joints can preferably be concurrently
30 accomplished in the two ends.

Electrolyte shall preferably be poured into the battery cell only after an accomplished welding operation, which is possible if the upper end cover has a center hole for a safety valve, which is mounted later.

The invention also relates to a battery cell manufactured in the above mentioned way. This battery cell can have the characteristics defined in claims 5 - 8.

The Drawings

5 The invention shall be further described below reference being made to the accompanying drawings, in which Fig 1 in a side view shows the different components of a battery coil before winding, Figs 2 and 3 in a side view and a top view, respectively, show a wound battery coil,
10 Fig 4 is a side view of a battery coil after formation, Figs 5 - 7 in a longitudinal section, a top view and a bottom view, respectively, show a battery cell after a welding operation and Figs 8 and 9 are enlargements of the upper and lower portions, respectively, of Fig 5.

Detailed Description of a Preferred Embodiment

15 The starting material for an electrode coil for a battery cell according to the invention comprises, - as is shown in Fig 1 - a negative, plate shaped electrode 1, a separator 2, a positive, plate shaped electrode 3 and again
20 a separator 2. In a nickel/metal hydride battery the positive electrode contains nickel material and the negative electrode a metal hydride.

The electrode material for the respective electrodes is rolled or pressed onto a metal thread net. As especially
25 appears from Fig 1, an edge of the electrically conducting net material 1' and 3', respectively, protrudes from the negative electrode at its lower end and the positive electrode at its upper end. It will appear that these net edges form lugs or connections for the electrodes. At the manu-
30 facture of battery cells of type AA the total widths or heights in Fig 1 of the electrodes proper can be about 45 mm whereas the respective net edge can have a width of 1.5 mm. The electrode nets with the net edges can be manufactured of electrically conducting thread with a diameter of

about 0.2 mm. For obtaining a good mechanical stability the net edges 1' and 3' can be folded against themselves.

After winding, a battery coil 4 with an appearance according to Figs 2 and 3 will be formed, where the lower lug formed by the net edge 1' forms part of the negative electrode and the upper lug formed by the net edge 3' forms part of the positive electrode. At the winding a central, axial hole through the battery coil 4 is formed, as most clearly appears in Fig 3. The diameter of the coil can be about 12.5 mm and the diameter of the hole 3 mm.

In a following process step the ends of the battery coil are pressed to the oblique shape shown in Fig 4. The battery coil thus modified has the reference numeral 4A.

This modified battery coil 4A is arranged in a battery cell container, which is most clearly shown in Fig 5 and which consists of a mainly cylindrical tube 5 with two discs 6 and 7 closing the two ends. This battery container 5 - 7 is described in more detail in the international patent application PCT/SE95/01064 from the same applicant; reference is made to this application, but the following short description can be made in this context:

The cylindrical tube 5 is manufactured of a thermoplastic material, whereas the circular discs or covers 6 and 7 are manufactured of an electrically conducting plate material and are so melted or pressed into the tube 5 that a pressure tight sealing is accomplished. In a completed battery cell the upper cover 7 can be provided with a safety valve, which is described in the patent application mentioned above and in Figs 5 and 8 appears as a central hole. The outer diameter of the tube 5 can be 14 mm and its length 50.5 mm.

At the insertion of the battery coil 4A in the battery cell container the latter may already be provided with the bottom cover 6 and be upwardly open. After the insertion of the battery coil 4A the top cover 7 is placed or

pressed in position and is attached by melting, so that a battery cell container 5 - 7, which is closed with the exception of the safety valve, is accomplished. This completed container can have a length of about 49 mm. Due to the oblique formation of the ends of the battery coil 4 described above in connection with Fig 4 the battery coil will fill the cell container 5 - 7 well, so that a best possible capacity utilization is obtained.

After the insertion of the battery coil 4A in the upwardly open cell container and the sealing thereof by means of the upper cover 7 the net edges or net lugs 1' and 3' will contact their respective covers 6 and 7.

In order to accomplish the necessary, safe electrical contact between the net lugs 1' and 3' and the respective covers 6 and 7 a preferably line shape welding is made externally at the covers 6 and 7, so that the net lugs 1' and 3' are melted to the respective covers 6 and 7. In Figs 5 - 9 two such line shaped welding joints 8 are shown. The welding operations are preferably concurrently performed at the two ends of the battery cell.

The welding is preferably performed with laser technique, but other well known welding techniques are also possible. At the welding operation the cover material is in principle melted in lines, whereas the underlying net material is heated, so that the materials of the cover and the net are melted together in an electrically conducting and mechanically strong joint.

After the welding a suitable electrolyte is filled through the hole of the safety valve, whereupon the safety valve, which is not shown and described here, is mounted.

CLAIMS

1. A method of providing an electrical connection in a battery cell between an electrode (1, 3) and an electrically conducting end member (6, 7) of a cell container (5 - 7), characterized in

that an electrically conducting net edge (1', 3') is left at the application of electrode material on an electrode net for the production of a plate shaped electrode (1, 3),

that the electrode - together with another electrode and separators (2) - is wound into a battery coil (4A) with the net edge protruding from one end,

that the battery coil is placed in the cell container (5 - 7) with the net edge in contact with the end member (6, 7), and

that a welding joint between the end member and the net edge is externally accomplished.

2. A method according to claim 1, characterized in that line shaped welding joints (8) are accomplished by laser welding.

3. A method according to claim 1 or 2, the cell container (5 - 7) consisting of a cylindrical tube (5) of a plastic material and two electrically conducting end covers (6, 7), characterized in that the welding joints (8) are concurrently accomplished in the two ends.

4. A method according to any of the preceding claims, the end cover (7), having a center hole for a safety valve, characterized in that electrolyte is poured through the hole after welding but before the mounting of the safety valve.

5. A battery cell, including a cell container (5 - 7) with an electrically conducting end member (6, 7) and a battery coil (4A) therein comprising electrodes (1, 3) and separators (2) wound together, characterized in that an electrically conducting net edge (1', 3') axi-

ally protruding from an electrode (1, 3) in the battery coil (4A) is welded together with the end member (6, 7).

6. A battery cell according to claim 5, c h a r a c -
t e r i z e d in that the welding joint (8) accomplished
5 between the net edge (1', 3') and the end member (6, 7) is
line shaped.

7. A battery cell according to claim 6, c h a r a c -
t e r i z e d in that two welding joints (8) are accomp-
lished between the net edge (1', 3') and the end member (6,
10 7).

8. A battery cell according to any of the claims 5 -
7, its cell container (5 - 7) consisting of a cylindrical
tube (5) of a plastic material and two electrically conduc-
ting end covers (6, 7), c h a r a c t e r i z e d in that
15 welding joints (8) are accomplished in both ends of the
battery cell.

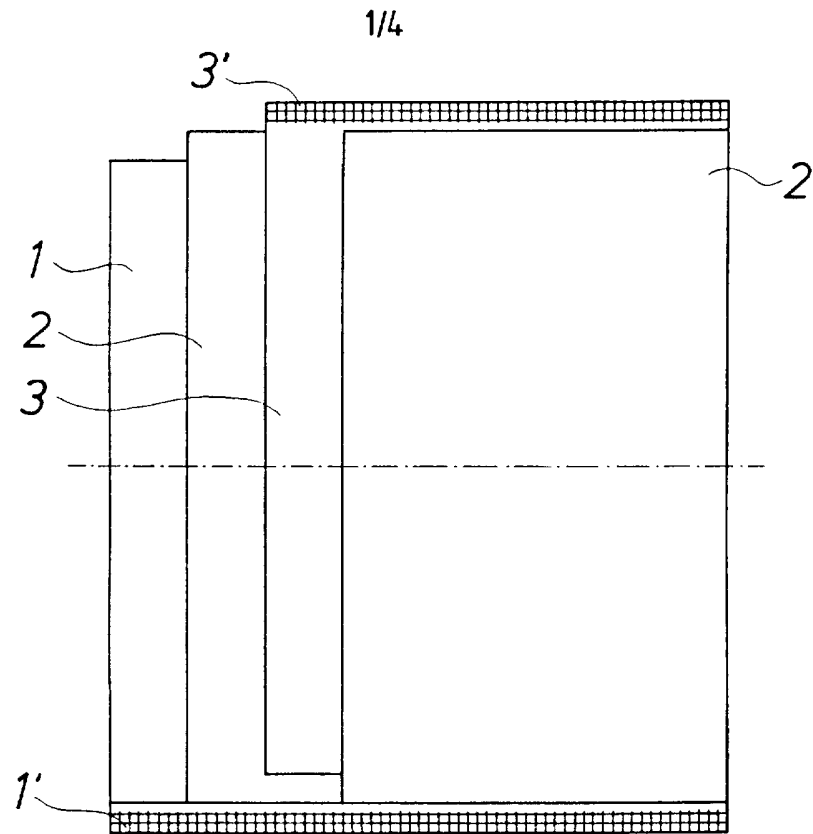


FIG. 1

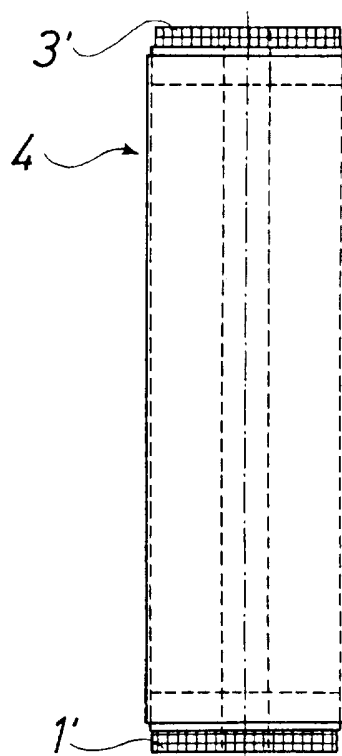


FIG. 2

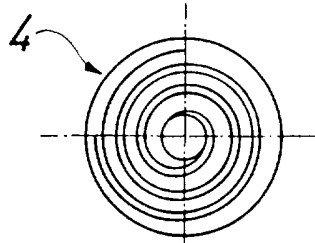


FIG. 3

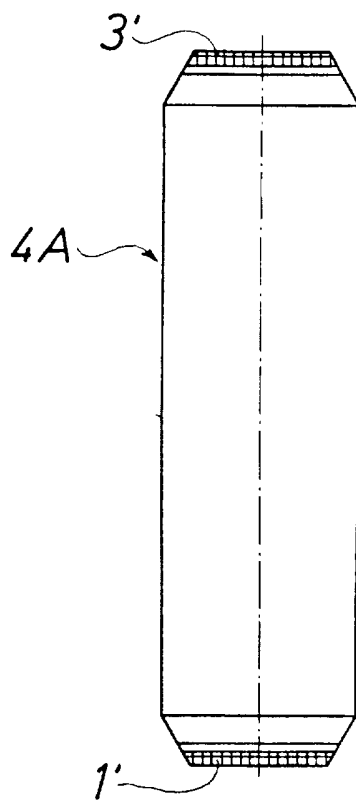


FIG. 4

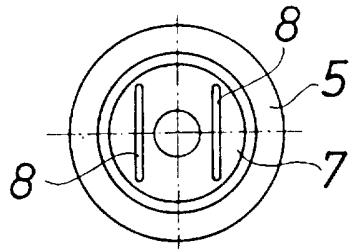


FIG. 6

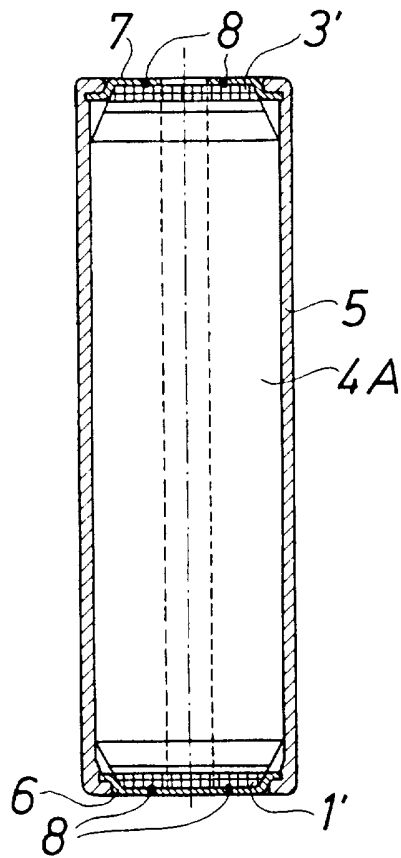


FIG. 5

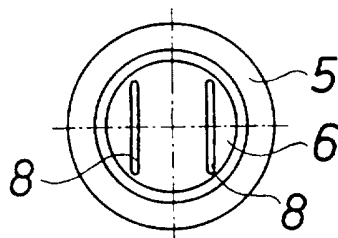


FIG. 7

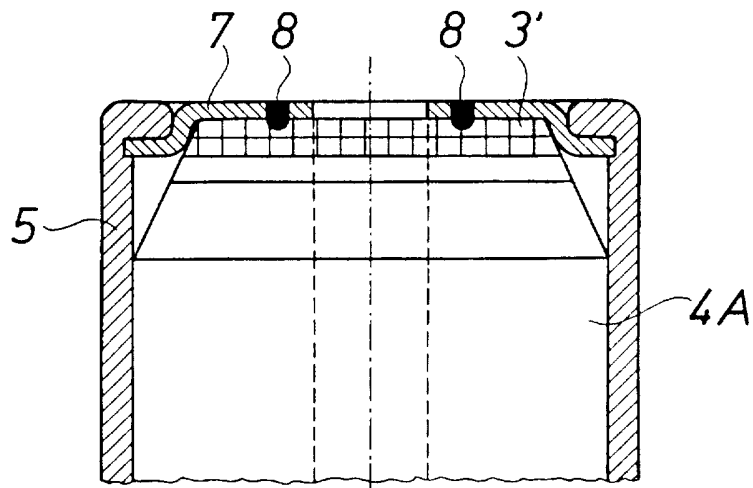


FIG. 8

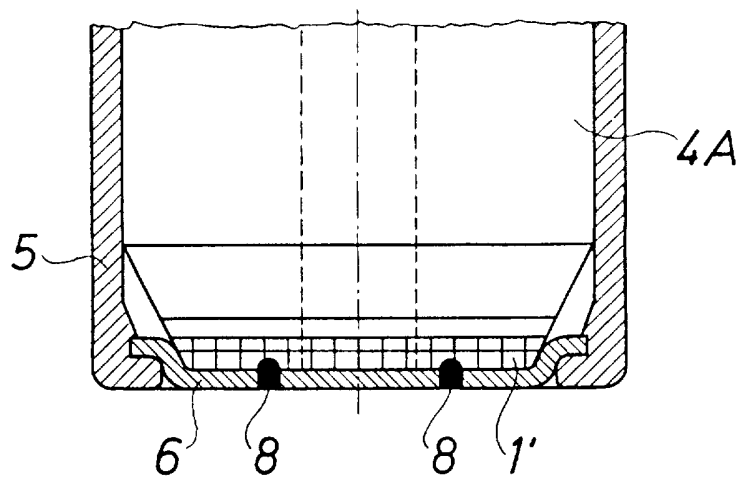


FIG. 9

INTERNATIONAL SEARCH REPORT

International application No.

PCT/SE 96/01453

A. CLASSIFICATION OF SUBJECT MATTER		
IPC6: H01M 2/22 According to International Patent Classification (IPC) or to both national classification and IPC		
B. FIELDS SEARCHED		
Minimum documentation searched (classification system followed by classification symbols)		
IPC6: H01M		
Documentation searched other than minimum documentation to the extent that such documents are included in the fields searched		
SE,DK,FI,NO classes as above		
Electronic data base consulted during the international search (name of data base and, where practicable, search terms used)		
C. DOCUMENTS CONSIDERED TO BE RELEVANT		
Category*	Citation of document, with indication, where appropriate, of the relevant passages	Relevant to claim No.
X	WO 9101573 A1 (GATES ENERGY PRODUCTS, INC.), 7 February 1991 (07.02.91), page 8, line 36 - page 9, line 7 ---	1,5
X	US 4053687 A (JEAN COIBION ET AL), 11 October 1977 (11.10.77), column 1, line 65 - column 2, line 6; column 3, line 15 - line 55, figure 1 --	1,5
A	Patent Abstracts of Japan, Vol 9, No 201, E-336, abstract of JP, A, 60-65452 (SANYO DENKI K.K.), 15 April 1985 (15.04.85) ---	1,2,5
<input checked="" type="checkbox"/> Further documents are listed in the continuation of Box C. <input checked="" type="checkbox"/> See patent family annex.		
* Special categories of cited documents: "A" document defining the general state of the art which is not considered to be of particular relevance "E" earlier document but published on or after the international filing date "L" document which may throw doubts on priority claim(s) or which is cited to establish the publication date of another citation or other special reason (as specified) "O" document referring to an oral disclosure, use, exhibition or other means "P" document published prior to the international filing date but later than the priority date claimed "T" later document published after the international filing date or priority date and not in conflict with the application but cited to understand the principle or theory underlying the invention "X" document of particular relevance: the claimed invention cannot be considered novel or cannot be considered to involve an inventive step when the document is taken alone "Y" document of particular relevance: the claimed invention cannot be considered to involve an inventive step when the document is combined with one or more other such documents, such combination being obvious to a person skilled in the art "&" document member of the same patent family		
Date of the actual completion of the international search		Date of mailing of the international search report
20 February 1997		28 -02- 1997
Name and mailing address of the ISA/ Swedish Patent Office Box 5055, S-102 42 STOCKHOLM Facsimile No. +46 8 666 02 86		Authorized officer Ulla Granlund Telephone No. +46 8 782 25 00

INTERNATIONAL SEARCH REPORT

International application No.

PCT/SE 96/01453

C (Continuation). DOCUMENTS CONSIDERED TO BE RELEVANT		
Category*	Citation of document, with indication, where appropriate, of the relevant passages	Relevant to claim No.
A	US 4902589 A (JEFFERY R. DAHN ET AL), 20 February 1990 (20.02.90), column 6, line 3 - line 30 -- -----	1-10

INTERNATIONAL SEARCH REPORT

Information on patent family members

International application No.

03/02/97

PCT/SE 96/01453

Patent document cited in search report	Publication date	Patent family member(s)	Publication date
WO-A1- 9101573	07/02/91	AT-T- 127963	15/09/95
		AT-T- 128272	15/10/95
		AU-B- 615845	10/10/91
		AU-B- 626447	30/07/92
		AU-A- 5908890	18/04/91
		AU-A- 6142890	22/02/91
		CA-A, C- 2021558	21/01/91
		CA-A, C- 2037898	21/01/91
		DE-D, T- 69022383	07/03/96
		DE-D, T- 69022503	04/04/96
		EP-A, B- 0409616	23/01/91
		EP-A, B- 0436004	10/07/91
		ES-T- 2076321	01/11/95
		ES-T- 2079482	16/01/96
		JP-A- 3116654	17/05/91
		JP-T- 3503820	22/08/91
		KR-B- 9507533	11/07/95
		US-A- 4929519	29/05/90
		US-A- 5106707	21/04/92
		US-A- 5141523	25/08/92
US-A- 4053687	11/10/77	BE-A- 847018	07/04/77
		CA-A- 1069175	31/12/79
		CH-A- 600584	30/06/78
		DE-A- 2645863	21/04/77
		FR-A, B- 2356284	20/01/78
		GB-A- 1511766	24/05/78
		JP-A- 52053238	28/04/77
		LU-A- 75999	25/05/77
		NL-A- 7611381	19/04/77
		SE-A- 7611485	18/04/77
		FR-A, B- 2328296	13/05/77
		US-A- 4902589	20/02/90
US-A- 4969254	13/11/90		