



US00D422347S

United States Patent [19]
Kawamura

[11] **Patent Number: Des. 422,347**
[45] **Date of Patent: ** Apr. 4, 2000**

- [54] **PEDESTAL SINK**
- [75] Inventor: **Seijiro Kawamura**, Fukuoka, Japan
- [73] Assignee: **Toto Ltd.**, Fukuoka, Japan
- [**] Term: **14 Years**
- [21] Appl. No.: **29/099,963**
- [22] Filed: **Feb. 1, 1999**
- [51] **LOC (6) Cl.** **23-02**
- [52] **U.S. Cl.** **D23/292**
- [58] **Field of Search** D23/284, 298.1;
4/619, 630, 639-650

D. 407,470 3/1999 McKeone D23/292
Primary Examiner—Eric Watterson
Attorney, Agent, or Firm—Birch, Stewart, Kolasch & Birch, LLP

[57] **CLAIM**

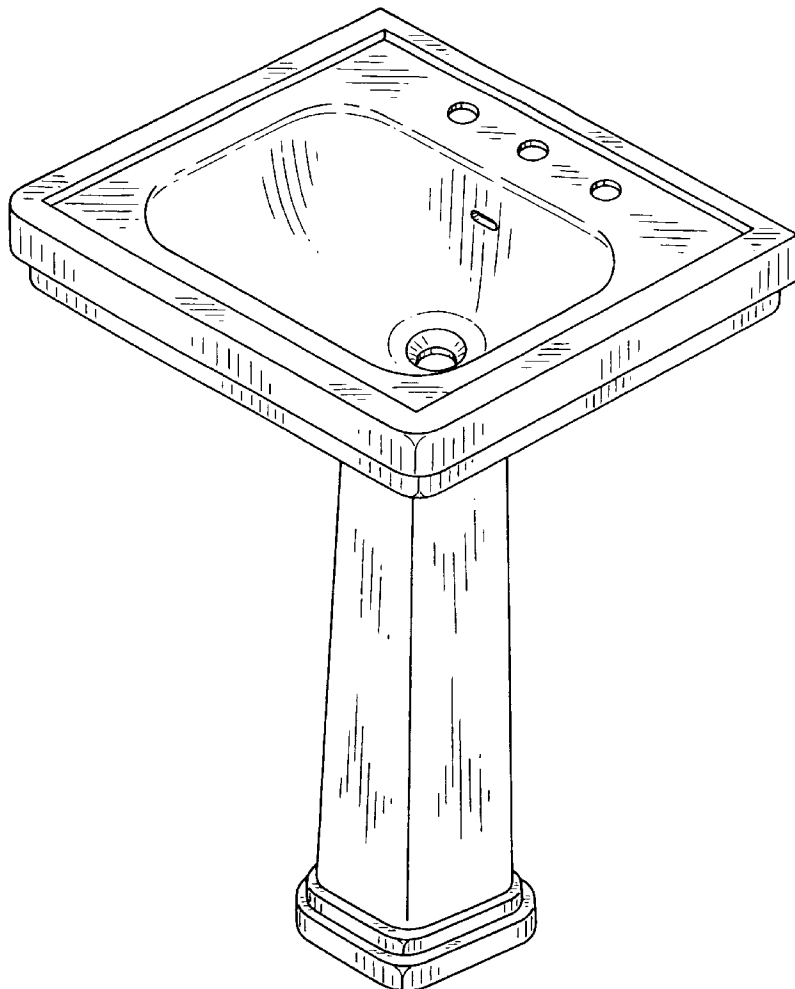
The ornamental design for a pedestal sink, as shown and described.

DESCRIPTION

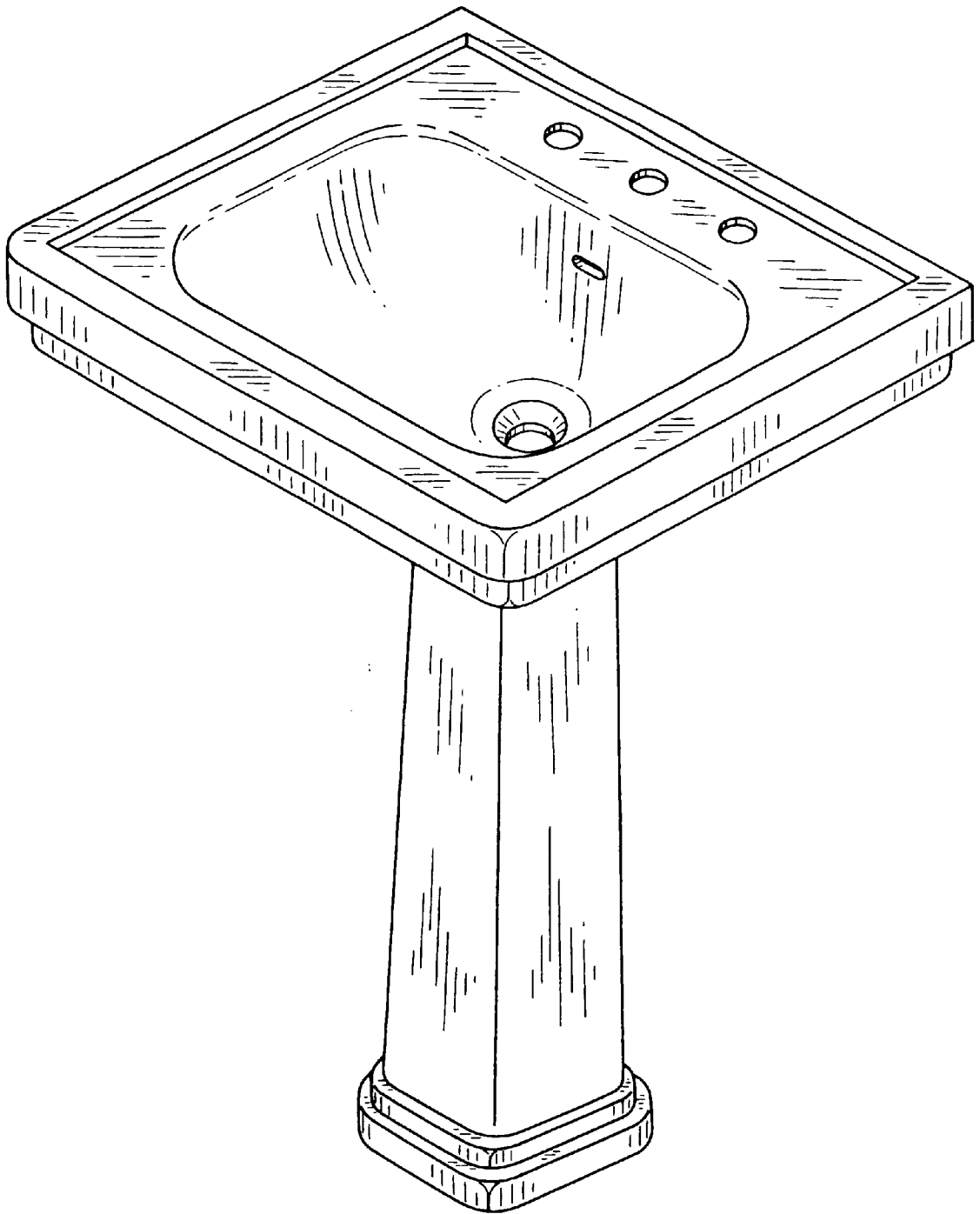
FIG. 1 is a perspective view of a pedestal-sink showing my new design;
 FIG. 2 is front elevational view thereof;
 FIG. 3 is a rear elevational view thereof;
 FIG. 4 is a top plan view thereof;
 FIG. 5 is a bottom plan view thereof; and
 FIG. 6 is a right side view thereof, a left side view being a mirror image of the right side view;
 FIG. 7 is a cross-sectional view thereof taken along line 7-7 in FIG. 4; and,
 FIG. 8 is a cross-sectional view thereof taken along line 8-8 in FIG. 4.

- [56] **References Cited**
- U.S. PATENT DOCUMENTS**
- D. 283,155 3/1986 Ronvik D23/292
- D. 321,754 11/1991 Reid D23/292
- D. 387,419 12/1997 Garza D23/292
- D. 387,857 12/1997 McKeone D23/284
- D. 391,353 2/1998 McKeone D23/284
- D. 396,270 7/1998 Slothower D23/292

1 Claim, 8 Drawing Sheets



F I G . 1



F I G . 2

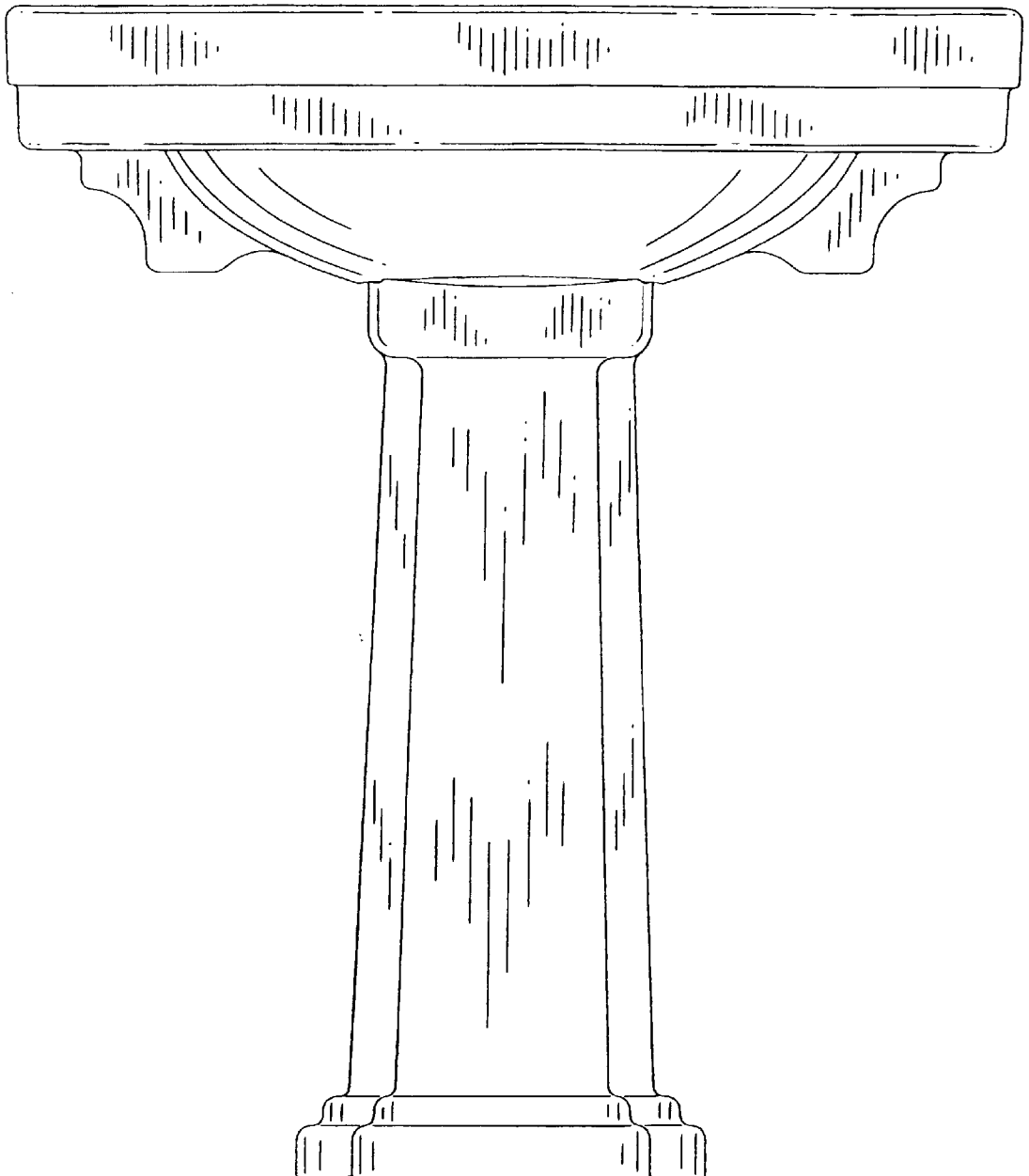


FIG. 3

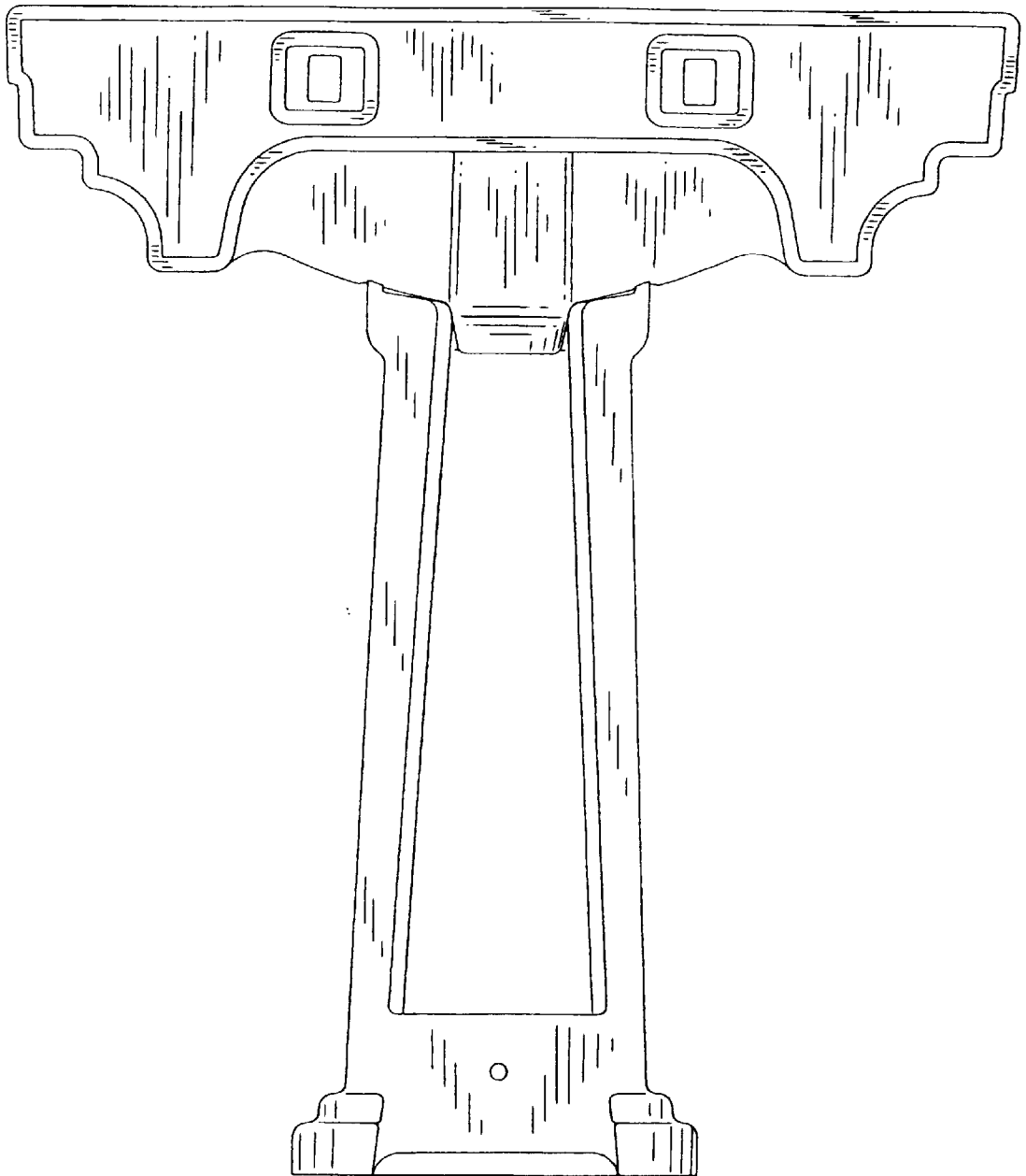


FIG. 4

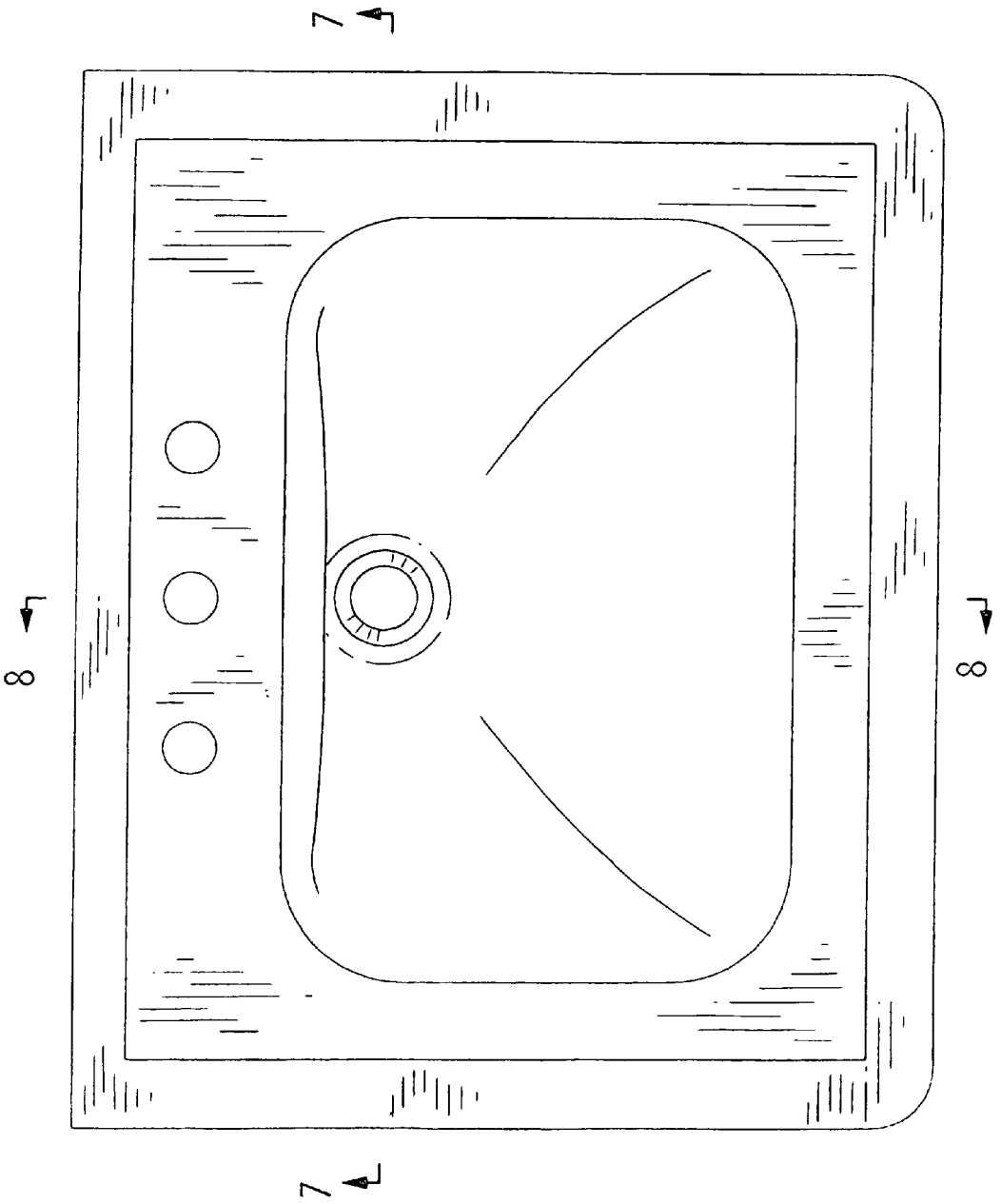
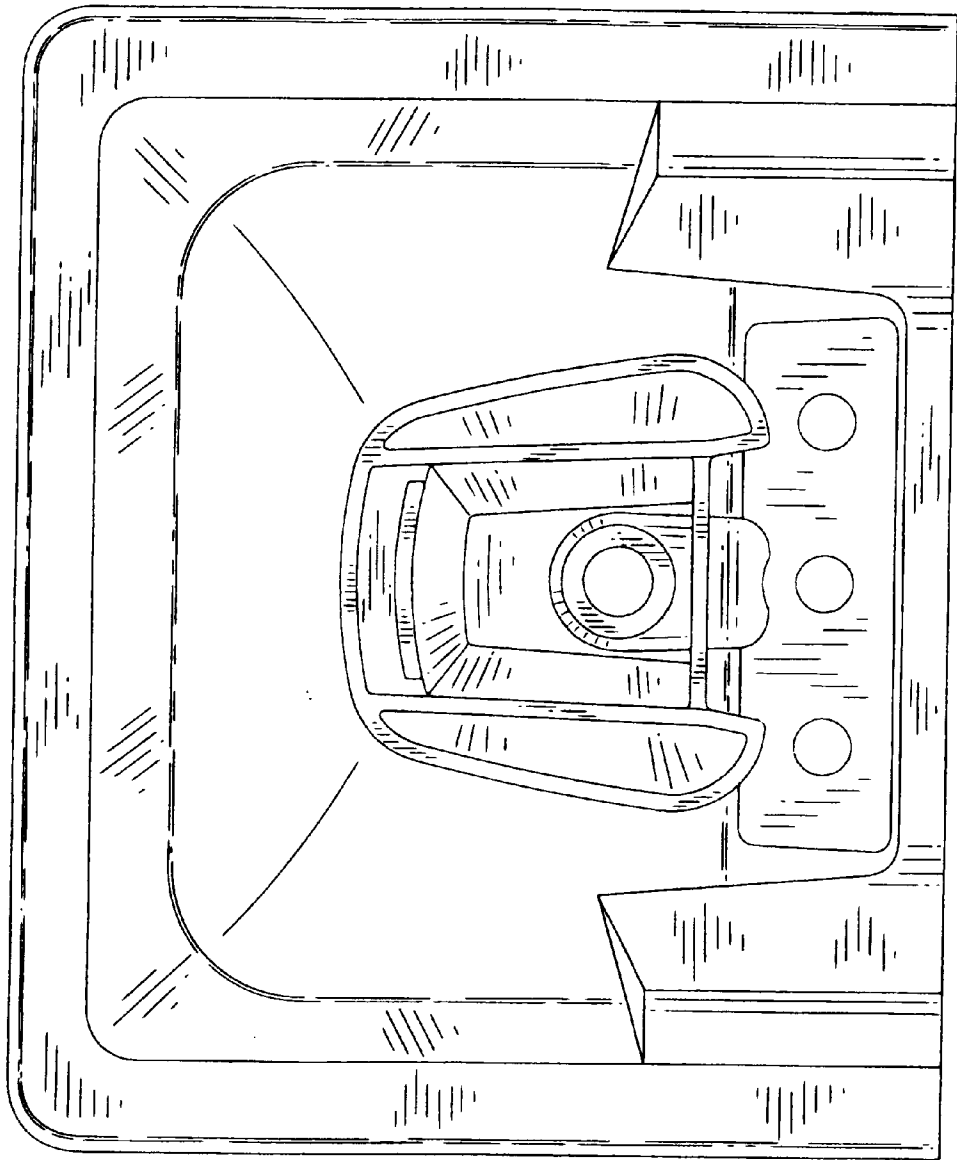
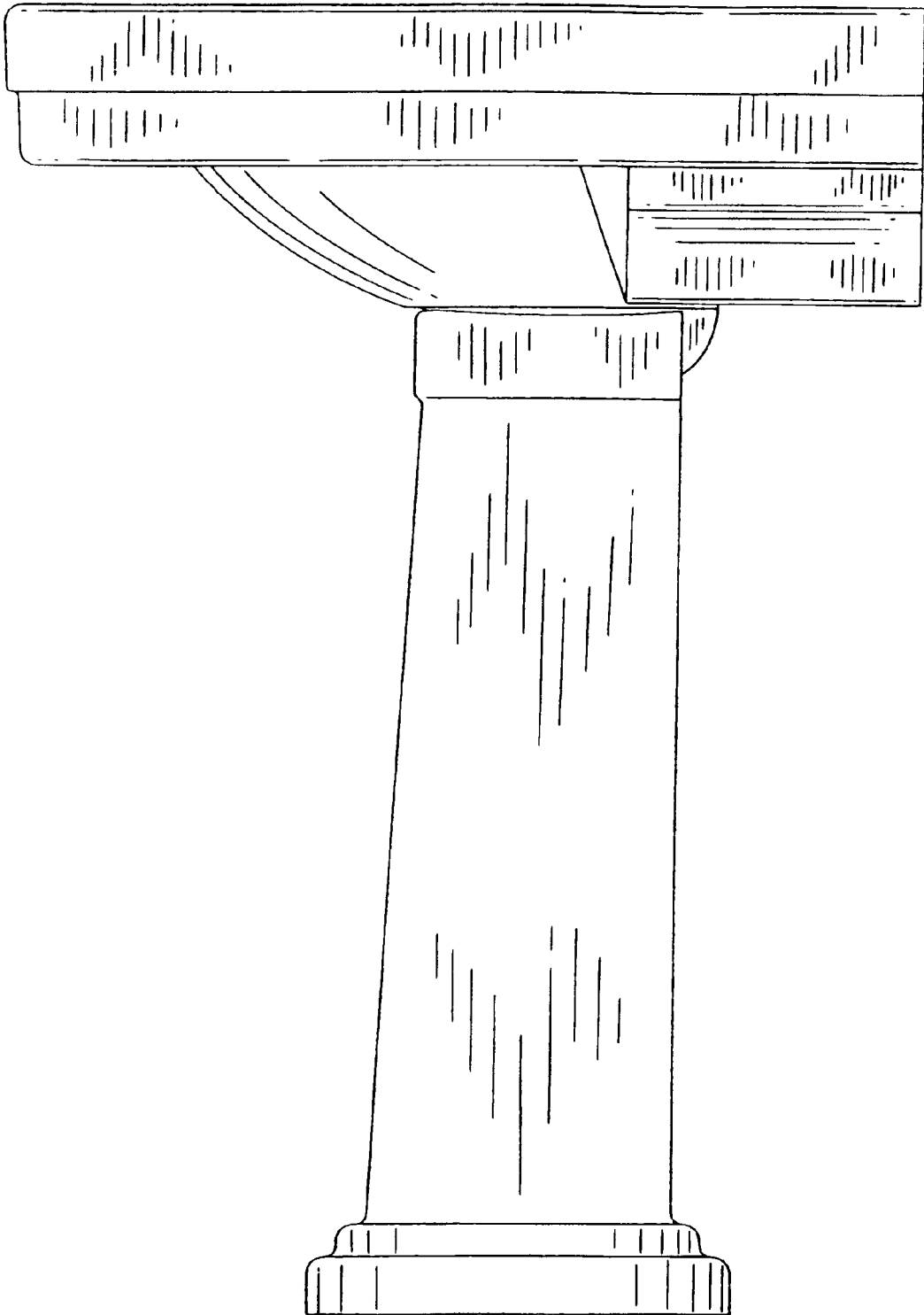


FIG. 5



F I G . 6



F I G . 7

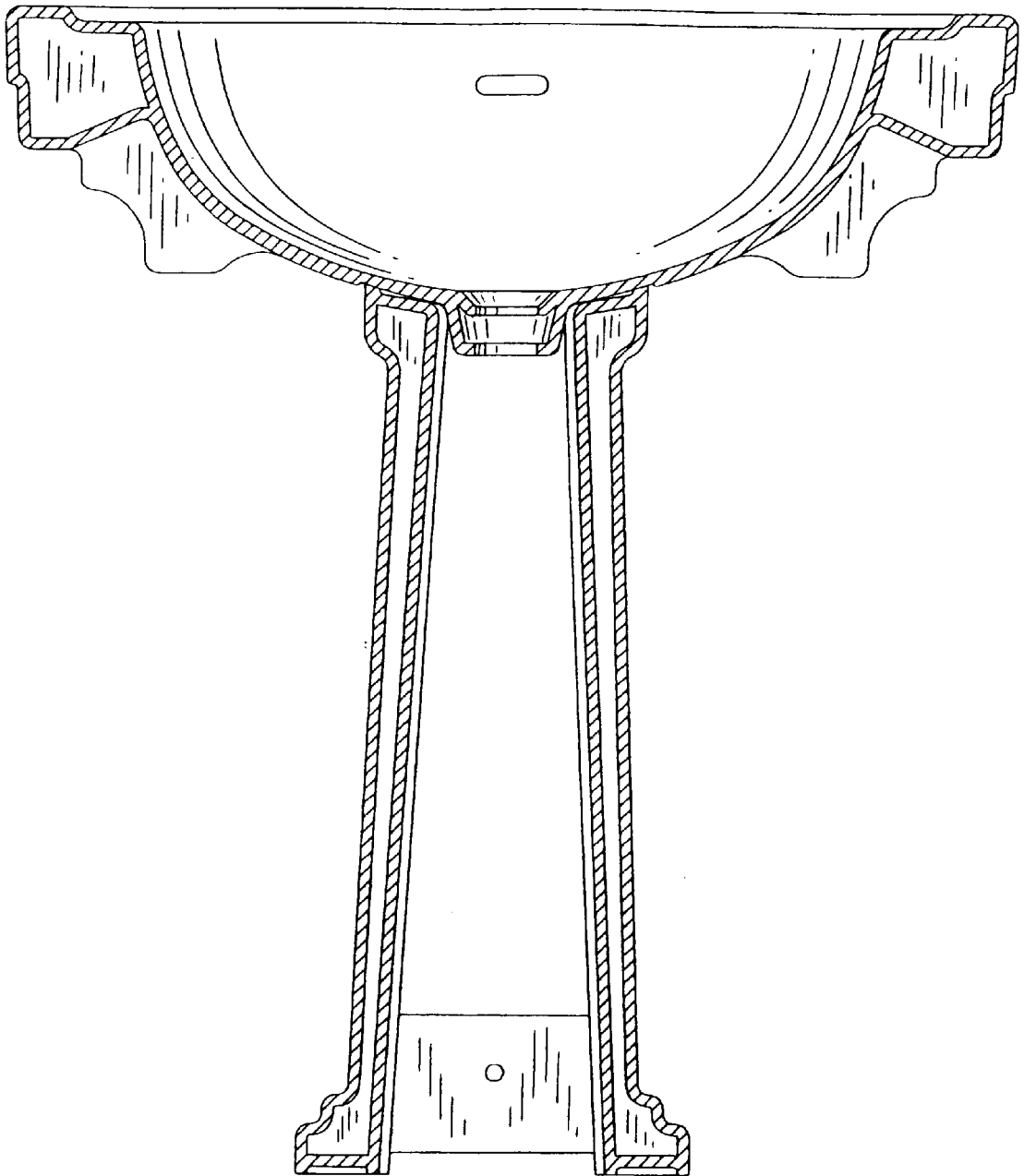


FIG. 8

