



(12) **United States Design Patent**
Skellham et al.

(10) **Patent No.:** **US D1,006,293 S**
(45) **Date of Patent:** **** Nov. 28, 2023**

(54) **LUMINAIRE**

8/024; F21S 8/026; F21S 8/031; F21S
8/033; F21S 8/035-037; F21S 8/04; F21S
8/043; F21S 8/063

(71) Applicant: **Eaton Intelligent Power Limited,**
Dublin (IE)

See application file for complete search history.

(72) Inventors: **Jonathan Jay Skellham,** Verona, NY
(US); **Prashant Dilip Lokhande,**
Maharashtra (IN); **Ishwari Ramesh**
Marne, Pune (IN); **Pushpak Paris**
Yabrer, Karnataka (IN); **Alok Das,**
Maharashtra (IN)

(56) **References Cited**

U.S. PATENT DOCUMENTS

D202,648	S	*	10/1965	Meyer et al.	D26/78
D459,517	S		6/2002	Shemitz et al.		
D476,753	S		7/2003	Chelf et al.		
D496,123	S	*	9/2004	Blackman	D26/76
D520,667	S	*	5/2006	Jae-Sung	D26/25
D567,425	S		4/2008	Yates		
D604,001	S		11/2009	Thun		
D632,419	S		2/2011	Ng et al.		
D662,245	S	*	6/2012	Steffy	D26/75
D669,207	S	*	10/2012	Chen	D26/85
D675,365	S		1/2013	Beghelli		
D693,514	S		11/2013	Mueller		
D704,372	S		5/2014	Speier et al.		
D704,878	S	*	5/2014	Wilson	D26/76
D709,238	S		7/2014	May		

(Continued)

(73) Assignee: **Eaton Intelligent Power Limited,**
Dublin (IE)

(**) Term: **15 Years**

(21) Appl. No.: **29/722,946**

(22) Filed: **Feb. 3, 2020**

Related U.S. Application Data

(62) Division of application No. 29/583,842, filed on Nov.
9, 2016, now Pat. No. Des. 874,708.

Primary Examiner — Natasha Vujcic

(74) *Attorney, Agent, or Firm* — Merchant & Gould P.C.

(30) **Foreign Application Priority Data**

May 13, 2016	(IN)	283430
May 13, 2016	(IN)	283431
May 13, 2016	(IN)	283432
May 13, 2016	(IN)	283433

(57) **CLAIM**

We claim, the ornamental design for a luminaire, as shown
and described.

(51) **LOC (14) Cl.** **26-04**

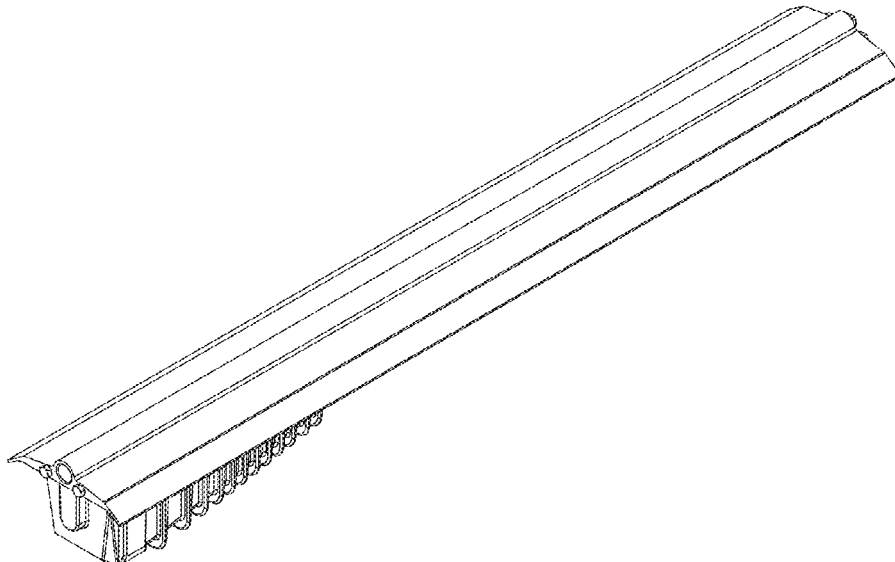
(52) **U.S. Cl.**
USPC **D26/76**

DESCRIPTION

(58) **Field of Classification Search**
USPC D26/72, 74, 76, 118, 119, 120, 121, 122,
D26/138, 139, 140, 141, 142, 152
CPC F21S 2/00; F21S 4/00; F21S 4/003; F21S
4/005; F21S 4/006; F21S 4/007; F21S
4/008; F21S 6/00; F21S 8/00; F21S

FIG. 1 is a top perspective view of a luminaire, according to
our new design;
FIG. 2 is a front view thereof;
FIG. 3 is a rear view thereof;
FIG. 4 is a right side view thereof;
FIG. 5 is a left side view thereof;
FIG. 6 is a top view thereof;
FIG. 7 is a bottom view thereof; and,
FIG. 8 is a bottom perspective view thereof.

1 Claim, 6 Drawing Sheets



(56)

References Cited

U.S. PATENT DOCUMENTS

D713,981	S	*	9/2014	Law	D26/31
D764,695	S		8/2016	Treible, Jr. et al.		
D776,854	S	*	1/2017	Baumeister	D26/76
D787,731	S		5/2017	Blessitt et al.		
D789,588	S		6/2017	Lonsdale		
D791,998	S		7/2017	Lonsdale		
D793,603	S		8/2017	Parker et al.		
D803,455	S		11/2017	Blessitt		
D805,234	S		12/2017	Ross et al.		
D808,059	S	*	1/2018	Li	D26/76
9,869,435	B2		1/2018	DeCarr et al.		
D819,250	S	*	5/2018	Ji	D26/76
D819,251	S		5/2018	Martins et al.		
D822,870	S		7/2018	Scarлата et al.		
D841,860	S	*	2/2019	Honda	D26/76
D865,258	S	*	10/2019	Honda	D26/76
D874,708	S	*	2/2020	Skellham	D26/76
D898,976	S	*	10/2020	Xu	D26/76
D923,849	S	*	6/2021	Yan	D26/76
D953,597	S	*	5/2022	Herkner	D26/76
D967,490	S	*	10/2022	Ma	D26/76

* cited by examiner

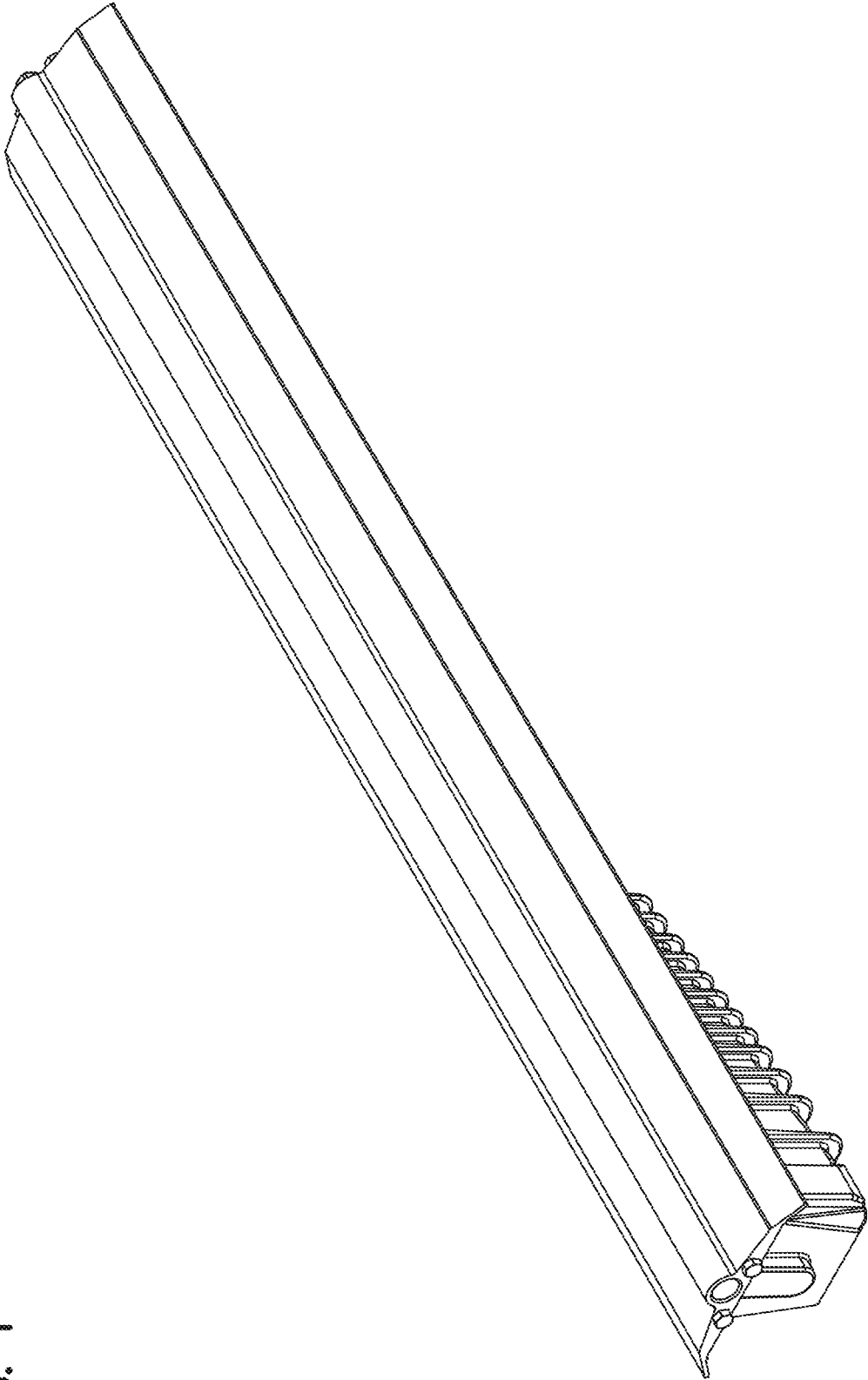


FIG. 1

FIG. 2

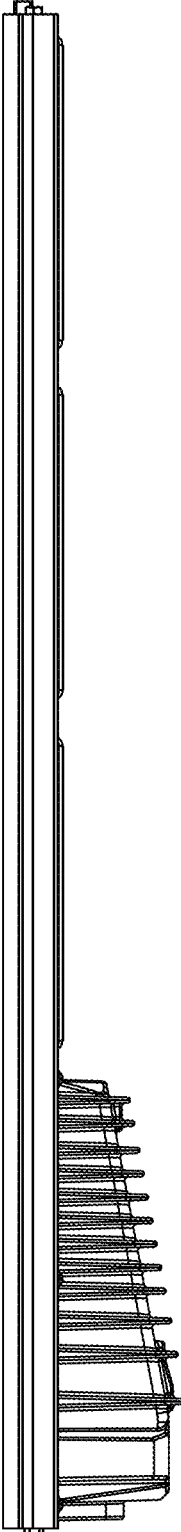
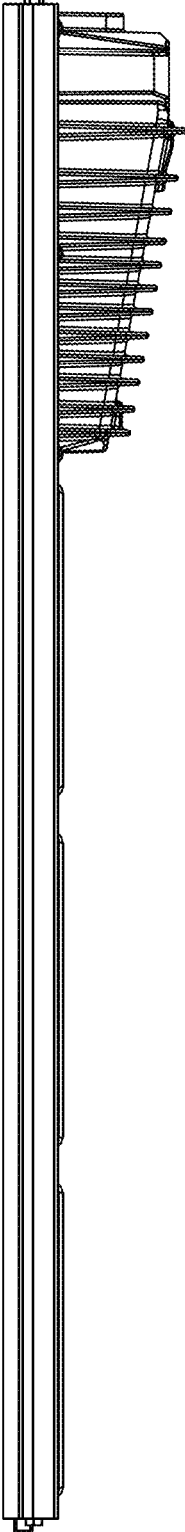


FIG. 3



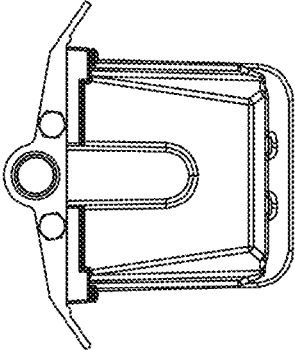


FIG. 5

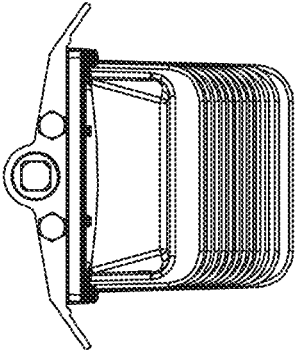


FIG. 4

FIG. 6

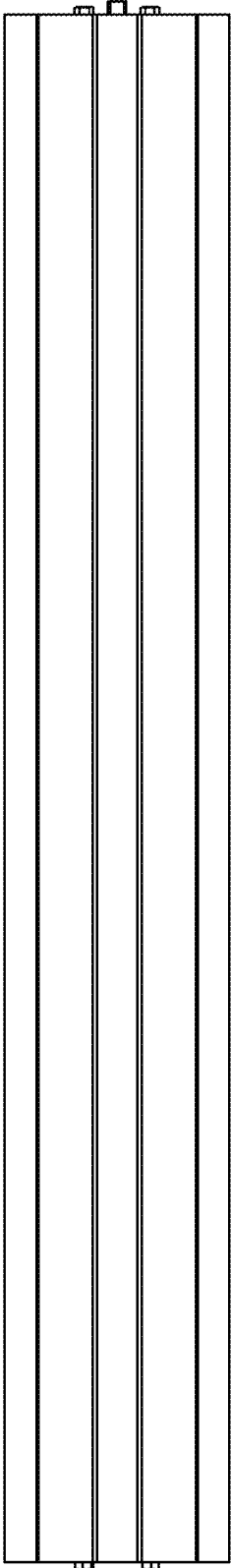
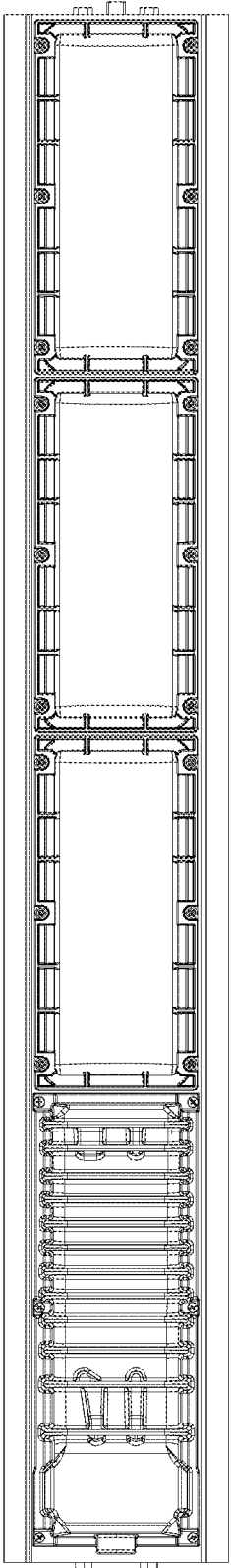


FIG. 7



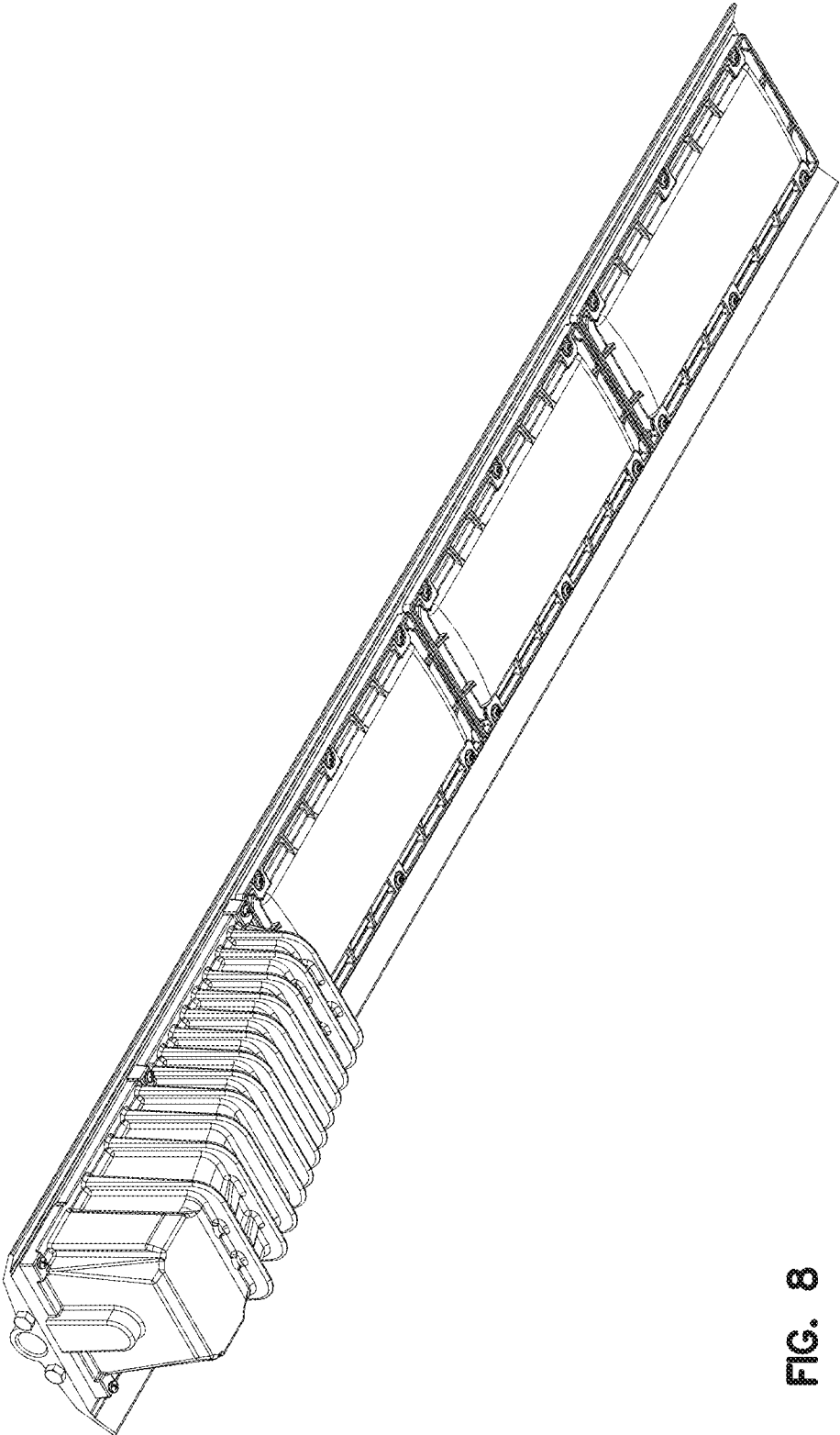


FIG. 8