



US00D469859S

(12) **United States Design Patent** (10) **Patent No.:** **US D469,859 S**
Didone (45) **Date of Patent:** **** Feb. 4, 2003**

(54) **WASTE AND VENT PIPE** 3,495,281 A * 2/1970 Palowsky 285/129.1

(75) Inventor: **Brian Didone**, Woodbridge (CA)

* cited by examiner

(73) Assignee: **Royal Pipe Company**, Woodbridge (CA)

Primary Examiner—Robin V. Taylor

(**) Term: **14 Years**

(57) **CLAIM**

The ornamental design for a waste and vent pipe, as shown and described.

(21) Appl. No.: **29/162,492**

(22) Filed: **Jun. 18, 2002**

DESCRIPTION

(51) **LOC (7) Cl.** **23-01**

FIG. 1 is a perspective view of the waste and vent pipe to which the design is applied;

(52) **U.S. Cl.** **D23/266**

FIG. 2 is a front view thereof;

(58) **Field of Search** D23/266, 259;
285/129.1, 129.2, 125.1

FIG. 3 is a left side view thereof;

FIG. 4 is a top view thereof;

FIG. 5 is a rear view thereof;

FIG. 6 is a right side view thereof; and,

FIG. 7 is a bottom view thereof.

(56) **References Cited**

U.S. PATENT DOCUMENTS

1,203,989 A * 11/1916 Dehn 285/129.1
1,362,718 A * 12/1920 McNamara 285/129.2

1 Claim, 3 Drawing Sheets

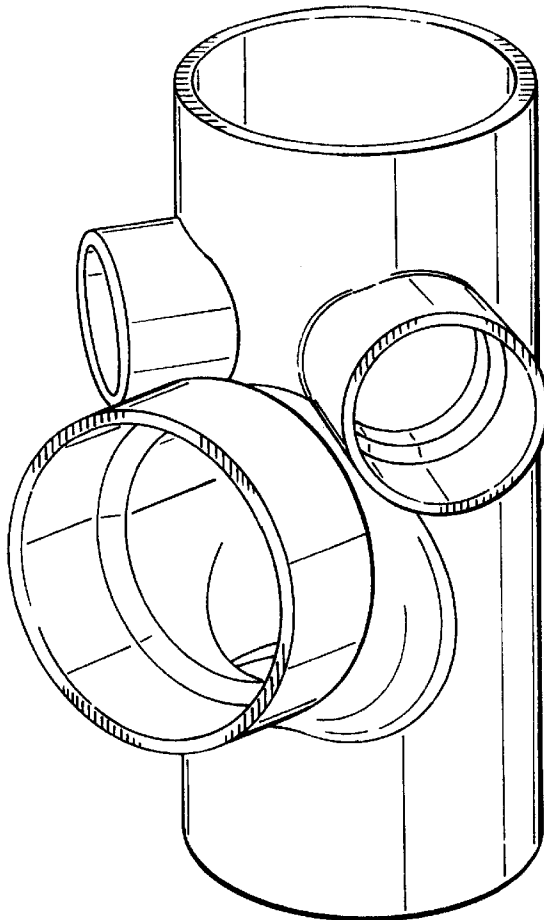
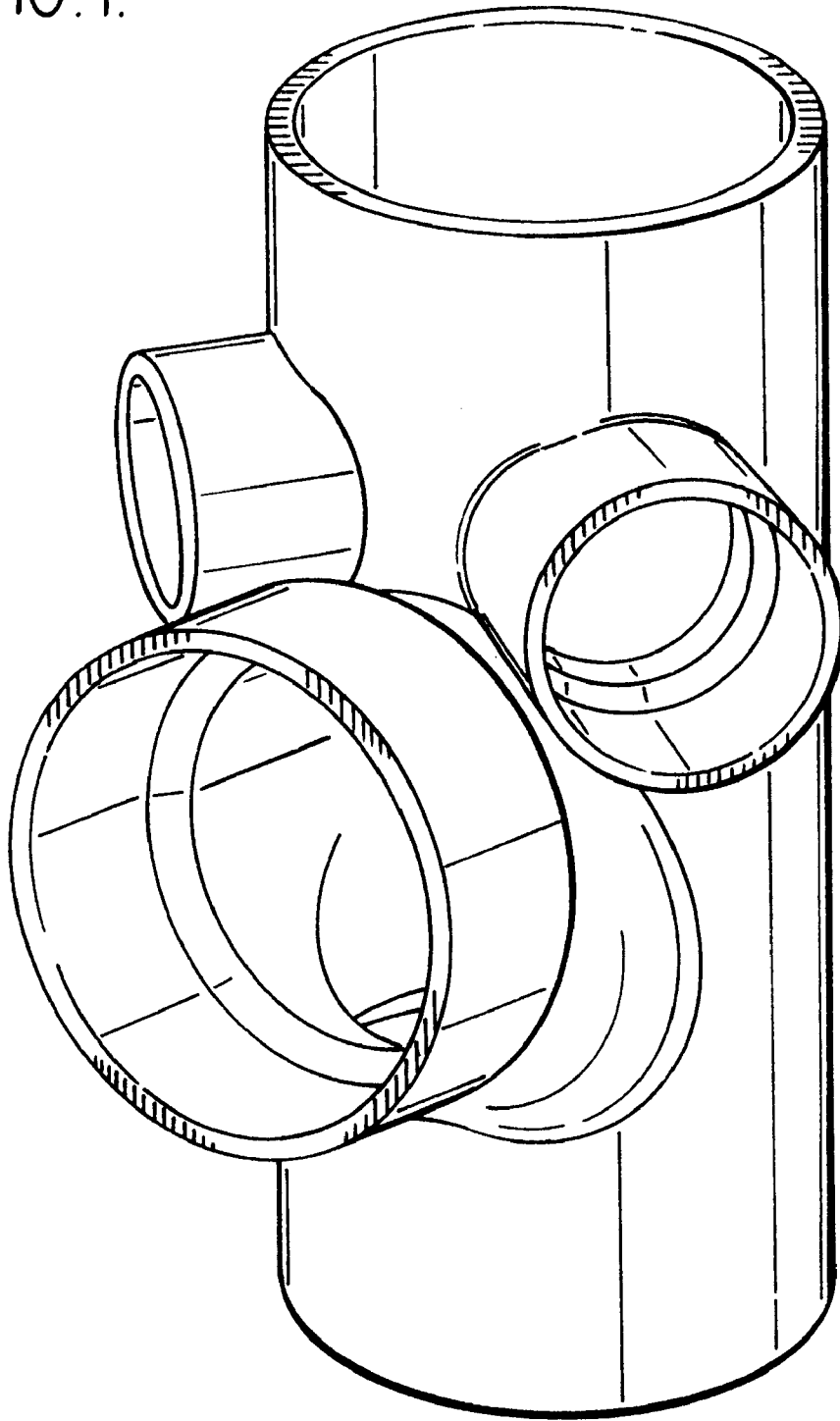


FIG. 1.



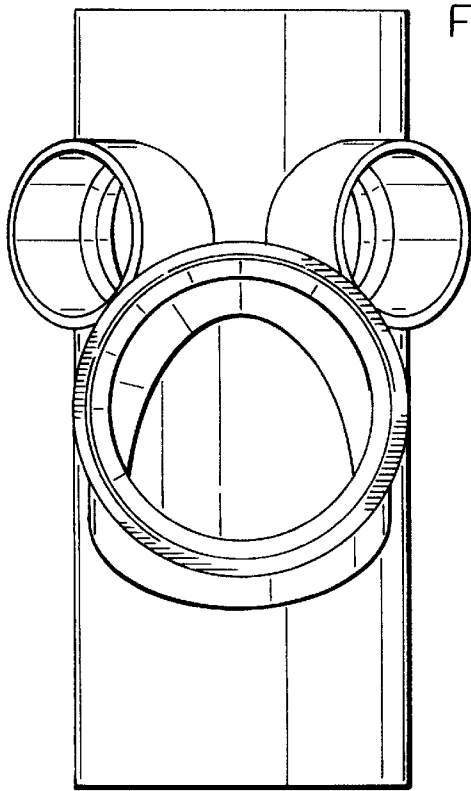


FIG. 2.

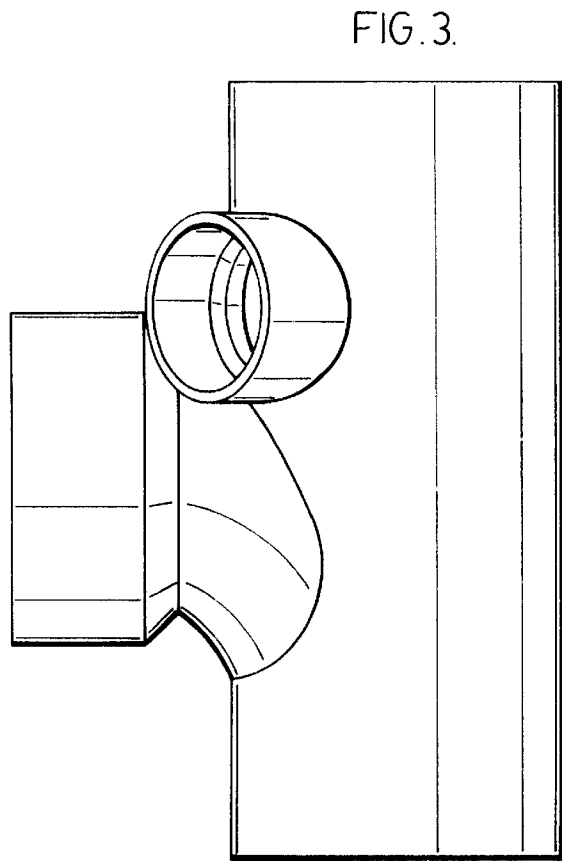


FIG. 3.

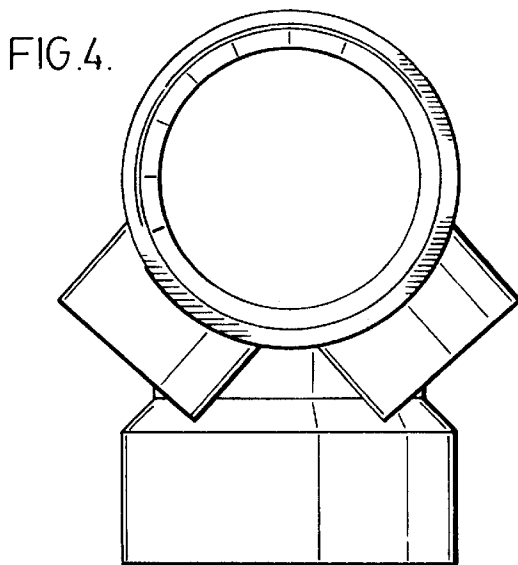


FIG. 4.

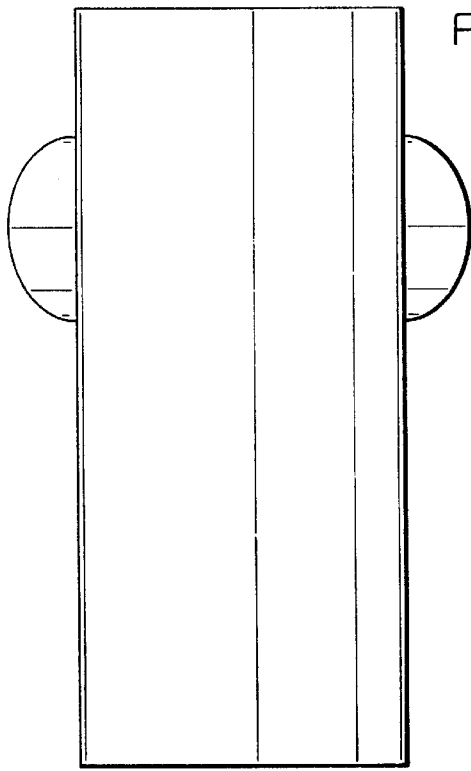


FIG. 5.

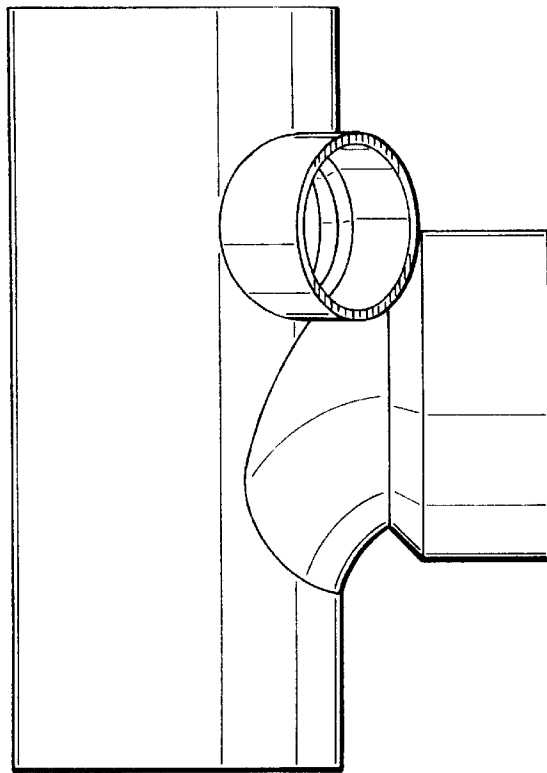


FIG. 6.

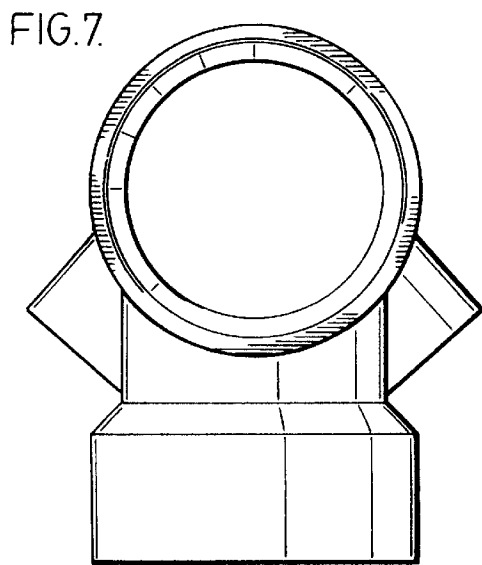


FIG. 7.