

(19) World Intellectual Property Organization
International Bureau



(43) International Publication Date
2 October 2008 (02.10.2008)

PCT

(10) International Publication Number
WO 2008/118295 A3

- (51) **International Patent Classification:**
A61B 17/56 (2006 01)
- (21) **International Application Number:**
PCT/US2008/003392
- (22) **International Filing Date:** 15 March 2008 (15 03 2008)
- (25) **Filing Language:** English
- (26) **Publication Language:** English
- (30) **Priority Data:**
60/920,211 26 March 2007 (26 03 2007) US
- (71) **Applicant and**
- (72) **Inventor:** GARAMSZEGLI, Laszlo [US/US], 21121
Whitebark, Mission Viejo, CA 92692 (US)
- (81) **Designated States** (unless otherwise indicated, for every
kind of national protection available): AE, AG, AL, AM,
AO, AT, AU, AZ, BA, **BB**, BG, **BH**, **BR**, BW, BY, BZ, CA,
CH, CN, CO, CR, CU, CZ, DE, DK, DM, DO, DZ, EC, EE,
EG, ES, FI, GB, GD, GE, GH, GM, GT, HN, **HR**, HU, **ID**,

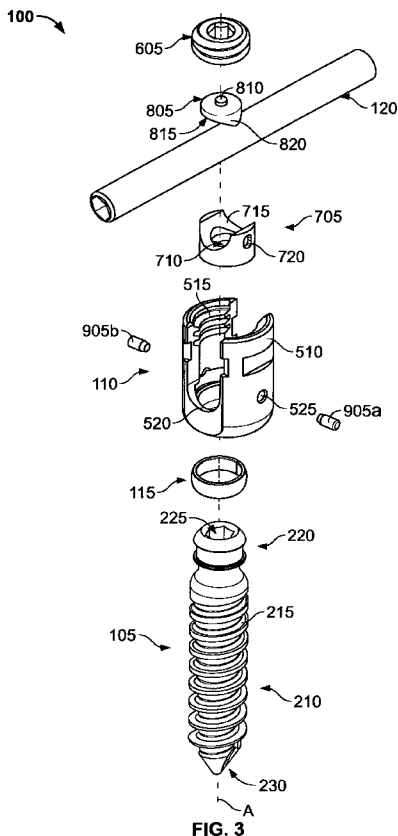
IL, IN, IS, JP, KE, KG, KM, KN, KP, **KR**, KZ, LA, LC,
LK, LR, LS, LT, LU, LY, MA, MD, ME, MG, MK, MN,
MW, MX, MY, MZ, NA, NG, NI, NO, NZ, OM, PG, **PH**,
PL, PT, RO, RS, RU, SC, SD, SE, SG, SK, SL, SM, SV,
SY, TJ, TM, TN, TR, TT, TZ, UA, UG, US, UZ, VC, VN,
ZA, ZM, ZW

(84) **Designated States** (unless otherwise indicated, for every
kind of regional protection available): ARIPO (BW, GH,
GM, KE, LS, MW, MZ, NA, SD, SL, SZ, TZ, UG, ZM,
ZW), Eurasian (AM, AZ, BY, KG, KZ, MD, RU, TJ, TM),
European (AT, BE, BG, CH, CY, CZ, DE, DK, EE, ES, FI,
FR, GB, GR, HR, HU, IE, IS, IT, LT, LU, LV, MC, MT, NL,
NO, PL, PT, RO, SE, SI, SK, TR), OAPI (BF, **BJ**, CF, CG,
CI, CM, GA, GN, GQ, GW, ML, MR, NE, SN, TD, TG)

Published:
— with international search report
— before the expiration of the time limit for amending the
claims and to be republished in the event of receipt of
amendments

(88) **Date of publication of the international search report:**
27 November 2008

(54) **Title:** BOTTOM-LOADING PEDICLE SCREW ASSEMBLY



(57) **Abstract:** A spine screw assembly is adapted to be loaded from a bottom of a receiver member. The spine screw assembly includes a bone fastener with a head having a groove that removably accepts a clip. The clip acts to retain the head of the bone fastener in the receiver member.



WO 2008/118295 A3

INTERNATIONAL SEARCH REPORT

International application No
PCT/US2008/003392

A CLASSIFICATION OF SUBJECT MATTER IPC(8) - A61B 17/56 (2008 04) USPC - 606/60 According to International Patent Classification (IPC) or to both national classification and IPC		
B FIELDS SEARCHED		
Minimum documentation searched (classification system followed by classification symbols) IPC(8) - A61B 17/56 (2008 04) USPC - 606/53, 54, 56 57, 60, 251		
Documentation searched other than minimum documentation to the extent that such documents are included in the fields searched		
Electronic data base consulted during the international search (name of data base and, where practicable, search terms used) Patbase, Google Scholar		
C DOCUMENTS CONSIDERED TO BE RELEVANT		
Category*	Citation of document, with indication, where appropriate, of the relevant passages	Relevant to claim No
Y	US 2005/0261687 A1 (GARAMSZEGLI et al) 24 November 2005 (24 11 2005) entire document	1-8
Y	US 2006/0217715 A1 (SERHAN et al) 28 September 2006 (28 09 2006) entire document	1-8
A	US 2005/0049600 A1 (GROISO) 03 March 2005 (03 03 2005) entire document	1-8
D Further documents are listed in the continuation of Box C <input type="checkbox"/>		
* Special categories of cited documents		
"A" document defining the general state of the art which is not considered to be of particular relevance	"T" later document published after the international filing date or priority date and not in conflict with the application but cited to understand the principle or theory underlying the invention	
"E" earlier application or patent but published on or after the international filing date	"X" document of particular relevance, the claimed invention cannot be considered novel or cannot be considered to involve an inventive step when the document is taken alone	
"L" document which may throw doubts on priority claim(s) or which is cited to establish the publication date of another citation or other special reason (as specified)	"Y" document of particular relevance, the claimed invention cannot be considered to involve an inventive step when the document is combined with one or more other such documents such combination being obvious to a person skilled in the art	
"O" document referring to an oral disclosure, use, exhibition or other means	"&" document member of the same patent family	
"P" document published prior to the international filing date but later than the priority date claimed		
Date of the actual completion of the international search 16 September 2008	Date of mailing of the international search report 22 SEP 2008	
Name and mailing address of the ISA/US Mail Stop PCT, Attn ISA/US, Commissioner for Patents P O Box 1450, Alexandria, Virginia 22313-1450 Facsimile No 571-273-3201	Authorized officer Blaine R Copenheaver PCT Hq. Tel: 571-272-4300 PCTOSP 571-272-7774	