

(12) INTERNATIONAL APPLICATION PUBLISHED UNDER THE PATENT COOPERATION TREATY (PCT)

(19) World Intellectual Property Organization  
International Bureau



(43) International Publication Date  
13 December 2001 (13.12.2001)

PCT

(10) International Publication Number  
WO 01/095539 A3

(51) International Patent Classification<sup>7</sup>: H04J 14/02,  
H04B 10/08, G01J 3/18, G02B 6/34

(21) International Application Number: PCT/US01/17598

(22) International Filing Date: 1 June 2001 (01.06.2001)

(25) Filing Language: English

(26) Publication Language: English

(30) Priority Data:  
60/208,477 2 June 2000 (02.06.2000) US  
60/208,478 2 June 2000 (02.06.2000) US  
09/724,604 28 November 2000 (28.11.2000) US

(71) Applicant: LIGHTCHIP, INC. [US/US]; 27 North-  
western Drive, Salem, NH 03079 (US).

(72) Inventor: CAPIELLO, Gregory,S.; 31 Glance Road,  
Windham, NH 03087 (US).

(74) Agent: ESSER, William, F.; Jenkins & Gilchrist, P.C.,  
1445 Ross Avenue, Suite 3200, Dallas, TX 75202 (US).

(81) Designated States (national): AE, AG, AL, AM, AT, AU,  
AZ, BA, BB, BG, BR, BY, BZ, CA, CH, CN, CO, CR, CU,  
CZ, DE, DK, DM, DZ, EC, EE, ES, FI, GB, GD, GE, GH,  
GM, HR, HU, ID, IL, IN, IS, JP, KE, KG, KP, KR, KZ, LC,  
LK, LR, LS, LT, LU, LV, MA, MD, MG, MK, MN, MW,  
MX, MZ, NO, NZ, PL, PT, RO, RU, SD, SE, SG, SI, SK,  
SL, TJ, TM, TR, TT, TZ, UA, UG, UZ, VN, YU, ZA, ZW.

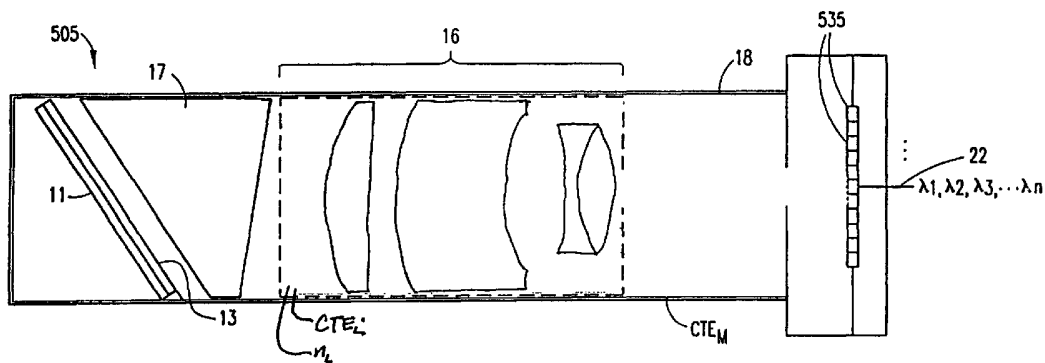
(84) Designated States (regional): ARIPO patent (GH, GM,  
KE, LS, MW, MZ, SD, SL, SZ, TZ, UG, ZW), Eurasian  
patent (AM, AZ, BY, KG, KZ, MD, RU, TJ, TM), European  
patent (AT, BE, CH, CY, DE, DK, ES, FI, FR, GB, GR, IE,  
IT, LU, MC, NL, PT, SE, TR), OAPI patent (BF, BJ, CF,  
CG, CI, CM, GA, GN, GW, ML, MR, NE, SN, TD, TG).

Published:  
— with international search report

(88) Date of publication of the international search report:  
9 January 2003

For two-letter codes and other abbreviations, refer to the "Guid-  
ance Notes on Codes and Abbreviations" appearing at the begin-  
ning of each regular issue of the PCT Gazette.

(54) Title: ATHERMALIZATION AND PRESSURE DESENSITIZATION OF DIFFRACTION GRATING BASED SPECTROM-  
ETER DEVICES



(57) Abstract: A device for monitoring wavelength division multiplexed optical signals for use in an optical network and in an optical performance monitor. A device has a structure for supporting components of the device. An optical component is supported at one end of the structure for transmitting the optical signals. A diffraction grating is supported at an opposing end of the structure for diffracting the optical signals from the optical component. An optical sensor is supported in relation to the diffraction grating by the structure for monitoring the optical signals. A telephoto lens assembly is supported by the structure and disposed between the optical sensor and the diffraction grating, the lens assembly having a focal length for focusing the optical signals in relation to the optical sensor. Thermal effects on the structure are balanced against thermal effects on the lens assembly. A prism is disposed between the lens assembly and diffraction grating. The prism is configured to anamorphically compress the diffracted optical signals. Thermal effects on the diffraction grating are balanced against thermal effects on the lens and prism.



WO 01/095539 A3

INTERNATIONAL SEARCH REPORT

International Application No

PCT/US 01/17598

A. CLASSIFICATION OF SUBJECT MATTER

IPC 7 H04J14/02 H04B10/08 G01J3/18 G02B6/34

According to International Patent Classification (IPC) or to both national classification and IPC

B. FIELDS SEARCHED

Minimum documentation searched (classification system followed by classification symbols)

IPC 7 G02B H04B H04J G01J

Documentation searched other than minimum documentation to the extent that such documents are included in the fields searched

Electronic data base consulted during the international search (name of data base and, where practical, search terms used)

INSPEC, EPO-Internal, WPI Data, PAJ

C. DOCUMENTS CONSIDERED TO BE RELEVANT

Category °	Citation of document, with indication, where appropriate, of the relevant passages	Relevant to claim No.
X	US 5 991 482 A (LAUDE JEAN-PIERRE) 23 November 1999 (1999-11-23) abstract; figures 1-3 column 1, line 51 -column 2, line 32 column 2, line 53 -column 3, line 48 ---	1-10
E	US 6 307 657 B1 (FORD JOSEPH EARL) 23 October 2001 (2001-10-23) abstract; figure 9 column 4, line 40 column 5, line 30 - line 51 ---	1,6
A	EP 0 942 265 A (LUCENT TECHNOLOGIES INC) 15 September 1999 (1999-09-15) abstract; figure 3 column 4, paragraph 12 -column 5, paragraph 13 --- -/--	1,6

Further documents are listed in the continuation of box C.

Patent family members are listed in annex.

° Special categories of cited documents :

- \*A\* document defining the general state of the art which is not considered to be of particular relevance
- \*E\* earlier document but published on or after the international filing date
- \*L\* document which may throw doubts on priority claim(s) or which is cited to establish the publication date of another citation or other special reason (as specified)
- \*O\* document referring to an oral disclosure, use, exhibition or other means
- \*P\* document published prior to the international filing date but later than the priority date claimed

- \*T\* later document published after the international filing date or priority date and not in conflict with the application but cited to understand the principle or theory underlying the invention
- \*X\* document of particular relevance; the claimed invention cannot be considered novel or cannot be considered to involve an inventive step when the document is taken alone
- \*Y\* document of particular relevance; the claimed invention cannot be considered to involve an inventive step when the document is combined with one or more other such documents, such combination being obvious to a person skilled in the art.
- \*&\* document member of the same patent family

Date of the actual completion of the international search

30 August 2002

Date of mailing of the international search report

11/09/2002

Name and mailing address of the ISA

European Patent Office, P.B. 5818 Patentlaan 2  
NL - 2280 HV Rijswijk  
Tel. (+31-70) 340-2040, Tx. 31 651 epo nl,  
Fax: (+31-70) 340-3016

Authorized officer

Faderl, I

## INTERNATIONAL SEARCH REPORT

International Application No

PCT/US 01/17598

## C.(Continuation) DOCUMENTS CONSIDERED TO BE RELEVANT

Category °	Citation of document, with indication, where appropriate, of the relevant passages	Relevant to claim No.
A	EP 0 123 237 A (LICENTIA GMBH) 31 October 1984 (1984-10-31) abstract; figure 1 page 3, line 10 - line 30 -----	1,6
A	LAUDE J P: "New athermal very dense wavelength division multiplexers" ECOC 2000. 26TH EUROPEAN CONFERENCE ON OPTICAL COMMUNICATION, PROCEEDINGS OF 26TH EUROPEAN CONFERENCE ON OPTICAL COMMUNICATION, MUNICH, GERMANY, 3-7 SEPT. 2000, pages 181-182 vol.3, XP008007173 2000, Berlin, Germany, VDE Verlag, Germany ISBN: 3-8007-2567-3 the whole document -----	1,6
A	US 6 011 884 A (HUNTER BOYD V ET AL) 4 January 2000 (2000-01-04) abstract; figures column 1, line 64 -column 2, line 16 column 7, line 5 - line 31 -----	1,6

**INTERNATIONAL SEARCH REPORT**  
Information on patent family members

International Application No

PCT/US 01/17598

Patent document cited in search report		Publication date	Patent family member(s)	Publication date
US 5991482	A	23-11-1999	FR 2765972 A1	15-01-1999
			EP 0890855 A1	13-01-1999
			JP 11125733 A	11-05-1999
<hr/>				
US 6307657	B1	23-10-2001	NONE	
<hr/>				
EP 0942265	A	15-09-1999	EP 0942265 A2	15-09-1999
			JP 2000082838 A	21-03-2000
<hr/>				
EP 0123237	A	31-10-1984	DE 3314820 A1	25-10-1984
			DE 3460424 D1	11-09-1986
			EP 0123237 A1	31-10-1984
<hr/>				
US 6011884	A	04-01-2000	AU 1910099 A	05-07-1999
			BR 9814279 A	21-11-2000
			CA 2313205 A1	24-06-1999
			CN 1281555 T	24-01-2001
			EP 1038192 A2	27-09-2000
			JP 2002508532 T	19-03-2002
			WO 9931532 A2	24-06-1999
			US 6263135 B1	17-07-2001
			US 6243513 B1	05-06-2001
			US 6404945 B1	11-06-2002
			US 6298182 B1	02-10-2001