

(19) World Intellectual Property Organization
International Bureau



(43) International Publication Date
23 November 2006 (23.11.2006)

PCT

(10) International Publication Number
WO 2006/124143 A3

- (51) International Patent Classification:
G02B 3/00 (2006.01)
- (21) International Application Number:
PCT/US2006/012951
- (22) International Filing Date: 7 April 2006 (07.04.2006)
- (25) Filing Language: English
- (26) Publication Language: English
- (30) Priority Data:
60/669,203 7 April 2005 (07.04.2005) US
Not furnished 6 April 2006 (06.04.2006) US
- (71) Applicants and
- (72) Inventors: CULLEN, Mary [US/US]; 1058 Piedmont Ave., #204, Atlanta, Georgia 30309 (US). RUSERT, Craig [US/US]; 57 Forsyth Street, Unit 13D, Atlanta, Georgia 30303 (US).
- (74) Agent: O'BRADOVICH, Greg; Myers & Kaplan Intellectual Property Law, LLC, Cumberland Center II, 3100 Cumberland Blvd., Suite 1400, Atlanta, GA 30339 (US).
- (81) Designated States (unless otherwise indicated, for every kind of national protection available): AE, AG, AL, AM, AT, AU, AZ, BA, BB, BG, BR, BW, BY, BZ, CA, CH, CN,

CO, CR, CU, CZ, DE, DK, DM, DZ, EC, EE, EG, ES, FI, GB, GD, GE, GH, GM, HR, HU, ID, IL, IN, IS, JP, KE, KG, KM, KN, KP, KR, KZ, LC, LK, LR, LS, LT, LU, LV, LY, MA, MD, MG, MK, MN, MW, MX, MZ, NA, NG, NI, NO, NZ, OM, PG, PH, PL, PT, RO, RU, SC, SD, SE, SG, SK, SL, SM, SY, TJ, TM, TN, TR, TT, TZ, UA, UG, US, UZ, VC, VN, YU, ZA, ZM, ZW.

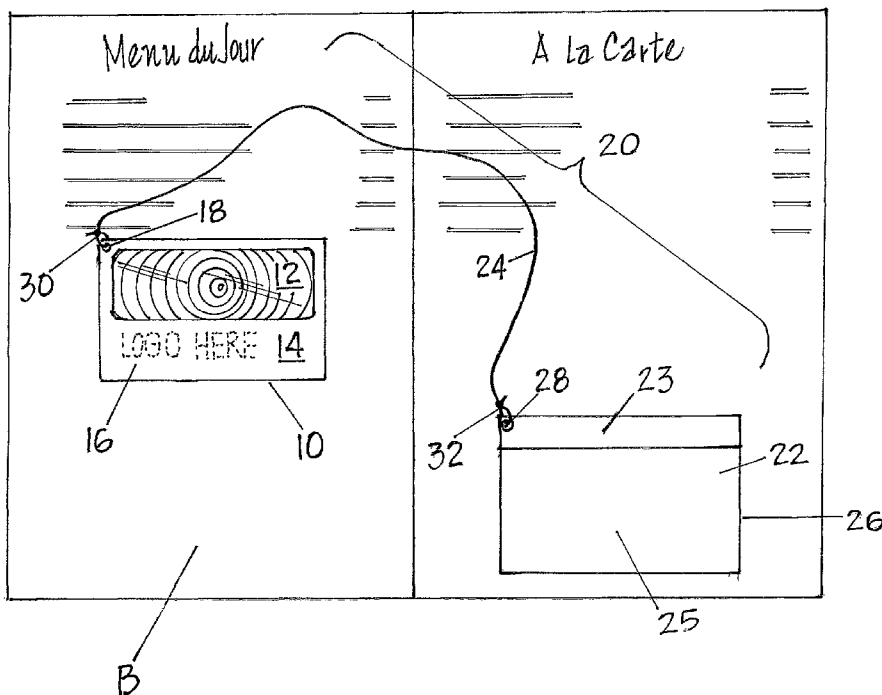
(84) Designated States (unless otherwise indicated, for every kind of regional protection available): ARIPO (BW, GH, GM, KE, LS, MW, MZ, NA, SD, SL, SZ, TZ, UG, ZM, ZW), Eurasian (AM, AZ, BY, KG, KZ, MD, RU, TJ, TM), European (AT, BE, BG, CH, CY, CZ, DE, DK, EE, ES, FI, FR, GB, GR, HU, IE, IS, IT, LT, LU, LV, MC, NL, PL, PT, RO, SE, SI, SK, TR), OAPI (BF, BJ, CF, CG, CI, CM, GA, GN, GQ, GW, ML, MR, NE, SN, TD, TG).

Published:
— with international search report
— before the expiration of the time limit for amending the claims and to be republished in the event of receipt of amendments

(88) Date of publication of the international search report:
1 November 2007

For two-letter codes and other abbreviations, refer to the "Guidance Notes on Codes and Abbreviations" appearing at the beginning of each regular issue of the PCT Gazette.

(54) Title: OPTICAL MAGNIFIER SYSTEM AND METHOD



(57) Abstract: A system and method for an optical magnifier, wherein an optical magnifier is actually or virtually coupled to an item of printed media, such as, for example, a restaurant menu, road map, book, magazine, brochure or the like. Accordingly, the magnifier and printed media are kept in close proximity to each other, wherein the magnifier may be easily and conveniently accessed to view fine print and other small symbols.

WO 2006/124143 A3

INTERNATIONAL SEARCH REPORT

International application No.

PCT/US06/12951

A. CLASSIFICATION OF SUBJECT MATTER
 IPC(8) - G02B 3/00 (2007.01)
 USPC - 359/809
 According to International Patent Classification (IPC) or to both national classification and IPC

B. FIELDS SEARCHED

Minimum documentation searched (classification system followed by classification symbols)
 IPC(8) - G01C 07/00, 07/02; G02B 3/00, 27/02; 09/00; B42D 3/00, 3/04, 3/12; (2007.01)
 USPC - 281/42; 116/236; 281/34, 42; 359/802, 798, 808, 807, 809 351/54, 115, 124; D19/26; D19/34

Documentation searched other than minimum documentation to the extent that such documents are included in the fields searched

Electronic data base consulted during the international search (name of data base and, where practicable, search terms used)
 USPTO WEB System (US, USPG-PUB), MicroPatent

C. DOCUMENTS CONSIDERED TO BE RELEVANT

Category*	Citation of document, with indication, where appropriate, of the relevant passages	Relevant to claim No.
X	US 5,382,053 A (TANAKA) 17 January 1995 (17.01.1995) see entire document	1-27
X, P	US 6,982,840 B1 (SCHLIEF) 03 January 2006 (03.01.2006) see entire document	1-27
A	US 3,140,883 A (ANTHONY) 14 July 1964 (14.07.1964) see entire document	1-27
A	US 6,033,068 A (SPILKIN et al) 07 March 2000 (07.03.2000) see entire document	1-27
A	US 5,333,907 A (SCHAEFFER) 02 August 1994 (02.08.1994) see entire document	1-27

Further documents are listed in the continuation of Box C.

* Special categories of cited documents:

"A" document defining the general state of the art which is not considered to be of particular relevance	"T" later document published after the international filing date or priority date and not in conflict with the application but cited to understand the principle or theory underlying the invention
"E" earlier application or patent but published on or after the international filing date	"X" document of particular relevance; the claimed invention cannot be considered novel or cannot be considered to involve an inventive step when the document is taken alone
"L" document which may throw doubts on priority claim(s) or which is cited to establish the publication date of another citation or other special reason (as specified)	"Y" document of particular relevance; the claimed invention cannot be considered to involve an inventive step when the document is combined with one or more other such documents, such combination being obvious to a person skilled in the art
"O" document referring to an oral disclosure, use, exhibition or other means	"&" document member of the same patent family
"P" document published prior to the international filing date but later than the priority date claimed	

Date of the actual completion of the international search
 11 April 2007

Date of mailing of the international search report

11 SEP 2007

Name and mailing address of the ISA/US
 Mail Stop PCT, Attn: ISA/US, Commissioner for Patents
 P.O. Box 1450, Alexandria, Virginia 22313-1450
 Facsimile No. 571-273-3201

Authorized officer:
 Blaine R. Copenheaver

PCT Helpdesk: 571-272-4300
 PCT OSP: 571-272-7774