



US00D799028S

(12) **United States Design Patent**
Giancursio, II et al.

(10) **Patent No.:** **US D799,028 S**

(45) **Date of Patent:** **** Oct. 3, 2017**

(54) **TOXICOLOGY CUP**

(71) Applicant: **PRG Technologies Inc.**, Tustin, CA
(US)

(72) Inventors: **Thomas Joseph Giancursio, II**, Tustin,
CA (US); **Jesse Clemmer**, Huntington
Beach, CA (US)

(73) Assignee: **PRG Technologies, Inc.**, Tustin, CA
(US)

(**) Term: **15 Years**

(21) Appl. No.: **29/549,393**

(22) Filed: **Dec. 22, 2015**

(51) **LOC (10) Cl.** **24-02**

(52) **U.S. Cl.**
USPC **D24/122**

(58) **Field of Classification Search**
USPC D24/121, 123, 224; 604/317-325
CPC B65D 41/04; B65D 2251/023; B65D
41/0485

See application file for complete search history.

(56) **References Cited**

U.S. PATENT DOCUMENTS

4,428,384 A * 1/1984 Raitto A61B 10/007
600/573
D434,494 S * 11/2000 Wilkinson D24/122

D690,826 S * 10/2013 Kuroda D24/224
D695,416 S * 12/2013 Saliaris D24/224
D696,790 S * 12/2013 Nemeth D24/224
D717,462 S * 11/2014 Wainwright D24/216
D717,469 S * 11/2014 Nemeth D24/224
D731,672 S * 6/2015 Kuroda D24/224
D734,866 S * 7/2015 Maier D24/224
D765,836 S * 9/2016 Kammer D24/121
D767,158 S * 9/2016 Wang D24/223
D773,683 S * 12/2016 Kuroda D24/224
D775,327 S * 12/2016 Fuller D24/122

* cited by examiner

Primary Examiner — David Muller

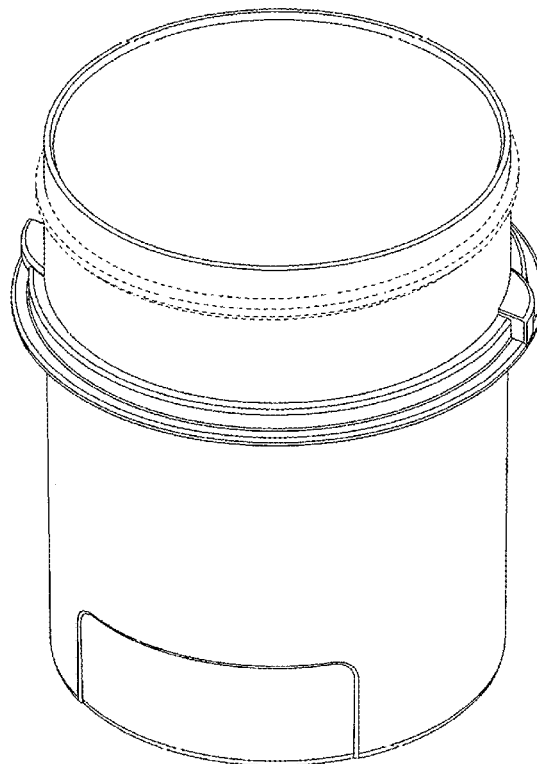
(57) **CLAIM**

The ornamental design for a toxicology cup, as shown and described.

DESCRIPTION

FIG. 1 is a perspective view of the claimed design for a toxicology cup;
FIG. 2 is a bottom perspective view
FIG. 3 is a front plan view thereof;
FIG. 4 is a bottom plan view thereof;
FIG. 5 is a rear plan view thereof;
FIG. 6 is a top view thereof;
FIG. 7 is a right side view thereof;
FIG. 8 is a left view thereof; and,
FIG. 9 is a perspective view thereof showing an example lid.
The features shown in broken lines depict environmental structure only and form no part of the claimed design.

1 Claim, 9 Drawing Sheets



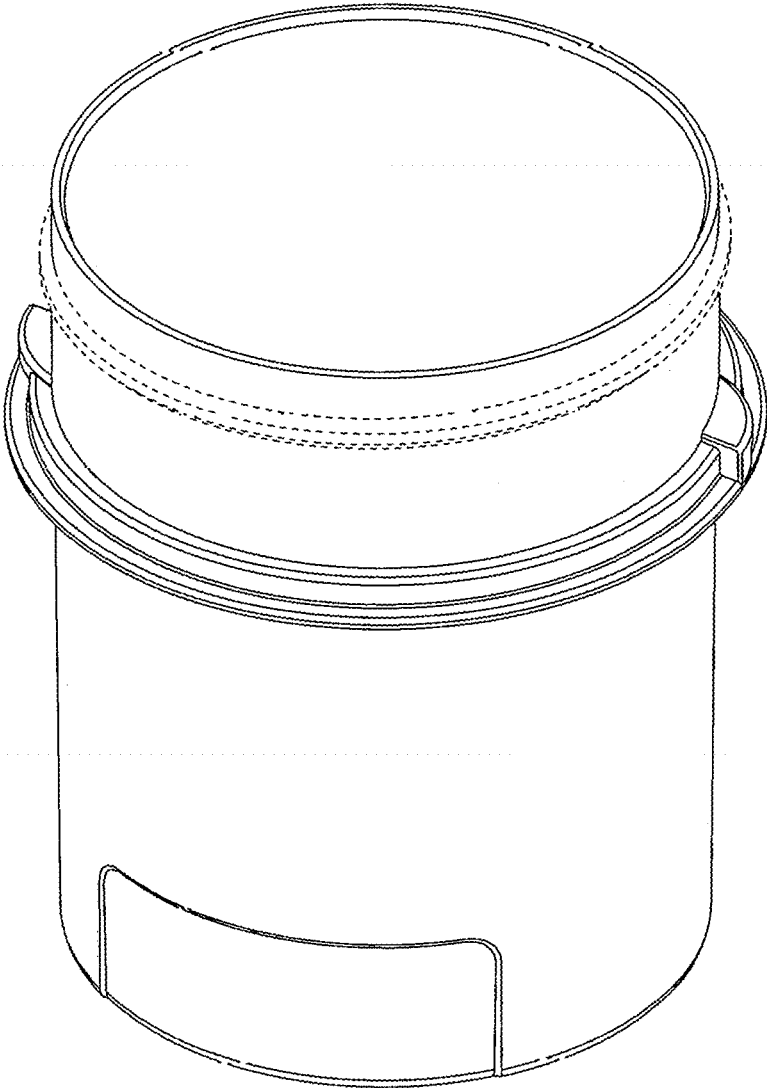


FIG. 1

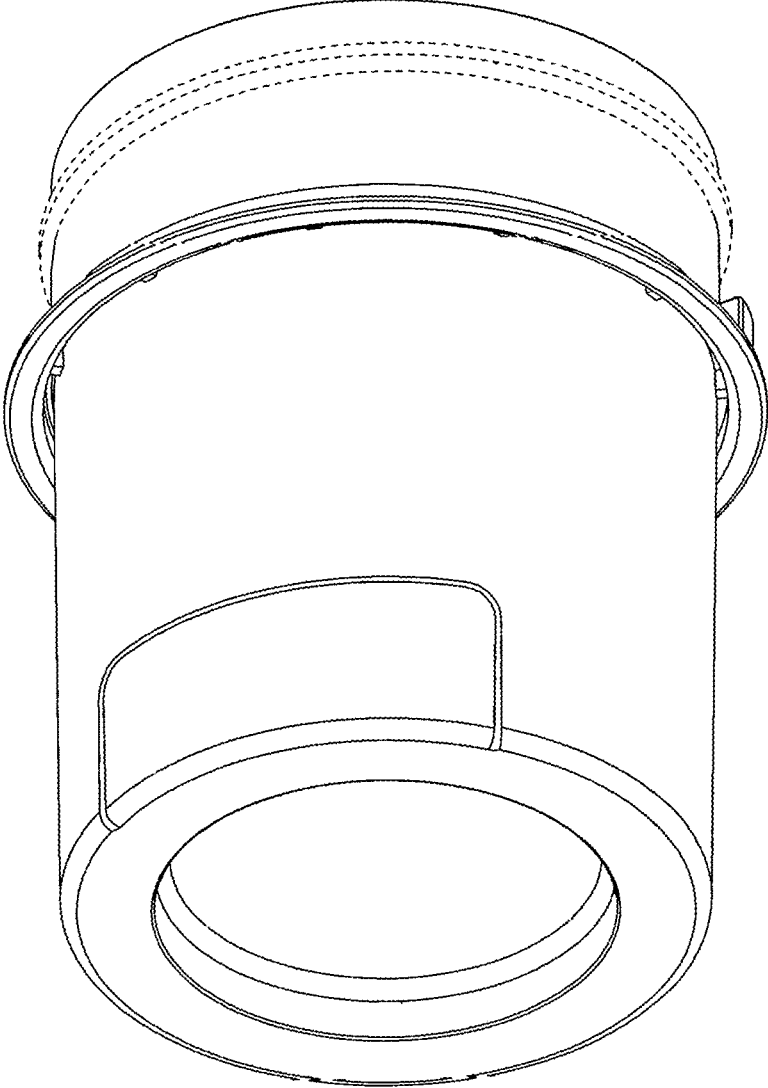


FIG. 2

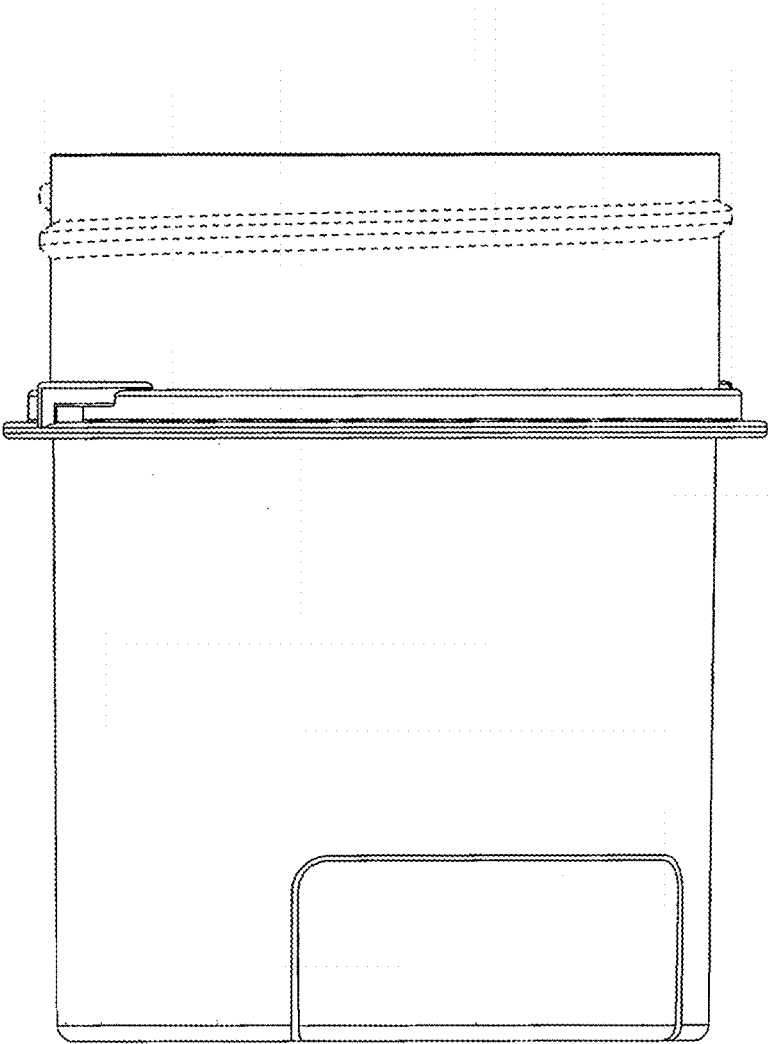


FIG. 3

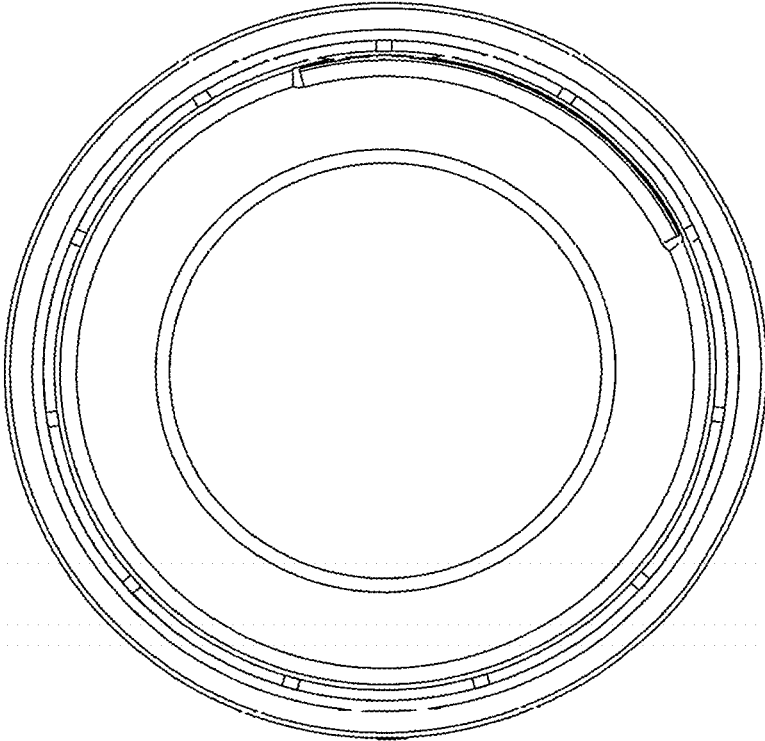


FIG. 4

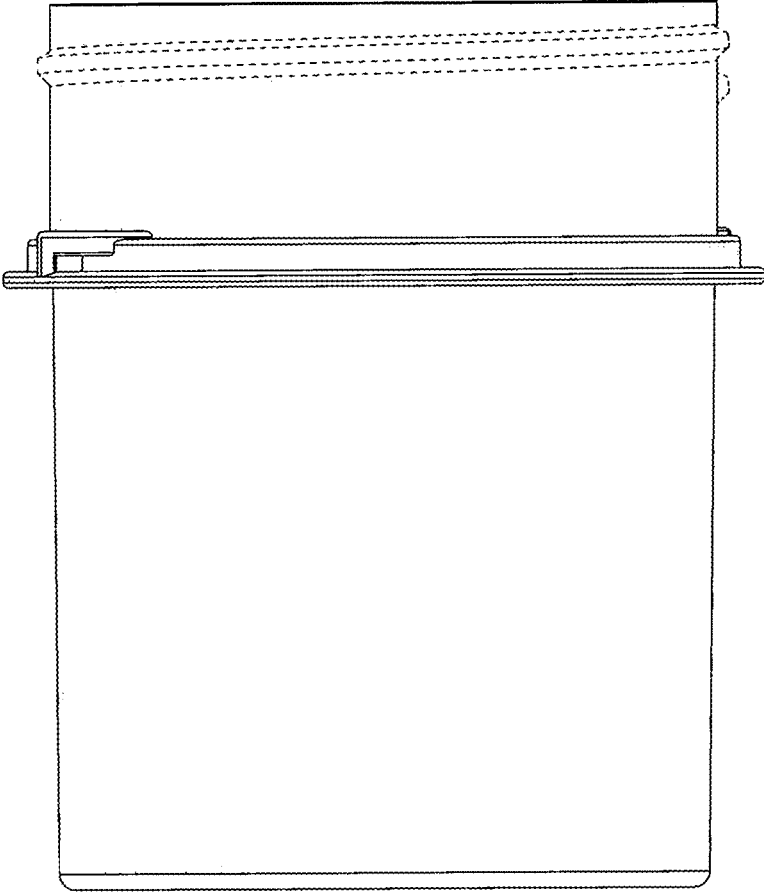


FIG. 5

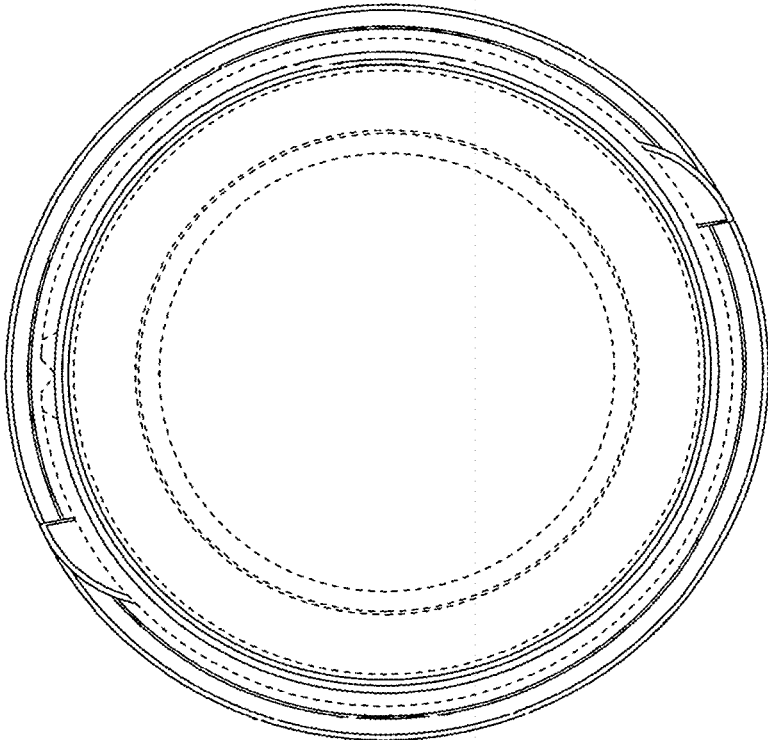


FIG. 6

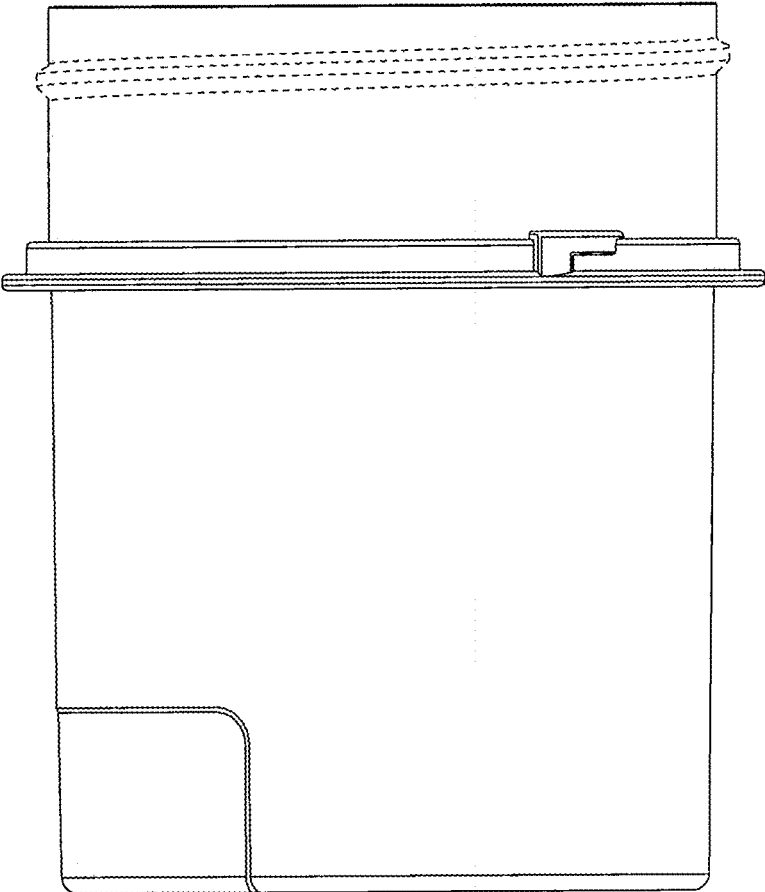


FIG. 7

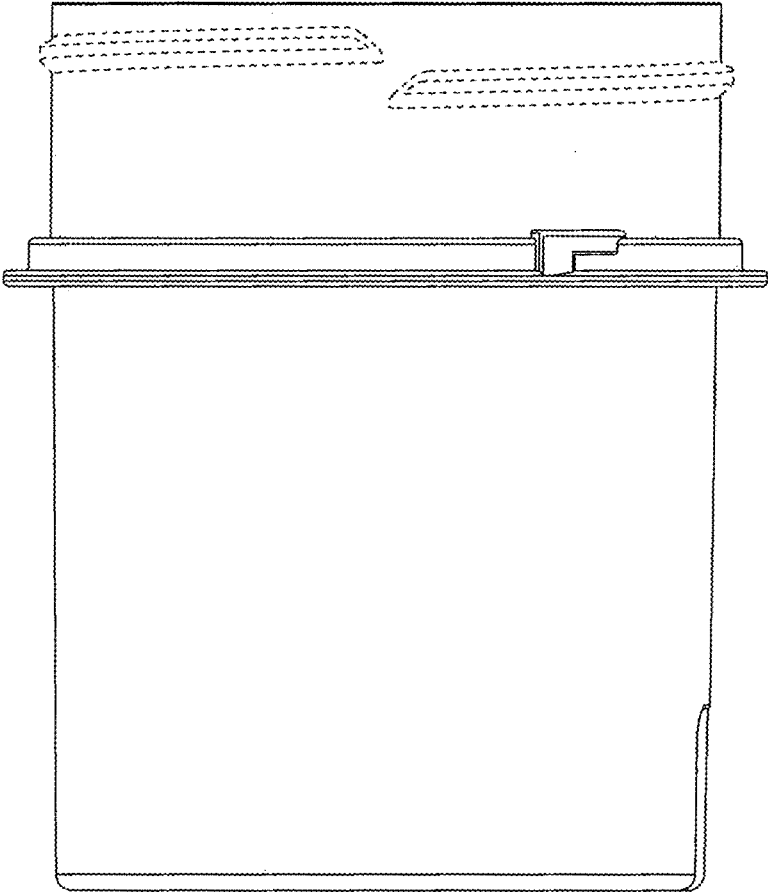


FIG. 8

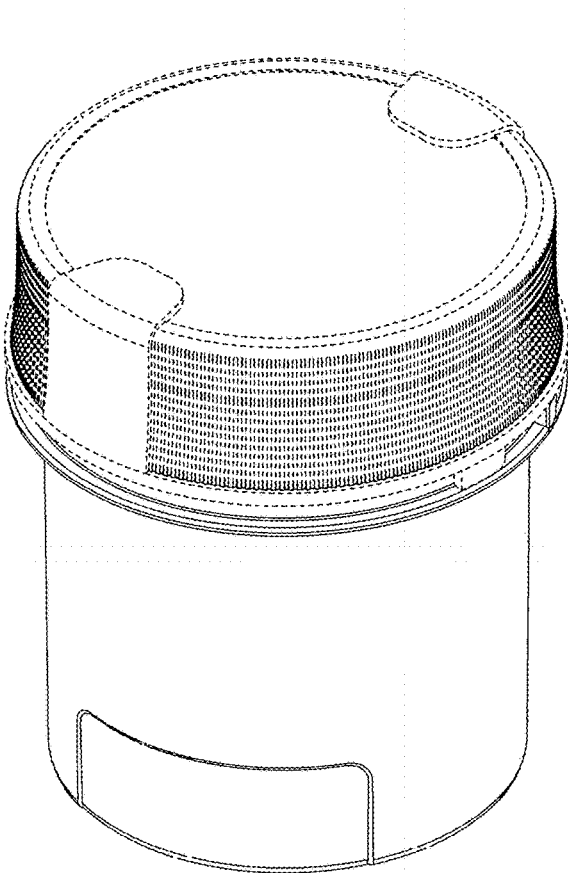


FIG. 9