



US00D754136S

(12) **United States Design Patent**
Schoening

(10) **Patent No.:** **US D754,136 S**

(45) **Date of Patent:** **** Apr. 19, 2016**

(54) **CPU HOLDER**

(71) Applicant: **Clarity Consulting Group, LLC,**
Visalia, CA (US)

(72) Inventor: **Mark Schoening,** Portland, OR (US)

(73) Assignee: **Clarity Consulting Group, LLC,**
Visalia, CA (US)

(**) Term: **14 Years**

(21) Appl. No.: **29/524,861**

(22) Filed: **Apr. 23, 2015**

(51) **LOC (10) Cl.** **08-07**

(52) **U.S. Cl.**
USPC **D14/447**

(58) **Field of Classification Search**
USPC D14/447, 432, 434, 439, 440, 451, 452,
D14/457, 239; D8/363, 373, 380; D6/406.3,
D6/406.4, 406.5, 406.6; D12/415
CPC A47B 21/04; A47B 2097/006; A47B
2097/005; A47B 2023/049; A45C 2011/002;
A45C 2011/003; F16M 2200/00; F16M 13/00
See application file for complete search history.

(56) **References Cited**

U.S. PATENT DOCUMENTS

D637,187 S * 5/2011 Burns D14/253
D643,635 S * 8/2011 Harding D6/310
D651,213 S * 12/2011 Magness D14/447

D652,043 S * 1/2012 Lee D14/447
D680,547 S * 4/2013 Williams D14/447
D703,676 S * 4/2014 Smith D14/447
D704,197 S * 5/2014 Aber D14/447
D717,306 S * 11/2014 Clouser D14/447
D722,068 S * 2/2015 Jung D14/447
D722,317 S * 2/2015 Parameshwara D14/447
D730,914 S * 6/2015 Park D14/447
2012/0168590 A1 * 7/2012 Yang F16M 11/10
248/346.3
2016/0029797 A1 * 2/2016 King A47B 97/00
361/679.6

* cited by examiner

Primary Examiner — Angela J Lee

(74) *Attorney, Agent, or Firm* — Mark D. Miller

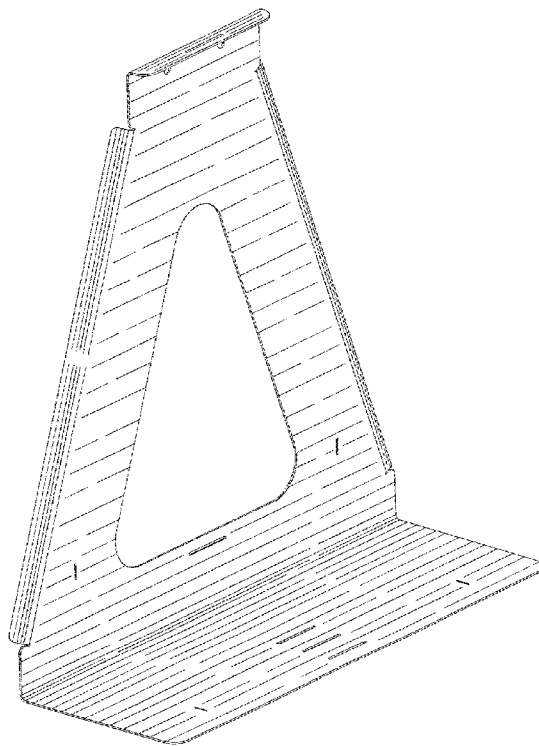
(57) **CLAIM**

I claim the ornamental design for a CPU holder, as shown and described.

DESCRIPTION

FIG. 1 is a front perspective view of a CPU holder showing my new design;
FIG. 2 is a rear perspective view thereof;
FIG. 3 is a front elevational view thereof;
FIG. 4 is a rear elevational view thereof;
FIG. 5 is a top plan view thereof;
FIG. 6 is a bottom plan view thereof;
FIG. 7 is a left side elevational view thereof; and,
FIG. 8 is a right side elevational view thereof.
The broken lines on the surface portion indicate contour and not surface decoration.

1 Claim, 4 Drawing Sheets



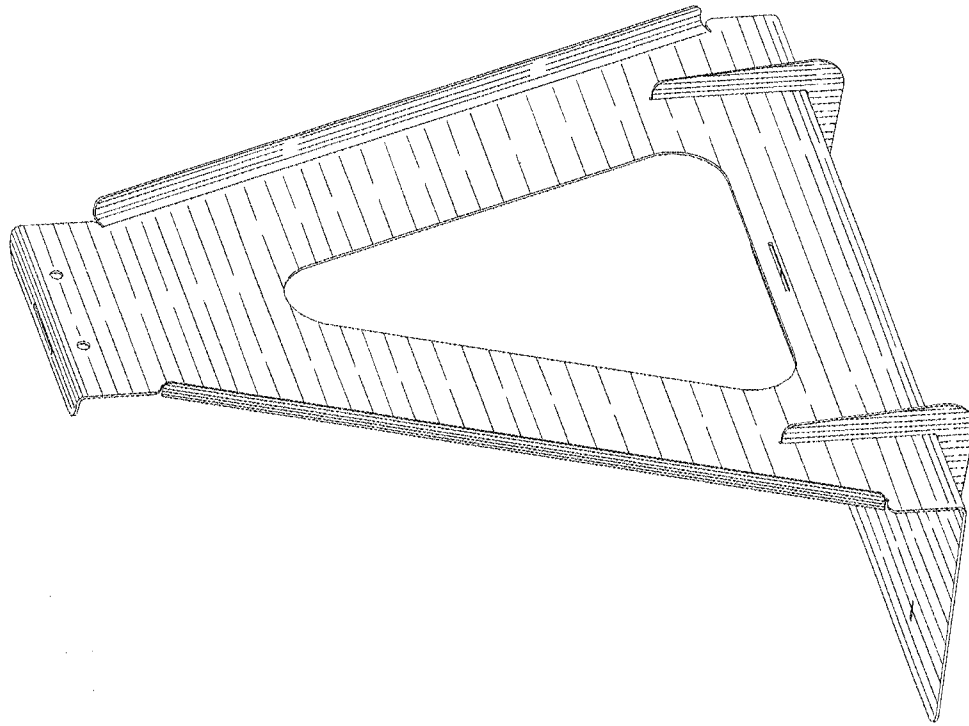


FIG. 2

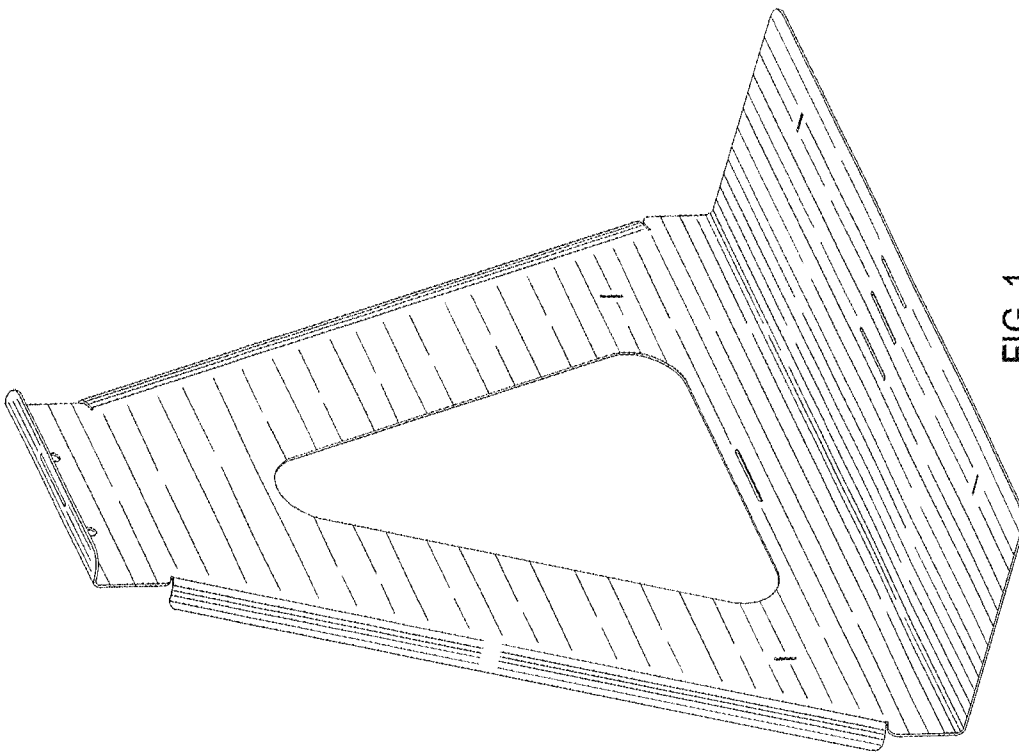


FIG. 1

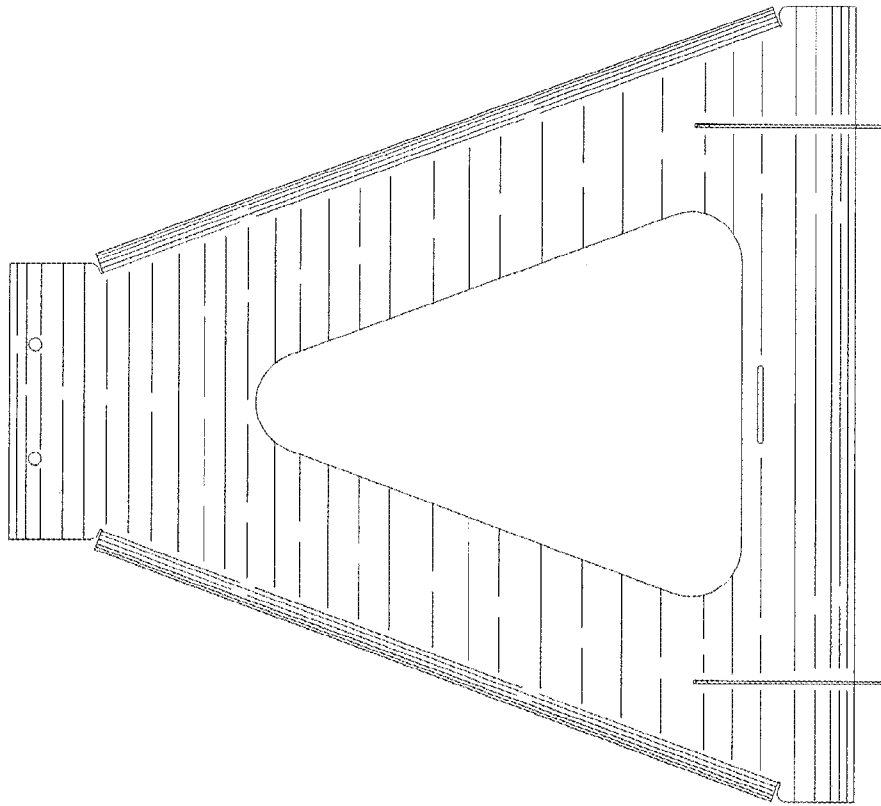


FIG. 4

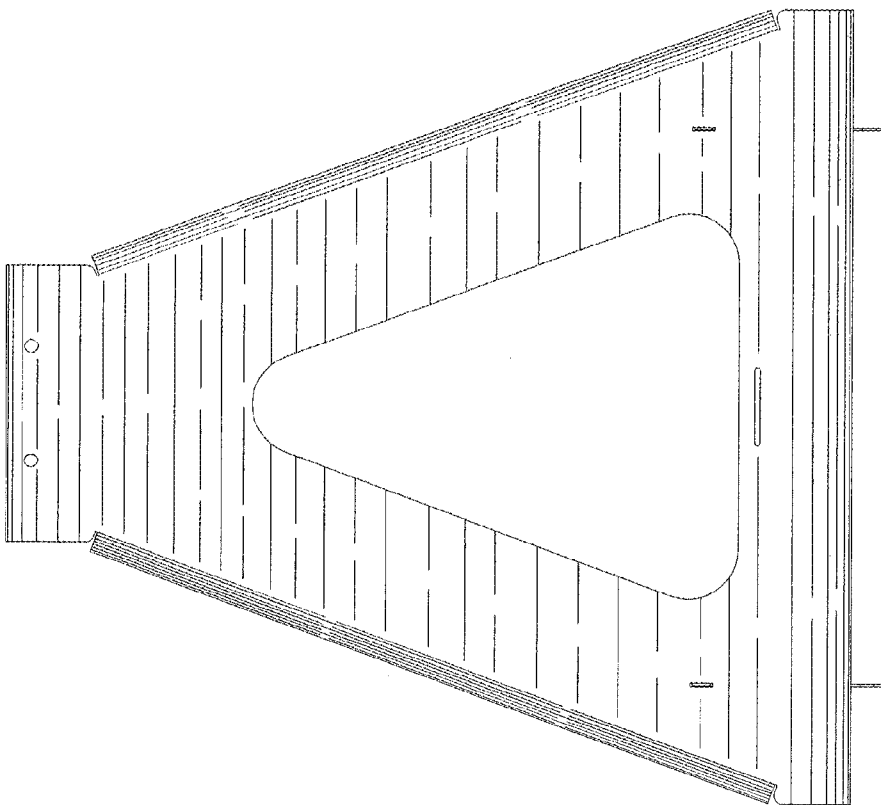


FIG. 3

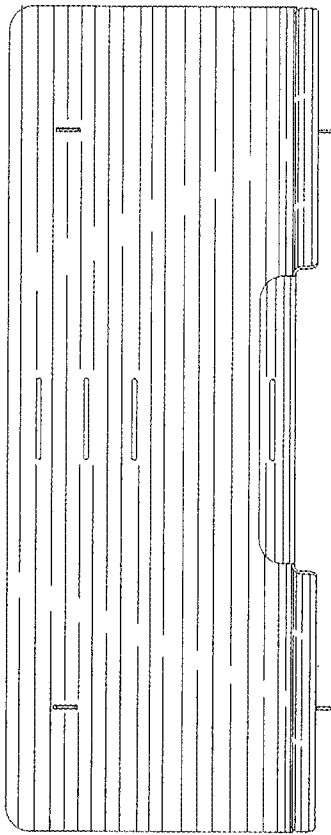


FIG. 5

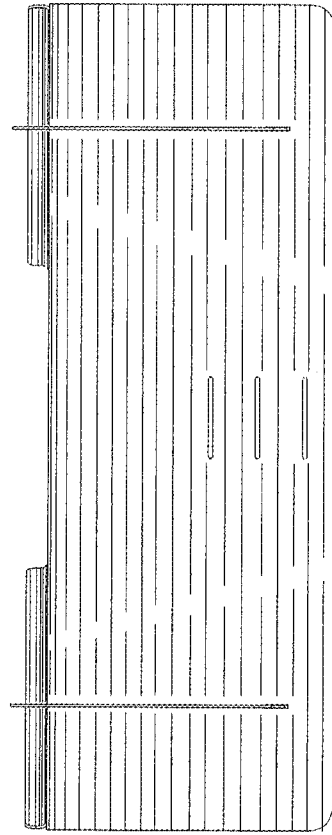


FIG. 6

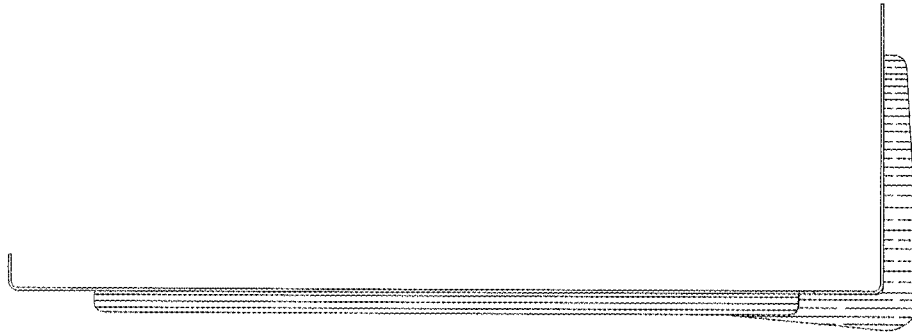


FIG. 8

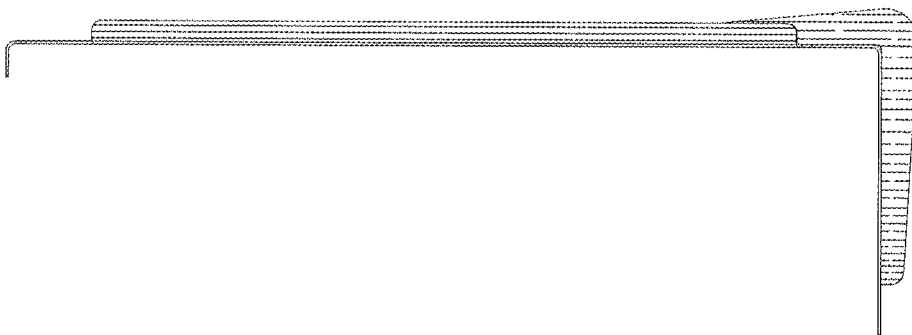


FIG. 7