

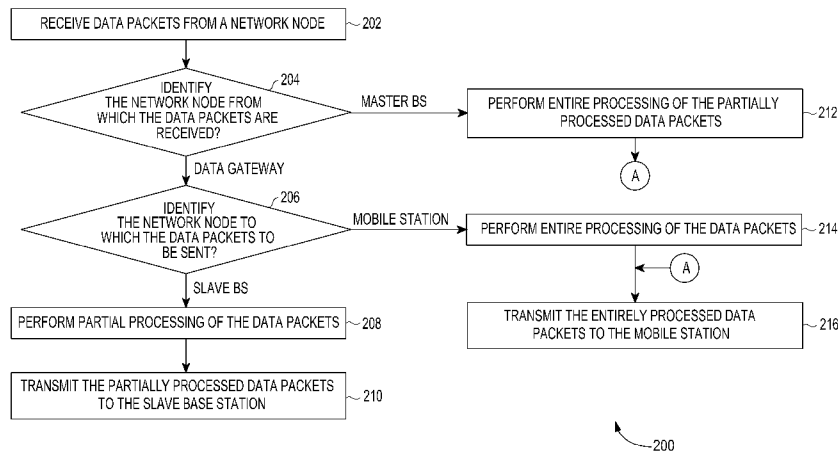


- (51) International Patent Classification:
H04L 29/06 (2006.01) H04L 12/66 (2006.01)
- (21) International Application Number:
PCT/KR2013/003111
- (22) International Filing Date:
12 April 2013 (12.04.2013)
- (25) Filing Language: English
- (26) Publication Language: English
- (30) Priority Data:
1499/CHE/2012 13 April 2012 (13.04.2012) IN
- (71) Applicant: SAMSUNG ELECTRONICS CO., LTD.
[KR/KR]; 129, Samsung-ro, Yeongtong-gu, Suwon-si,
Gyeonggi-do 443-742 (KR).
- (72) Inventors: AGIWAL, Anil; Bagmane Lakeview, Block
'B', No. 66/1, Bagmane Tech Park, C.V. Raman Nagar,
Byrasandra, Bangalore 560093 (IN). CHANG, Young-
Bin; #206-1102, Mugunghwa Kumho APT., Sin-
chon-dong, Dongan-gu, Anyang-si, Gyeonggi-do 431-739
(KR).
- (74) Agents: LEE, Keon-Joo et al.; Mihwa Bldg. 110-2, My-
ongryun-dong 4-ga, Chongro-gu, Seoul 110-524 (KR).

- (81) Designated States (unless otherwise indicated, for every kind of national protection available): AE, AG, AL, AM, AO, AT, AU, AZ, BA, BB, BG, BH, BN, BR, BW, BY, BZ, CA, CH, CL, CN, CO, CR, CU, CZ, DE, DK, DM, DO, DZ, EC, EE, EG, ES, FI, GB, GD, GE, GH, GM, GT, HN, HR, HU, ID, IL, IN, IS, JP, KE, KG, KM, KN, KP, KR, KZ, LA, LC, LK, LR, LS, LT, LU, LY, MA, MD, ME, MG, MK, MN, MW, MX, MY, MZ, NA, NG, NI, NO, NZ, OM, PA, PE, PG, PH, PL, PT, QA, RO, RS, RU, RW, SC, SD, SE, SG, SK, SL, SM, ST, SV, SY, TH, TJ, TM, TN, TR, TT, TZ, UA, UG, US, UZ, VC, VN, ZA, ZM, ZW.
- (84) Designated States (unless otherwise indicated, for every kind of regional protection available): ARIPO (BW, GH, GM, KE, LR, LS, MW, MZ, NA, RW, SD, SL, SZ, TZ, UG, ZM, ZW), Eurasian (AM, AZ, BY, KG, KZ, RU, TJ, TM), European (AL, AT, BE, BG, CH, CY, CZ, DE, DK, EE, ES, FI, FR, GB, GR, HR, HU, IE, IS, IT, LT, LU, LV, MC, MK, MT, NL, NO, PL, PT, RO, RS, SE, SI, SK, SM, TR), OAPI (BF, BJ, CF, CG, CI, CM, GA, GN, GQ, GW, ML, MR, NE, SN, TD, TG).

Published: — with international search report (Art. 21(3))

(54) Title: METHOD AND APPARATUS FOR COMMUNICATING DATA PACKETS IN A CLOUD CELL



(57) Abstract: The present disclosure provides a method and apparatus for communicating data packets in a cloud cell. In one embodiment, a network node from which data packets are received is identified by the BS. If the data packets are received from a data gateway, a network node to which the data packets to be sent is identified. If the data packets are to be sent to a slave BS, partial processing is performed on the data packets by the master BS. Furthermore, partially processed data packets are transmitted to the slave BS so that the slave BS performs complete processing on the partially processed data packets and transmits the completely processed data packets to the MS. If the data packets are to be sent to the MS, then complete processing of the data packets is performed by the BS and transmitted to the MS.

WO 2013/154400 A1

Description

Title of Invention: METHOD AND APPARATUS FOR COMMUNICATING DATA PACKETS IN A CLOUD CELL

Technical Field

- [1] The present disclosure relates to the field of Millimeter-Wave Mobile Broadband (MMB) system, and more particularly relates to a method and apparatus for communicating data packets in a cloud cell.

Background Art

- [2] Millimeter-Wave Mobile Broadband (MMB) system is a millimeter wave based system which operates in a radio frequency range of 30 Gigahertz (GHZ) and 300 GHz. MMB system uses radio waves with wavelength in range of 1 millimeter (mm) to 10mm and is a candidate for next generation mobile communication technology due to considerable amount of spectrum available in mmWave band.
- [3] Generally, in a MMB system, MMB base stations are deployed with higher density than macro-cellular base stations in order to ensure good network coverage. This is possible as transmission and reception of signals is based on narrow beams which suppress interference from neighbouring MMB base stations and extend the range of an MMB link.
- [4] Typically, in a MMB network, multiple MMB base stations form a grid with a large number of nodes with which a mobile station can communicate, thereby ensuring high quality equal grade of service (EGOS) irrespective of the location of the mobile station. The grid having a plurality of MMB base stations serving a mobile station is commonly termed as virtual cell or cloud cell. In a cloud cell, the multiple base stations communicating with the mobile stations need to perform downlink transmission beamforming while the mobile stations communicating with the base stations need to perform downlink reception beamforming for receiving downlink control information and data packets. Similarly, a mobile station communicating with a base station in a cloud cell may need to perform uplink transmission beamforming while the base station needs to perform uplink reception beamforming for transmitting uplink data.
- [5] Further, in a cloud cell, one of the base stations acts a master base station and remaining base stations acts slave base stations with respect to the mobile station. In overlapping cloud cell scenario, a base station can be a part of more than one cloud cells. In one cloud cell, the base station acts as a master base station for one mobile station and in another cloud cell, the base station act as a slave base station for another mobile station.

- [6] In a conventional cellular system, in which a mobile station communicates with a single base station, the base station receives data packets from the IP network via data gateway in downlink, performs Medium Access Control (MAC) and Physical (PHY) processing of the data packets and transmits physical burst carrying the processed data packets to the mobile station. In the uplink, the base station receives physical bursts from the mobile station, performs PHY and MAC processing of the physical bursts, and transmits data packets to an Internet Protocol (IP) network via the data gateway.
- [7] In another conventional cellular system, in which a mobile station communicates with a base station via a relay station, the base station receives data packets from the IP network via data gateway in downlink, performs MAC processing of the data packets and transmits MAC Protocol Data Units (PDUs) to the relay station. The relay station performs PHY processing of the MAC PDUs and transmits the physical bursts carrying the MAC PDUs to the mobile station. In the uplink, the relay station receives the physical burst from the mobile station, performs PHY processing of the physical burst and transmits the MAC PDUs received in the physical bursts to the base station so that the base station transmits the data packets containing the MAC PDUs to the data gateway.
- [8] However, in a cloud cell environment, since multiple base stations are grouped together to serve a mobile station and the mobile station communicates with multiple base stations in a cloud cell, it is desirable to address problems associated with routing data packets from the IP network to the mobile station through the base station(s) in the cloud cell, processing of data packets across the base station(s) in the cloud cell in downlink and uplink and routing data packets from the mobile station to the IP network through the base station(s) in the cloud cell.

Disclosure of Invention

Technical Problem

- [9] To address the above-discussed deficiencies of the prior art, an aspect of the present invention to provide a method and apparatus for communicating data packets in a cloud cell.

Solution to Problem

- [10] In one aspect, a method includes identifying a first network node from which at least one data packet intended for a mobile station in a cloud cell is received by a base station, where the first network node may include one of a data gateway and a master base station of the cloud cell.
- [11] The method further includes identifying a second network node in the cloud cell to which the at least one data packet is to be sent if the at least one data packet is received from the data gateway, where the second network node includes one of the mobile

station and one of slave base stations of the cloud cell. Furthermore, the method includes performing entire processing of the at least one data packet received from the data gateway and transmitting the entirely processed data packet to the mobile station if the second network node is the mobile station.

- [12] Alternatively, the method includes performing partial processing of the at least one data packet received from the data gateway if the second network node is said one of the slave base stations and transmitting the partially processed data packet to said one of the slave base stations so that said one of the slave base stations entirely processes the partially processed data packet and transmits the entirely processed data packet to the mobile station. Moreover, the method includes performing entire processing of the at least one data packet if the at least one data packet is received from the master base station and transmitting the entirely processed data packet to the mobile station, where the at least one data packet received from the master base station is a partially processed data packet.
- [13] In another aspect, a base station includes a processor and a memory coupled to the processor, where the memory includes a packet manager configured for performing the method described above.
- [14] In yet another aspect, a method of a base station for uplink data transmission in a cloud cell includes identifying a first network node in a cloud cell from which at least one data packet intended for an Internet Protocol (IP) network is received by a base station, where the first network node includes one of a mobile station and one of slave base stations. The method further includes identifying a second network node to which the at least one data packet is to be sent if the at least one data packet is received from the mobile station, where the second network node includes one of a data gateway and a master base station of the cloud cell.
- [15] Furthermore, the method includes performing complete processing of the at least one data packet received from the mobile station and transmitting the completely processed data packet to the data gateway if the second network node is the data gateway. Alternatively, the method includes performing partial processing of the at least one data packet received from the mobile station if the second network node is the master base station and transmitting the partially processed data packet to the master base station so that the master base station entirely processes the partially processed data packet and transmits the entirely processed data packet to the data gateway.
- [16] Moreover, the method includes performing entire processing of the at least one data packet if the at least one data packet is received from said one of the slave base stations and transmitting the entirely processed data packet to the data gateway, where the at least one data packet received from said one of the slave base stations is a partially processed data packet.

- [17] In further another aspect, a base station includes a processor and memory coupled to the processor, where the memory includes a packet manager configured for performing the method described above.
- [18] Other features of the embodiments will be apparent from the accompanying drawings and from the detailed description that follows.
- [19] Before undertaking the DETAILED DESCRIPTION below, it may be advantageous to set forth definitions of certain words and phrases used throughout this patent document: the terms "include" and "comprise," as well as derivatives thereof, mean inclusion without limitation; the term "or," is inclusive, meaning and/or; the phrases "associated with" and "associated therewith," as well as derivatives thereof, may mean to include, be included within, interconnect with, contain, be contained within, connect to or with, couple to or with, be communicable with, cooperate with, interleave, juxtapose, be proximate to, be bound to or with, have, have a property of, or the like; and the term "controller" means any device, system or part thereof that controls at least one operation, such a device may be implemented in hardware, firmware or software, or some combination of at least two of the same. It should be noted that the functionality associated with any particular controller may be centralized or distributed, whether locally or remotely. Definitions for certain words and phrases are provided throughout this patent document, those of ordinary skill in the art should understand that in many, if not most instances, such definitions apply to prior, as well as future uses of such defined words and phrases.

[20]

Brief Description of Drawings

- [21] For a more complete understanding of the present disclosure and its advantages, reference is now made to the following description taken in conjunction with the accompanying drawings, in which like reference numerals represent like parts:
- [22] Figure 1 is a schematic diagram illustrating a cloud cell environment, according to one embodiment of the present disclosure.
- [23] Figure 2 is a process flowchart illustrating an exemplary method of downlink communication of data packets in the cloud cell environment by a base station, according to one embodiment of the present disclosure.
- [24] Figure 3 is a process flowchart illustrating an exemplary method of uplink communication of data packets in the cloud cell environment by a base station, according to one embodiment of the present disclosure.
- [25] Figures 4A and 4B are schematic representations illustrating Medium Access Control (MAC) layer and Physical (PHY) layer processing performed by a base station in uplink and downlink, in the context of the present disclosure.

- [26] Figure 5 is a process flowchart illustrating a detailed method of downlink communication of data packets in the cloud cell environment by a base station, according to one embodiment of the present disclosure.
- [27] Figures 6A-6F are schematic representations illustrating downlink communication of data packets in the cloud cell environment by a base station, according to one embodiment of the present disclosure.
- [28] Figure 7 is a process flowchart illustrating a detailed method of uplink communication of data packets in the cloud cell environment by a base station, according to one embodiment of the present disclosure.
- [29] Figures 8A-8F are schematic representations illustrating uplink communication of data packets in the cloud cell environment by a base station, according to one embodiment of the present disclosure.
- [30] Figure 9 is a process flowchart illustrating a detailed method of downlink communication of data packets in the cloud cell environment by a base station, according to another embodiment of the present disclosure.
- [31] Figures 10A-10O are schematic representations illustrating downlink communication of data packets in the cloud cell environment by a base station, according to another embodiment of the present disclosure.
- [32] Figure 11 is a process flowchart illustrating a detailed method of uplink communication of data packets in the cloud cell environment by a base station, according to another embodiment of the present disclosure.
- [33] Figures 12A-12C are schematic representations illustrating uplink communication of data packets in the cloud cell environment by a base station, according to another embodiment of the present disclosure.
- [34] Figure 13 illustrates a block diagram of a base station showing various components for implementing embodiments of the present disclosure.
- [35] The drawings described herein are for illustration purposes only and are not intended to limit the scope of the present disclosure in any way.

Mode for the Invention

- [36] FIGURES 1 through 13, discussed below, and the various embodiments used to describe the principles of the present disclosure in this patent document are by way of illustration only and should not be construed in any way to limit the scope of the present disclosure. Those skilled in the art will understand that the principles of the present disclosure may be implemented in any suitably arranged telecommunication technologies. The present disclosure provides a method and apparatus for communicating data packets in a cloud cell. In the following detailed description of the embodiments of the present disclosure, reference is made to the accompanying drawings

that form a part hereof, and in which are shown by way of illustration specific embodiments in which the present disclosure may be practiced. These embodiments are described in sufficient detail to enable those skilled in the art to practice the present disclosure, and it is to be understood that other embodiments may be utilized and that changes may be made without departing from the scope of the present disclosure. The following detailed description is, therefore, not to be taken in a limiting sense, and the scope of the present disclosure is defined only by the appended claims.

- [37] Figure 1 is a schematic diagram illustrating a cloud cell environment 100, according to one embodiment of the present disclosure. The cloud cell environment 100 includes a plurality of cloud cells 110A-N. For the purpose of illustration, two cloud cells viz. the cloud cell 110A and the cloud cell 110B are depicted in Figure 1. The cloud cell 110A includes a multiple base stations (BSs) 106A-C serving a mobile station (MS) 108A. In the cloud cell 110A, the BS 106C is assigned a role of a master and remaining BSs 106A-B acts as a slave BS. Similarly, the cloud cell 110B includes multiple BSs 106C-F serving a MS 108B. In the cloud cell 110B, the BS 106E is a master BS while the remaining BSs 106C-D and 106F acts as slave BSs. As depicted in Figure 1, the BS 106C is a master BS for the cloud cell 110A and is a slave BS for the cloud cell 110B. It can be noted that, BSs in a cloud cell and a master BS keep changing based on the movement of MS.
- [38] In each of the cloud cells 110A-N, a master BS can directly communicate data packets with a data gateway 104 while a slave BS communicates with the data gateway via the master BS. The master BS can be physically or logically connected to the data gateway 104. The data gateway 104 can be a logical entity residing in one of BSs in a wireless communication network. The data gateway 104 can be directly connected to an Internet Protocol (IP) network or connected via other network nodes. Also, the master BS in the cloud cell can directly communicate data packets with MS or via another slave BS.
- [39] According to the present disclosure, the BSs 106A-F processes data packets intended for data gateway 104/MS 108A-B based on a source network node (e.g., data gateway, master BS, slave BS or MS) from which the data packets are received and a destination network node (e.g., data gateway, master BS, slave BS or MS) to which the data packets are to be sent. It is appreciated that, each BS in a cloud cell environment 100 is capable of performing entire data packet processing functions on data packets in downlink as well as uplink. The detailed steps of processing and transmitting/receiving data packets by a master/slave BS in uplink and downlink are described in the following description.
- [40] Figure 2 is a process flowchart 200 illustrating an exemplary method of downlink communication of data packets in the cloud cell environment 100 by a BS, according

to one embodiment of the present disclosure. Consider that, at step 202, data packets are received from a network node by the BS 106C. At step 204, the network node from which the data packets are received is identified by the BS 106C. For example, the BS 106C can receive the data packets directly from the data gateway 104 if the BS 106C acts a master BS of the Cloud Cell (CC) 110A. However, the BS 106C can receive the data packets from the BS 106E, which is master BS in the CC 110B, if the BS 106C acts as a slave base station with respect to the cloud cell 110B.

[41] If the data packets are received from the data gateway 104, at step 206, a network node to which the data packets to be sent is identified. For example, the BS 106C can send the data packets directly to the MS 108A. Alternatively, the BS 106C can send the data packets to another BS (e.g., the BS 106A) which is a slave BS in the CC 110A.

[42] If the data packets are to be sent to the BS 106A, at step 208, partial processing of the data packets is performed by the BS 106C. In one embodiment, in partially processing the data packets, the BS 106C generates the Medium Access Control (MAC) Service Data Units (SDUs) from the data packets received from the data gateway 104, generates Automatic Repeat Request (ARQ) blocks from the MAC SDUs, and generates MAC Protocol Data Units (PDUs) by applying the fragmentation and packing function on the ARQ blocks or MAC SDUs. It can be noted that, the security function is optional and if enabled, the BS 106C generates encrypted MAC SDUs from the data packets received from the data gateway 104. The BS 106C processes the MAC SDUs (encrypted or unencrypted) using an ARQ function to generate the ARQ blocks. The ARQ function is optional and is not needed for all the MAC SDUs. It is understood that, the BS 106C applies the ARQ function for the MAC SDUs of an ARQ enabled connection. The BS 106C then generates the MAC PDUs by applying fragmentation and packing function on the ARQ blocks for the ARQ enabled connection. It can be noted that, a single MAC PDU upon applying the fragmentation and packing function consists of one ARQ block fragment or multiple ARQ block fragments and/or unfragmented ARQ blocks.

[43] Alternatively, for an ARQ enabled connection, the BS 106C applies fragmentation and packing function on the MAC SDUs to generate the ARQ block. In this case, the BS 106C does not apply fragmentation and packing function on the ARQ block to generate the MAC PDUs. In case of non-ARQ enabled connection, the BS 106C generates the MAC PDUs by applying fragmentation and packing function on the MAC SDUs. It can be noted that, a single MAC PDU upon applying the fragmentation and packing function consists of one MAC SDU fragment or multiple MAC SDU fragments and/or unfragmented MAC SDUs. The BS 106C can also multiplex ARQ blocks or MAC SDUs received from multiple connections in a single MAC PDU in

case multiplexing is enabled.

- [44] In another embodiment, in partially processing the data packets, the BS 106C generates the MAC SDUs from the data packets received from the data gateway 104 and generates ARQ blocks from the MAC SDUs. It can be noted that, the security function is optional and if enabled, the BS 106C generates encrypted MAC SDUs from the data packets received from the data gateway 104. The MAC SDUs (encrypted or unencrypted) are then processed by ARQ function to generate the ARQ blocks. The ARQ function is optional and cannot be needed for all the MAC SDUs. It can be noted that, the BS 106C applies the ARQ function for the MAC SDUs of an ARQ enabled connection.
- [45] At step 210, the partially processed data packets and a logical identifier of the MS 108A are transmitted to the slave BS 106A so that the slave BS 106A performs entire processing of the partially processed data packets and transmits the completely processed data packets to the MS 108A based on the logical identifier of the MS 108A.
- [46] In one embodiment, in entirely processing the partially processed data packet, the slave BS 106A performs complete PHY layer processing of the partially processed data packet. The slave BS 106A generates one or more Physical (PHY) PDUs from the data packets (i.e., MAC PDUs) received from the master BS 106C. Then, the BS 106A processes the PHY PDUs using the physical layer processing functions such as coding, modulation, interleaving and the like, and transmits the processed PHY PDUs to the MS 108A.
- [47] In another embodiment, in entirely processing the partially processed data packets, the slave BS 106A performs the remaining MAC layer processing and complete PHY layer processing of the partially processed data packets. For example, the slave BS 106A generates MAC PDUs by applying fragmentation and packing function on the ARQ blocks for the ARQ enabled connection. Alternatively, for the ARQ enabled connection, the slave BS 106A applies fragmentation and packing function on the MAC SDUs to generate the ARQ block. In this case, the slave BS 106A does not apply fragmentation and packing function to generate the MAC PDUs.
- [48] In case of a non-ARQ enabled connection, the slave BS 106A generates MAC PDUs by applying fragmentation and packing function on the MAC SDUs. The BS 106A can also multiplex ARQ blocks or MAC SDUs received from multiple connections in a single MAC PDU if multiplexing is enabled.
- [49] Furthermore, the slave BS 106A generates one or more PHY PDUs from the data packets (i.e. MAC PDUs) received from the master BS 106C. Then, the slave BS 106A processes the PHY PDUs using the physical layer processing functions such as coding, modulation, interleaving and the like, and transmits the one or more processed PHY PDUs to the MS 108A.

- [50] In one exemplary implementation, the BS 106C sends the logical identifier with the partially processed data packets to the BS 106A when the MS 108A is assigned a single logical identifier. In another exemplary implementation, the BS 106C sends the logical identifier assigned by it with the completely processed data packets when the MS 108A is assigned one logical identifier by each BS in a cloud cell. In this implementation, the BS 106A maintains a mapping between a logical identifier assigned by the BS 106C and a logical identifier assigned by the BS 106A.
- [51] In yet another exemplary implementation, the BS 106C sends the logical identifier assigned by the BS 106A with the completely processed data packets when the MS 108A is assigned one logical identifier by each BS in a cloud cell. In this embodiment, the BS 106C maintains a mapping between a logical identifier assigned by the BS 106A and a logical identifier assigned by the BS 106C.
- [52] If the data packets are to be sent to the MS 108A, at step 214, complete processing of the data packets is performed by the BS 106C. At step 216, the completely processed data packets are transmitted to the MS 108A. In completely processing the data packets, the BS 106C generates the MAC SDUs from the data packets received from the data gateway 104, generates ARQ blocks from the MAC SDUs, generates MAC PDUs by applying the fragmentation, packing and multiplexing function on the ARQ blocks or the MAC SDUs, generates one or more PHY PDUs from the MAC PDUs, and processes the PHY PDUs using the physical layer processing functions such as coding, modulation, interleaving and the like.
- [53] If at step 204, the network node, from which the data packets are received, is identified as the master BS 106E, then it implies that the BS 106C is a slave BS in the CC 110B and the data packets are partially processed by the BS 106E. Hence, at step 212, complete processing of the partially processed data packets is performed by the BS 106C. At step 216, the completely processed data packets are transmitted to the MS 108B based on the logical identifier of the MS 108B.
- [54] In one embodiment, in entirely processing the partially processed data packet, the slave BS 106C performs complete PHY layer processing of the partially processed data packet. The slave BS 106C generates one or more PHY PDUs from the data packets (i.e., MAC PDUs) received from the master BS 106E. Then, the BS 106C processes the PHY PDUs using the physical layer processing functions such as coding, modulation, interleaving and the like, and transmits the processed PHY PDUs to the MS 108B.
- [55] In another embodiment, in entirely processing the partially processed data packets, the slave BS 106C performs the remaining MAC layer processing and complete PHY layer processing of the partially processed data packets. For example, the slave BS 106C generates MAC PDUs by applying fragmentation and packing function on the

ARQ blocks for the ARQ enabled connection. Alternatively, for the ARQ enabled connection, the slave BS 106C applies fragmentation and packing function on the MAC SDUs to generate the ARQ block. In this case, the slave BS 106C does not apply fragmentation and packing function to generate the MAC PDU.

- [56] In case of a non-ARQ enabled connection, the slave BS 106C generates MAC PDUs by applying fragmentation and packing function on the MAC SDUs. The BS 106C can also multiplex ARQ blocks or MAC SDUs received from multiple connections in a single MAC PDU if multiplexing is enabled.
- [57] Furthermore, the slave BS 106C generates one or more PHY PDUs from the data packets (i.e. MAC PDUs) received from the master BS 106C. Then, the slave BS 106C processes the PHY PDUs using the physical layer processing functions such as coding, modulation, interleaving and the like, and transmits the one or more processed PHY PDUs to the MS 108B.
- [58] Figure 3 is a process flowchart 300 illustrating an exemplary method of uplink communication of data packets in the cloud cell environment 100 by a BS, according to one embodiment of the present disclosure. Consider that, at step 302, data packets are received from a network node by the BS 106C. At step 304, the network node from which the data packets are received is identified by the BS 106C. For example, the BS 106C can receive the data packets directly from the MS 108A or MS 108B. Alternatively, the BS 106C can receive the data packets from another BS (e.g., the BS 106A) which is a slave BS in the CC 110A.
- [59] If the data packets are received from the MS 108A or 108B, at step 306, a network node to which the data packets to be sent is identified. The BS 106C sends the data packets directly to the data gateway 104 if the BS 106C has received data packets from the MS 108A in the CC 110A for which BS 106C is the master BS. However, the BS 106C sends the data packets to the BS 106E, which is master BS in the CC 110B, if the BS 106C has received the data packets from the MS 108B in the CC 110B for which the BS 106C is acting as a slave base station.
- [60] If the data packets are to be sent to the BS 106E, at step 308, partial processing of the data packets is performed by the BS 106C. In one embodiment, in partially processing the data packets, the slave BS 106C generates PHY PDUs by applying PHY layer processing functions such as demodulation, deinterleaving, decoding and the like on the data packets and generates MAC PDUs from the PHY PDUs. In another embodiment, in partially processing the data packets, the slave BS 106C generates PHY PDUs by applying PHY layer processing functions such as demodulation, deinterleaving, decoding and the like on the data packets and generates MAC PDUs from the PHY PDUs. In case of non-ARQ enabled connection, the slave BS 106C generates MAC SDUs (fragmented or unfragmented) by applying the unpacking function on the

MAC PDU. In case of an ARQ enabled connection, the slave BS 106C generates ARQ blocks (fragmented or unfragmented) by applying the unpacking function on the MAC PDU.

- [61] At step 310, the partially processed data packets are transmitted to the BS 106E so that the master BS 106E performs complete processing of the partially processed data packets and transmits the completely processed data packets to the data gateway 104. If the data packets are to be sent to the data gateway 104, at step 314, complete processing of the data packets is performed by the BS 106C. At step 316, the completely processed data packets are transmitted to the data gateway 104. In completely processing the data packets, the BS 106C performs the complete MAC layer and PHY layer processing of the data packets. Then, the BS 106C generates the PHY PDUs by applying PHY layer processing functions such as demodulation, deinterleaving, decoding and the like on the data packets. The BS 106C generates MAC PDUs from the PHY PDUs using the de-concatenation function. In case of a non-ARQ enabled connection, the BS 106C generates MAC SDUs (fragmented or unfragmented) by applying the unpacking function on the MAC PDU.
- [62] In case of an ARQ enabled connection, the BS 106C generates ARQ blocks (fragmented or unfragmented) by applying the unpacking function on the MAC PDU. The BS 106C then generates unfragmented ARQ blocks or MAC SDUs by applying the reassembly function to the fragmented ARQ blocks or MAC SDUs respectively. In case of the ARQ enabled connection, the BS 106C generates MAC SDUs from the ARQ blocks. It can be noted that the BS 106C can optionally apply the security function to the MAC SDUs and generate data packets from the MAC SDUs.
- [63] If at step 304, the network node, from which the data packets are received, is identified as the BS 106A, then it implies that the BS 106C is the master BS in the CC 110A and the data packets are partially processed by the BS 106A. Hence, at step 312, complete processing of the partially processed data packets is performed by the BS 106C. At step 316, the completely processed data packets are transmitted to the data gateway 104.
- [64] In one embodiment, in completely processing the data packets, the BS 106C performs the complete MAC layer processing on the partially processed data packets (i.e., MAC PDUs) received from the slave BS 106A. In case of a non-ARQ enabled connection, the BS 106C generates MAC SDUs (fragmented or unfragmented) by applying the unpacking function on the MAC PDU. In case of an ARQ enabled connection, the BS 106C generates ARQ blocks (fragmented or unfragmented) by applying the unpacking function on the MAC PDU. The BS 106C then generates unfragmented ARQ blocks or MAC SDUs by applying the reassembly function to the fragmented ARQ blocks or MAC SDUs respectively. In case of an ARQ enabled

connection, the BS 106C generates MAC SDUs from the ARQ blocks. It can be noted that, the BS 106C optionally applies security function to the MAC SDUs and generates data packets from the MAC SDUs.

- [65] In another embodiment, in completely processing the data packets, the BS 106C performs the partial MAC layer processing on the partially processed data packets (i.e. MAC SDUs or ARQ blocks) received from the slave BS 106 A. The BS 106C then generates unfragmented ARQ blocks or MAC SDUs by applying the reassembly function to the fragmented ARQ blocks or MAC SDUs respectively. In case of an ARQ enabled connection, the BS 106C generates MAC SDUs from the ARQ blocks. Then, the BS 106 can optionally apply security function to the MAC SDUs and generates the data packets from the MAC SDUs.
- [66] Figures 4A and 4B are schematic representations illustrating Medium Access Control (MAC) layer and Physical (PHY) layer processing performed by a BS in uplink and downlink, in the context of the present disclosure. Typically, when a data packet is received, a BS (e.g., the BSs 106A-F) performs MAC layer and PHY layer processing on the data packet prior to transmitting the data packet to the network node (e.g., data gateway, another base station or a mobile station). These functions are performed in a downlink direction by a MAC layer processing module 402 and a PHY layer processing module 404 residing in BSs as illustrated in Figure 4A, and in uplink direction by a PHY layer processing module 412 and a MAC layer processing module 414 residing in BSs as illustrated in Figure 4B. The MAC layer processing module 402 can include a security module 406, an Automatic Repeat Request (ARQ) block generation module 408, and a MAC Protocol Data Unit (PDU) generation module 410. The MAC layer processing module 414 can include an MAC PDU generation module 416, an ARQ block generation module 418, and a security module 420. The security modules 406 and 420, and the ARQ block generation modules 408 and 418 are optional and are implemented when the security and ARQ functions are enabled in the BS.
- [67] Referring to Figure 4A, in downlink if the security function is enabled, the security module 406 generates encrypted MAC Service Data Units (SDUs) from the data packet received from the data gateway 104. The ARQ block generation module 408 generates ARQ blocks from either from the encrypted MAC SDUs if the security function is enabled or unencrypted MAC SDUs if the security function is disabled. It can be noted that the ARQ function is optional and is not required to be applied on all the MAC SDUs. In other words, the ARQ function is applied only for the MAC SDUs of an ARQ enabled connection. Then, the MAC PDU generation module 410 generates MAC PDUs by applying fragmentation and packing function on the ARQ blocks or MAC SDUs. The MAC PDU generation module 410 can also multiplex ARQ blocks

or MAC SDUs from multiple connections in a single MAC PDU. Alternatively, for an ARQ enabled connection, fragmentation and packing function can be applied on the MAC SDUs to generate the ARQ block. In this case, fragmentation and packing function is not applied by the MAC PDU generation module 410. Accordingly, the PHY layer processing module 404 generates one or more PHY PDUs by applying concatenation function on the MAC PDUs received from the MAC layer processing module 402 and processes the one or more PHY PDUs using PHY processing functions (e.g., coding, modulation, interleaving and the like).

[68] In some implementation, the MAC layer processing module 402 is implemented through various sub layers including but not limited to a packet data convergence protocol (PDCP) sub layer, a radio link control sub layer, and a MAC sub layer. For example, the PDCP sub layer applies security functions on data packets received from the data gateway 104 and generates PDCP PDUs. The RLC sub layer applies ARQ function on the PDCP PDUs and generates RLC PDUs. The RLC sub layer also applies fragmentation and packing function on the PDCP PDUs to generate the RLC PDUs. The MAC sub layer performs multiplexing of the RLC PDUs and generates the MAC PDU. Accordingly, the PHY layer processing module 404 generates one or more PHY PDUs by applying concatenation function on the MAC PDUs received from the MAC sub layer and processes the one or more PHY PDUs using PHY processing functions (e.g., coding, modulation, interleaving and the like).

[69] Referring to Figure 4B, in uplink, the PHY layer processing module 412 performs PHY layer processing functions such as demodulation, deinterleaving, decoding and the like on the data packets, and generates the PHY PDUs from the data packets. The PHY layer processing module 412 then applies de-concatenation function on the PHY PDUs to generate the MAC PDUs from the PHY PDUs. In case the MAC PDU generation module 416 supports multiplexing of MAC PDUs, the MAC PDU generation module 416 applies demultiplexing function on the MAC PDUs to obtain ARQ blocks or MAC SDUs for various connections.

[70] In case of a non-ARQ enabled connection, the MAC PDU generation module 416 generates the MAC SDUs (fragmented or unfragmented) by applying the unpacking function on the MAC PDUs. In case of an ARQ enabled connection, the MAC PDU generation module 416 generates ARQ blocks (fragmented or unfragmented) by applying the unpacking function on the MAC PDU. If the fragmented ARQ blocks or MAC SDUs are generated, then the MAC PDU generation module 416 generates unfragmented ARQ blocks or MAC SDUs by applying the reassembly function to the fragmented ARQ blocks or MAC SDUs respectively. In case of an ARQ enabled connection, the ARQ block generation module 408 generates MAC SDUs from the ARQ blocks. The security module 406 optionally applies security to MAC SDUs and

generates data packets from the MAC SDUs.

- [71] In some implementations, the MAC layer processing module 414 is implemented through various sub layers including but not limited to a MAC sub layer, a RLC sub layer, and a PDCP sub layer. For example, the MAC sub layer demultiplexes the RLC PDUs received from the PHY layer processing module 412 and provides the demultiplexed RLC PDUs to the RLC sub layer. The RLC sub layer performs unpacking or reassembly and ARQ functions (if ARQ connection is enabled) to generate PDCP PDUs. The PDCP sub layer applies security function to the PDCP PDUs to generate data packets.
- [72] According to the one or more embodiments described above, MAC layer and/or PHY layer processing of data packets is performed either completely or in part by a master BS and a slave BS of a cloud cell although the BSs 106A-F are capable of performing MAC layer processing and PHY layer processing on data packets in entirety. For example, the BS 106C is a master BS in the cloud cell 110A, whereas in the cloud cell 110B, the BS 106C acts as a slave BS while the BS 106E acts as a master BS. In such scenario, the BS 106C can perform partial or complete MAC layer processing and/or complete PHY layer processing of the data packet based on a network node from which the data packet is received and a network node to which the data packet is to be forwarded in the cloud cell. It can be noted that, in some exemplary implementations, the entire/partial MAC layer processing of the data packets is implemented through various sub layers such as PDCP sub layer, RLC sub layer and MAC sub layer.
- [73] Figure 5 is a process flowchart 500 illustrating a detailed method of downlink communication of data packets in the cloud cell environment 100 by a BS, according to one embodiment of the present disclosure. Consider that, at step 502, data packets are received from a network node by the BS 106C. At step 504, the network node from which the data packets are received is identified by the BS 106C. If the data packets are received from the data gateway 104, at step 506, a network node to which the data packets to be sent is identified.
- [74] If the data packets are to be sent to the BS 106A, then at step 508, complete MAC layer processing is performed on the data packets by the BS 106C. In one exemplary implementation, complete MAC layer processing is performed on the data packets by the BS 106C using a PDCP layer, a RLC sub layer, and a MAC sub layer. At step 510, the MAC PDUs and a logical identifier assigned to the MS 108A are transmitted to the slave BS 106A so that the slave BS 106A performs PHY layer processing on the MAC PDUs and transmits the PHY PDUs to the MS 108A based on the logical identifier (as shown in Figures 6B and 6E). If the data packets are to be sent to the MS 108A, then at step 514, complete MAC layer processing and PHY layer processing of the data packets is performed by the BS 106C. At step 516, the PHY PDUs are transmitted to

the MS 108A (as shown in Figures 6A and 6D).

[75] If at step 504, the network node, from which the MAC PDUs are received, is identified as the master BS 106E, then at step 512, PHY layer processing is performed on the MAC PDUs by the BS 106C. At step 516, the PHY PDUs are transmitted to the MS 108B by the BS 106C (as shown in Figures 6C and 6F).

[76] Figure 7 is a process flowchart 700 illustrating a detailed method of uplink communication of data packets in the cloud cell environment 100 by a BS, according to one embodiment of the present disclosure. Consider that, at step 702, data packets are received from a network node by the BS 106C. At step 704, the network node from which the data packets are received is identified by the BS 106C. If the data packets are received from the MS 108A or 108B, at step 706, a network node to which the data packets to be sent is identified.

[77] If the data packets are to be sent to the BS 106E, at step 708, PHY layer processing is performed on the data packets by the BS 106C. At step 710, the MAC PDUs are transmitted to the BS 106E so that the master BS 106E performs complete MAC layer processing on the MAC PDUs and transmits the completely processed data packets to the data gateway 104 (as shown in Figure 8B). In an exemplary implementation, the master BS 106E performs complete MAC layer processing, which includes PDCP, RLC and MAC sub layer processing, on the data packets and transmits the completely processed data packets to the data gateway 104 (as shown in Figure 8E). If the data packets are to be directly sent to the data gateway 104, at step 714, complete MAC layer and PHY layer processing is performed on the data packets by the BS 106C. At step 716, the completely processed data packets are transmitted to the data gateway 104 (as shown in Figure 8A). In an exemplary implementation, the BS 106C performs complete MAC layer processing, which includes PDCP, RLC and MAC sub layer processing, and complete PHY layer processing on the data packets and transmits the completely processed data packets to the data gateway 104 (as shown in Figure 8D).

[78] If at step 704, the network node, from which the MAC PDUs are received, is identified as the BS 106A, then at step 712, complete MAC layer processing is performed on the MAC PDUs by the BS 106C. At step 716, the completely processed data packets are transmitted to the data gateway 104 (as shown in Figure 8C). In an exemplary implementation, the BS 106C performs complete MAC layer processing, which includes PDCP, RLC and MAC sub layer processing, on the data packets and transmits the completely processed data packets to the data gateway 104 (as shown in Figure 8F).

[79] Figure 9 is a process flowchart 900 illustrating a detailed method of downlink communication of data packets in the cloud cell environment 100 by a BS, according to another embodiment of the present disclosure. Consider that, at step 902, data packets

are received from a network node by the BS 106C. At step 904, the network node from which the data packets are received is identified by the BS 106C. If the data packets are received from the data gateway 104, at step 906, a network node to which the data packets to be sent is identified.

- [80] If the data packets are to be sent to the BS 106A, then at step 908, partial MAC layer processing is performed on the data packets by the BS 106C. In one exemplary implementation, the MAC layer processing involves generating MAC SDUs, generating ARQ blocks (if ARQ connection is enabled) and/or sequence numbering. At step 910, the MAC SDUs/ARQ blocks and/or a logical identifier assigned to the MS 108A are transmitted to the slave BS 106A so that the slave BS 106A performs remaining MAC layer processing on the MAC SDUs or ARQ blocks and then PHY layer processing on the MAC PDUs, and transmits the PHY PDUs to the MS 108A based on the logical identifier (as shown in Figure 10B). Additionally, static and dynamic parameters corresponding to the logical connection of MAC SDUs/ARQ blocks can be transmitted by the BS 106C to the slave BS 106A along with the MAC SDUs/ARQ blocks and/or the logical identifier. The static and dynamic parameters can include at least one of connection identifier, MAC SDU/ARQ block sequence number and Quality of Service parameters.
- [81] When the MAC layer processing of data packets includes PDCP, RLC and MAC sub layer processing, in one embodiment, the partial MAC layer processing performed by the BS 106C includes PDCP and RLC sub layer processing on the data packets. In this embodiment, at step 910, RLC PDUs and/or a logical identifier assigned to the MS 108A are transmitted to the slave BS 106A so that the slave BS 106A performs remaining MAC layer processing including MAC sub layer processing on the RLC PDUs to generate MAC PDUs followed by complete PHY layer processing on the MAC PDUs, and transmits the PHY PDUs to the MS 108A based on the logical identifier (as shown in Figure 10K).
- [82] In another embodiment, the partial MAC layer processing performed on the data packets by the BS 106C includes generation of MAC SDUs from the data packets (e.g., IP packets). The MAC SDU generation can include at least one of header compression, security, and sequence numbering. It can be noted that, the security function can not be applied if the security function is applied at the data gateway 104 or if the security function is not enabled. If the security function is enabled and if the security function is not applied at the data gateway 104, security function is applied on the data packets by the master BS 106C. In this embodiment, at step 910, the MAC SDUs and/or a logical identifier assigned to the MS 108A are transmitted to the slave BS 106A so that the slave BS 106A performs remaining MAC layer processing on the MAC SDUs followed by PHY layer processing on the MAC PDUs, and transmits the PHY PDUs to

the MS 108A based on the logical identifier (as shown in Figure 10D). In case of encrypted MAC SDUs, the security parameters like security key identifier, parameters for replay attack like roll over counter, packet number, etc. are included in the MAC SDUs. Further, static and dynamic parameters corresponding to the logical connection of MAC SDUs can also be transmitted by the BS 106C to the slave BS 106A together with the MAC SDUs. The static and dynamic parameters can include at least one of connection identifier, MAC SDU sequence number, quality of service parameters, ARQ state machine parameters for ARQ enabled connection, and connection type (e.g., ARQ enabled connection or non-ARQ enabled connection).

- [83] In yet another embodiment, when the MAC layer processing on the data packets includes PDCP, RLC and MAC sub layer processing, the partial MAC processing performed by the BS 106C includes PDCP sub layer processing on the data packets. In this embodiment, at step 910, the PDCP PDUs and/or a logical identifier assigned to the MS 108A are transmitted to the slave BS 106A so that the slave BS 106A performs remaining MAC layer processing which includes RLC sub layer and MAC sub layer processing on the PDCP PDUs to generate MAC PDUs followed by PHY layer processing on the MAC PDUs, and transmits the PHY PDUs to the MS 108A based on the logical identifier (as shown in Figure 10N).
- [84] In further another embodiment, the partial MAC layer processing performed on the data packets by the BS 106C includes generating MAC SDUs from the data packets (e.g., IP packets). The MAC SDU generation includes sequence numbering. In this embodiment, at step 910, the MAC SDUs and a logical identifier assigned to the MS 108A are transmitted to the slave BS 106A so that the slave BS 106A performs remaining MAC layer processing on the MAC SDUs followed by PHY layer processing on the MAC PDUs, and transmits the PHY PDUs to the MS 108A based on the logical identifier (as shown in Figure 10H). Additionally, static and dynamic parameters corresponding to the logical connection of MAC SDUs can also be transmitted by the BS 106C to the slave BS 106A together with the MAC SDUs, at step 910. The static and dynamic parameters can include at least one of connection identifier, MAC SDU sequence number, quality of service parameters, ARQ state machine parameters for an ARQ enabled connection, connection type (ARQ or non ARQ), and security context parameters.
- [85] In case, at step 910, the BS 106C transmits the ARQ blocks to the BS 106A, the BS 106A can buffer the ARQ blocks received from the BS 106C for retransmitting the ARQ blocks to the MS 108A and clear the buffered ARQ blocks based on a predetermined trigger. In one exemplary implementation, the BS 106C can send a control message to the BS 106A indicating successful acknowledgement of ARQ blocks by the MS 108A. The BS 106A can clear the buffered ARQ blocks which are successfully ac-

knowledge via the control message. In another exemplary implementation, the slave BS starts a timer upon receiving the ARQ blocks from the BS 106C and clears the buffered ARQ blocks upon expiry of the timer. The timer can be pre-configured based on time required to schedule, transmit and receive feedback from the MS 108A. In yet another exemplary implementation, the BS 106A can send a poll to the BS 106C to request the status of buffered ARQ blocks. In response, the BS 106C sends the status of buffered ARQ blocks. The BS 106A can clean the buffered ARQ blocks based on the status of the buffered ARQ blocks. In further another exemplary implementation, the BS 106A clears the buffered ARQ blocks when the BS 106A is deleted from the cloud cell 110A.

- [86] If the data packets are to be sent to the MS 108A, then at step 914, complete MAC layer processing and PHY layer processing is performed on the data packets by the BS 106C. At step 916, the PHY PDUs are transmitted to the MS 108A (as shown in Figures 10A, 10D, 10G, 10J, and 10M).
- [87] If at step 904, the network node, from which the data packets are received, is identified as the master BS 106E, then at step 912, remaining MAC layer processing is performed on the MAC SDUs or ARQ blocks followed by PHY layer processing on the MAC PDUs by the BS 106C. In some implementation, the remaining MAC layer processing involves generating MAC PDUs from the MAC SDUs (for non-ARQ connection) or ARQ blocks (for ARQ connection). At step 916, the PHY PDUs are transmitted to the MS 108B by the BS 106C (as shown in Figure 10C). In one embodiment, when the MAC layer processing includes PDCP, RLC and MAC sub layer processing on the data packets, the remaining MAC processing performed by the BS 106E includes MAC sub layer processing of the data packets followed by PHY layer processing of the MAC PDUs to generate PHY PDUs. In this embodiment, at step 916, the PHY PDUs are transmitted to the MS 108B by the BS 106C (as shown in Figure 10K).
- [88] In another embodiment, if at step 904, the network node, from which the data packets are received, is identified as the master BS 106E, then at step 912, remaining MAC layer processing is performed on the MAC SDUs followed by PHY layer processing on the MAC PDUs. In this embodiment, the remaining MAC layer processing involves generating ARQ blocks from the MAC SDUs received for an ARQ connection and then generating MAC PDUs from the generated ARQ blocks. For a non-ARQ connection, the remaining MAC layer processing involves generating MAC PDUs from the MAC SDUs received for the non ARQ connection. At step 916, the PHY PDUs are transmitted to the MS 108B by the BS 106C (as shown in Figure 10F).
- [89] When the MAC layer processing includes PDCP, RLC and MAC sub layer processing of the data packets, the remaining MAC processing performed by the BS

106E includes RLC and MAC sub layer processing of data packets followed by PHY layer processing of the MAC PDUs to generate PHY PDUs. In this embodiment, at step 916, the PHY PDUs are transmitted to the MS 108B by the BS 106C (as shown in Figure 10O).

[90] In yet another embodiment, if at step 904, the network node, from which the data packets are received, is identified as the master BS 106E, then at step 912, remaining MAC layer processing is performed on the MAC SDUs followed by PHY layer processing on the MAC PDUs. In this embodiment, the remaining MAC layer processing involves applying security function to the MAC SDUs if security is enabled for the logical connection, generating ARQ blocks from the MAC SDUs received for an ARQ connection and then generating MAC PDUs from the generated ARQ blocks. For non-ARE connection, the remaining MAC layer processing involves applying security function to the MAC SDUs if security is enabled for the connection and then generating MAC PDUs from the MAC SDUs. At step 916, the PHY PDUs are transmitted to the MS 108B by the BS 106C (as shown in Figure 10I).

[91] Figure 11 is a process flowchart 1100 illustrating a detailed method of uplink communication of data packets in the cloud cell environment 100 by a BS, according to one embodiment of the present disclosure. Consider that, at step 1102, data packets are received from a network node by the BS 106C. At step 1104, the network node from which the data packets are received is identified by the BS 106C. If the data packets are received from the MS 108A or 108B, at step 1106, a network node to which the data packets to be sent is identified.

[92] If the data packets are to be sent to the BS 106E, at step 1108, complete PHY layer processing is performed on the data packets followed by partial MAC layer processing on the MAC PDUs. For example, the partial MAC layer processing involves unpacking the MAC PDUs to generate MAC SDUs. At step 1110, the MAC SDUs are transmitted to the BS 106E so that the master BS 106E performs remaining MAC layer processing on the MAC SDUs and transmits the completely processed data packets to the data gateway 104 (as shown in Figure 12B). If the data packets are to be directly sent to the data gateway 104, at step 1114, complete PHY layer and MAC layer processing is performed on the data packets by the BS 106C. At step 1116, the completely processed data packets are transmitted to the data gateway 104 (as shown in Figure 12A).

[93] If at step 1104, the network node, from which the MAC SDUs are received, is identified as the BS 106A, then at step 1112, remaining MAC layer processing is performed on the MAC SDUs by the BS 106C. For example, said remaining MAC layer processing involves reassembly and reordering of MAC PDUs, generating ARQ blocks and/or generating MAC SDUs. At step 1116, the completely processed data

packets are transmitted to the data gateway 104 by the BS 106C (as shown in Figure 12C).

[94] Figure 13 illustrates a block diagram of the BS 106C showing various components for implementing embodiments of the present disclosure. In Figure 13, the BS 106C includes a processor 1302, memory 1304, a read only memory (ROM) 1306, a transceiver 1308, a communication interface 1310, and a bus 1312.

[95] The processor 1302, as used herein, means any type of computational circuit, such as, but not limited to, a microprocessor, a microcontroller, a complex instruction set computing microprocessor, a reduced instruction set computing microprocessor, a very long instruction word microprocessor, an explicitly parallel instruction computing microprocessor, a graphics processor, a digital signal processor, or any other type of processing circuit. The processor 1302 can also include embedded controllers, such as generic or programmable logic devices or arrays, application specific integrated circuits, single-chip computers, smart cards, and the like.

[96] The memory 1304 can be volatile memory and non-volatile memory. The memory 1304 includes a packet manager 1312 for processing and communicating data packets in uplink and downlink, according to the embodiments illustrated in Figures 1 and 12. A variety of computer-readable storage media can be stored in and accessed from the memory elements. Memory elements can include any suitable memory device(s) for storing data and machine-readable instructions such as read only memory, random access memory, erasable programmable read only memory, electrically erasable programmable read only memory, hard drive, removable media drive for handling memory cards, Memory Sticks™, and the like.

[97] Embodiments of the present disclosure can be implemented in conjunction with modules including functions, procedures, data structures, and application programs, for performing tasks, defining abstract data types, or low-level hardware contexts. The packet manager 1312 can be stored in the form of machine-readable instructions on any of the above-mentioned storage media which is then executed by the processor 1302. For example, a computer program can include machine-readable instructions capable of processing and communicating data packets to a network node (e.g., data gateway, BS, MS), according to the teachings and herein described embodiments of the present disclosure. The computer program can be included on a storage medium and loaded from the storage medium to a hard drive in the non-volatile memory. Moreover, the components such as the ROM 1306, the transceiver 1308, the communication interface 1310, and the bus 1312 are well known to the person skilled in the art and hence the explanation is thereof omitted.

[98] The present embodiments have been described with reference to specific example embodiments, it will be evident that various modifications and changes may be made

to these embodiments without departing from the broader spirit and scope of the various embodiments. Furthermore, the various devices, modules, and the like described herein may be enabled and operated using hardware circuitry, for example, complementary metal oxide semiconductor based logic circuitry, firmware, software and/or any combination of hardware, firmware, and/or software embodied in a machine readable medium. For example, the various electrical structure and methods may be embodied using transistors, logic gates, and electrical circuits, such as application specific integrated circuit.

[99] Although the present disclosure has been described with an exemplary embodiment, various changes and modifications may be suggested to one skilled in the art. It is intended that the present disclosure encompass such changes and modifications as fall within the scope of the appended claims.

Claims

- [Claim 1] A method of a base station for downlink data transmission in a cloud cell, comprising:
identifying a first network node from which at least one data packet intended for a mobile station in a cloud cell is received by a base station, wherein the first network node comprises one of a data gateway and a master base station of the cloud cell;
identifying a second network node in the cloud cell to which the at least one data packet is to be sent if the at least one data packet is received from the data gateway, wherein the second network node comprises one of the mobile station and one of slave base stations of the cloud cell;
if the second network node is the mobile station, performing entire processing of the at least one data packet received from the data gateway and transmitting the entirely processed data packet to the mobile station; and
if the second network node is the one of the slave base stations, performing partial processing of the at least one data packet received from the data gateway and transmitting the partially processed data packet to the one of the slave base stations so that the one of the slave base stations entirely processes the partially processed data packet and transmits the entirely processed data packet to the mobile station.
- [Claim 2] The method of claim 1, further comprising:
performing entire processing of the at least one data packet if the at least one data packet is received from the master base station, wherein the at least one data packet received from the master base station is a partially processed data packet; and
transmitting the entirely processed data packet to the mobile station.
- [Claim 3] The method of claim 1, wherein performing entire processing of the data packet received from the data gateway comprises:
performing complete Medium Access Control (MAC) layer and Physical (PHY) layer processing of the at least one data packet received from the data gateway.
- [Claim 4] The method of claim 3, wherein performing the complete MAC layer and PHY layer processing of the at least one data packet received from the data gateway comprises:
generating MAC Service Data Units (SDUs) from the at least one data

packet received from the data gateway;
generating Automatic Repeat Request (ARQ) blocks from the MAC SDUs;
generating MAC Protocol Data Units (PDUs) by applying fragmentation and packing function on the ARQ blocks or MAC SDUs;
generating one or more PHY PDUs by applying concatenation function on the MAC PDUs; and
processing the one or more PHY PDUs using PHY processing functions.

[Claim 5] The method of claim 1, wherein performing partial processing of the at least one data packet received from the data gateway comprises:
performing entire Medium Access Control (MAC) layer processing of the at least one data packet received from the data gateway.

[Claim 6] The method of claim 5, wherein performing the entire MAC layer processing of the at least one data packet received from the data gateway comprises:
generating MAC Service Data Units (SDUs) from the at least one data packet received from the data gateway;
generating Automatic Repeat Request (ARQ) blocks from the MAC SDUs; and
generating MAC Protocol Data Units (PDUs) by applying fragmentation and packing function on the ARQ blocks or MAC SDUs.

[Claim 7] The method of claim 1, wherein performing partial processing of the at least one data packet received from the data gateway comprises:
performing partial Medium Access Control (MAC) layer processing of the at least one data packet received from the data gateway.

[Claim 8] The method of claim 7, wherein performing the partial MAC layer processing of the at least one data packet received from the data gateway comprises:
generating MAC Service Data Units (SDUs) from the at least one data packet received from the data gateway; and
generating Automatic Repeat Request (ARQ) blocks from the MAC SDUs of an ARQ enabled connection.

[Claim 9] The method of claim 7, wherein performing the partial MAC layer processing of the at least one data packet received from the data gateway comprises:
generating MAC SDUs from the at least one data packet received from the data gateway.

- [Claim 10] The method of claim 9, wherein generating the MAC SDUs from the at least one data packet received from the data gateway comprises: applying at least one of header compression, security and sequence numbering functions to the at least one data packet.
- [Claim 11] The method of claim 9, wherein generating MAC SDUs from the at least one data packet received from the data gateway comprises: applying at least one of header compression and sequence numbering functions to the at least one data packet.
- [Claim 12] The method of claim 2, wherein performing entire processing of the partially processed data packet received from the master base station comprises:
performing remaining Medium Access Control (MAC) layer processing and complete Physical (PHY) layer processing of the partially processed data packet.
- [Claim 13] The method of claim 12, wherein performing the remaining MAC layer processing and complete PHY layer processing of the partially processed data packet comprises:
generating MAC Protocol Data Units (PDUs) by applying fragmentation and packing function on Automatic Repeat Request (ARQ) blocks or MAC Service Data Units (SDUs) in the partially processed data packet;
generating one or more PHY PDUs by applying concatenation function on the MAC PDUs; and
processing the one or more PHY PDUs using PHY processing functions.
- [Claim 14] The method of claim 12, wherein performing the remaining MAC layer processing and complete PHY layer processing of the partially processed data packet comprises:
generating ARQ blocks by applying ARQ function on MAC Service Data Units (SDUs) in the partially processed data packet for an ARQ connection;
generating MAC Protocol Data Units (PDUs) by applying fragmentation and packing function on the generated ARQ blocks;
generating one or more PHY PDUs by applying concatenation function on the MAC PDUs; and
processing the one or more PHY PDUs using PHY processing functions.
- [Claim 15] The method of claim 9, wherein performing the remaining MAC layer

processing and complete PHY layer processing of the partially processed data packet comprises:
generating encrypted MAC Service Data Units (SDUs) by applying security function on MAC SDUs in the partially processed data packet for a security enabled connection;
generating ARQ blocks by applying ARQ function on the encrypted MAC SDUs for a ARQ enabled connection;
generating MAC Protocol Data Units (PDUs) by applying fragmentation and packing function on the generated ARQ blocks for an ARQ connection or on the encrypted MAC SDUs for a non-ARQ connection;
generating one or more PHY PDUs by applying concatenation function on the MAC PDUs; and
processing the one or more PHY PDUs using PHY processing functions.

[Claim 16] The method of claim 13, wherein generating the MAC PDUs by applying fragmentation and packing function on the ARQ blocks or the MAC SDUs in the partially processed data packet comprises:
buffering the ARQ blocks received from the master base station in a buffer.

[Claim 17] The method of claim 16, wherein buffering the ARQ blocks received from the master base station comprises:
receiving a control message indicating ARQ blocks that are successfully acknowledged by the mobile station; and
clearing one or more of the buffered ARQ blocks from the buffer based on the control message.

[Claim 18] The method of claim 16, wherein buffering the ARQ blocks received from the master base station comprises:
clearing one or more of the buffered ARQ blocks from the buffer upon expiry of pre-determined time interval.

[Claim 19] The method of claim 16, wherein buffering the ARQ blocks received from the master base station comprises:
polling the master base station for status of the buffered ARQ blocks;
receiving a status of the buffered ARQ blocks from the master base station; and
clearing one or more of the buffered ARQ blocks from the buffer based on the status of the buffered ARQ blocks.

[Claim 20] The method of claim 2, wherein performing entire processing of the

- partially
processed data packet received from the master base station comprises:
performing complete Physical (PHY) layer processing of the partially
processed data packet.
- [Claim 21] The method of claim 20, wherein performing the complete PHY layer
processing of the partially processed data packet comprises:
generating one or more PHY Protocol Data Units (PDUs) from MAC
PDUs received in the partially processed data packet; and
processing the one or more PHY PDUs using PHY processing
functions.
- [Claim 22] The method of claim 1, wherein in transmitting the partially processed
data packet to the one of the slave base stations comprises:
transmitting the partially processed data packet along with a logical
identifier associated with the mobile station to the one of the slave base
station.
- [Claim 23] The method of claim 22, wherein the logical identifier associated with
the mobile station is assigned by the master base station.
- [Claim 24] The method of claim 22, wherein the logical identifier associated with
the mobile station is assigned by the one of the slave base stations.
- [Claim 25] A base station comprising:
a processor; and
a memory coupled to the processor, wherein the memory comprises a
packet manager configured to:
identify a first network node from which at least one data packet
intended for a mobile station in a cloud cell is received, wherein the
first network node comprises one of a data gateway and a master base
station of the cloud cell;
identify a second network node in the cloud cell to which the at least
one data packet is to be sent if the at least one data packet is received
from the data gateway, wherein the second network node comprises
one of the mobile station and one of slave base stations of the cloud
cell;
if the second network node is the mobile station, perform entire
processing of the at least one data packet received from the data
gateway and transmitting the entirely processed data packet to the
mobile station; and
if the second network node is the one of the slave base stations,
perform partial processing of the at least one data packet received from

- the data gateway and transmitting the partially processed data packet to the one of the slave base stations so that the one of the slave base stations entirely processes the partially processed data packet and transmits the entirely processed data packet to the mobile station.
- [Claim 26] The base station of claim 25, wherein the packet manager is configured to:
- perform entire processing of the at least one data packet if the at least one data packet is received from the master base station, wherein the at least one data packet received from the master base station is a partially processed data packet; and
 - transmit the entirely processed data packet to the mobile station.
- [Claim 27] A method of a base station for uplink data transmission in a cloud cell, comprising:
- identifying a first network node in a cloud cell from which at least one data packet intended for an Internet Protocol (IP) network is received by a base station, wherein the first network node comprises one of a mobile station and one of slave base stations;
 - identifying a second network node to which the at least one data packet is to be sent if the at least one data packet is received from the mobile station, wherein the second network node comprises one of a data gateway and a master base station of the cloud cell;
 - if the second network node is the data gateway, performing complete processing of the at least one data packet received from the mobile station and transmitting the completely processed data packet to the data gateway; and
 - if the second network node is the master base station, performing partial processing of the at least one data packet received from the mobile station and transmitting the partially processed data packet to the master base station so that the master base station entirely processes the partially processed data packet and transmits the entirely processed data packet to the data gateway.
- [Claim 28] The method of claim 27, wherein the second network node is the data gateway if the base station is a master base station of the cloud cell associated with the mobile station from which the at least one data packet is received.
- [Claim 29] The method of claim 27, wherein the second network node is the master base station if the base station is the slave base station of the cloud cell associated with the mobile station from which the at least

- one data packet is received.
- [Claim 30] The method of claim 27, further comprising:
performing entire processing of the at least one data packet if the at least one data packet is received from the one of the slave base stations, wherein the at least one data packet received from the one of the slave base stations is a partially processed data packet; and
transmitting the entirely processed data packet to the data gateway.
- [Claim 31] The method of claim 27, wherein performing complete processing of the data packet received from the mobile station comprises:
performing complete Medium Access Control (MAC) layer and Physical (PHY) layer processing of the at least one data packet received from the mobile station.
- [Claim 32] The method of claim 31, wherein performing the complete MAC layer and PHY layer processing of the at least one data packet received from the mobile station comprises:
generating PHY Protocol Data Units (PDUs) through applying PHY layer processing functions on the at least one data packet received from the mobile station;
generating MAC PDUs through applying a de-concatenation function to the PHY PDUs;
generating Automatic Repeat Request (ARQ) blocks or MAC Service Data Units (SDUs) through applying unpacking function to the MAC PDUs;
generating unfragmented ARQ blocks or MAC SDUs through applying reassembly function to fragmented ARQ blocks or fragmented MAC SDUs;
generating MAC SDUs from the ARQ blocks; and
forming at least one data packet from the MAC SDUs.
- [Claim 33] The method of claim 37, wherein performing partial processing of the at least one data packet received from the mobile station comprises:
performing Physical (PHY) layer processing of the at least one data packet received from the mobile station.
- [Claim 34] The method of claim 33, wherein performing the PHY layer processing of the at least one data packet received from the mobile station comprises:
generating PHY Protocol Data Units (PDUs) through applying PHY layer processing functions to the at least one data packet received from the mobile station; and

generating MAC PDUs by applying a de-concatenation function to the PHY PDUs.

[Claim 35] The method of claim 27, wherein performing the partial processing of the at least one data packet received from the mobile station comprises: performing complete Physical (PHY) layer processing and partial Medium Access Control (MAC) layer on the at least one data packet received from the mobile station.

[Claim 36] The method of claim 35, wherein performing complete PHY layer processing and partial MAC layer on the at least one data packet received from the mobile station comprises:
generating PHY Protocol Data Units (PDUs) through applying PHY layer processing functions to the at least one data packet received from the mobile station;
generating MAC PDUs by applying a de-concatenation function to the PHY PDUs; and
generating MAC Service Data Units (SDUs) or Automatic Repeat Request (ARQ) blocks through applying unpacking function to the MAC PDUs.

[Claim 37] The method of claim 30, wherein performing entire processing of the partially processed data packet received from the one of the slave base stations comprises:
performing remaining Medium Access Control (MAC) layer processing of the partially processed data packet received from the one of the slave base stations.

[Claim 38] The method of claim 37, wherein performing remaining Medium Access Control (MAC) layer processing of the partially processed data packet received from the one of the slave base stations comprises:
generating Automatic Repeat Request (ARQ) blocks through applying reassembly function to fragmented ARQ blocks in the partially processed data packet received from the one of the slave base stations;
generating MAC Service Data Units (SDUs) from the ARQ blocks; and
forming at least one data packet from the MAC SDUs.

[Claim 39] A base station comprising:
a processor; and
a memory coupled to the processor, wherein the memory comprises a packet manager configured for:
identifying a first network node in a cloud cell from which at least one data packet intended for an Internet Protocol (IP) network is received,

wherein the first network node comprises one of a mobile station and one of slave base stations;

identifying a second network node to which the at least one data packet is to be sent if the at least one data packet is received from the mobile station, wherein the second network node comprises one of a data gateway and a master base station of the cloud cell;

if the second network node is the data gateway, performing complete processing of the at least one data packet received from the mobile station and transmitting the completely processed data packet to the data gateway; and

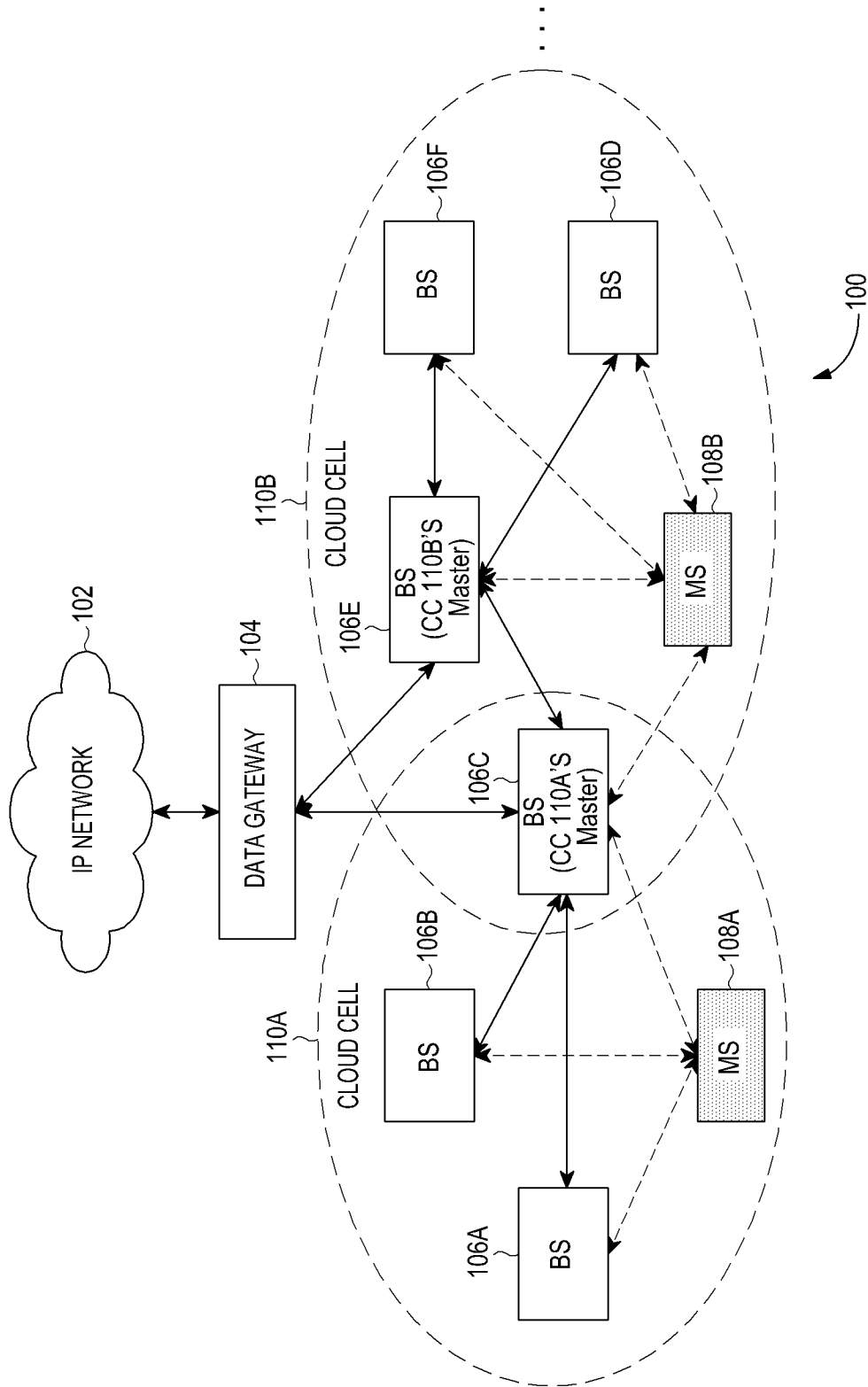
if the second network node is the master base station, performing partial processing of the at least one data packet received from the mobile station and transmitting the partially processed data packet to the master base station so that the master base station entirely processes the partially processed data packet and transmits the entirely processed data packet to the data gateway.

[Claim 40]

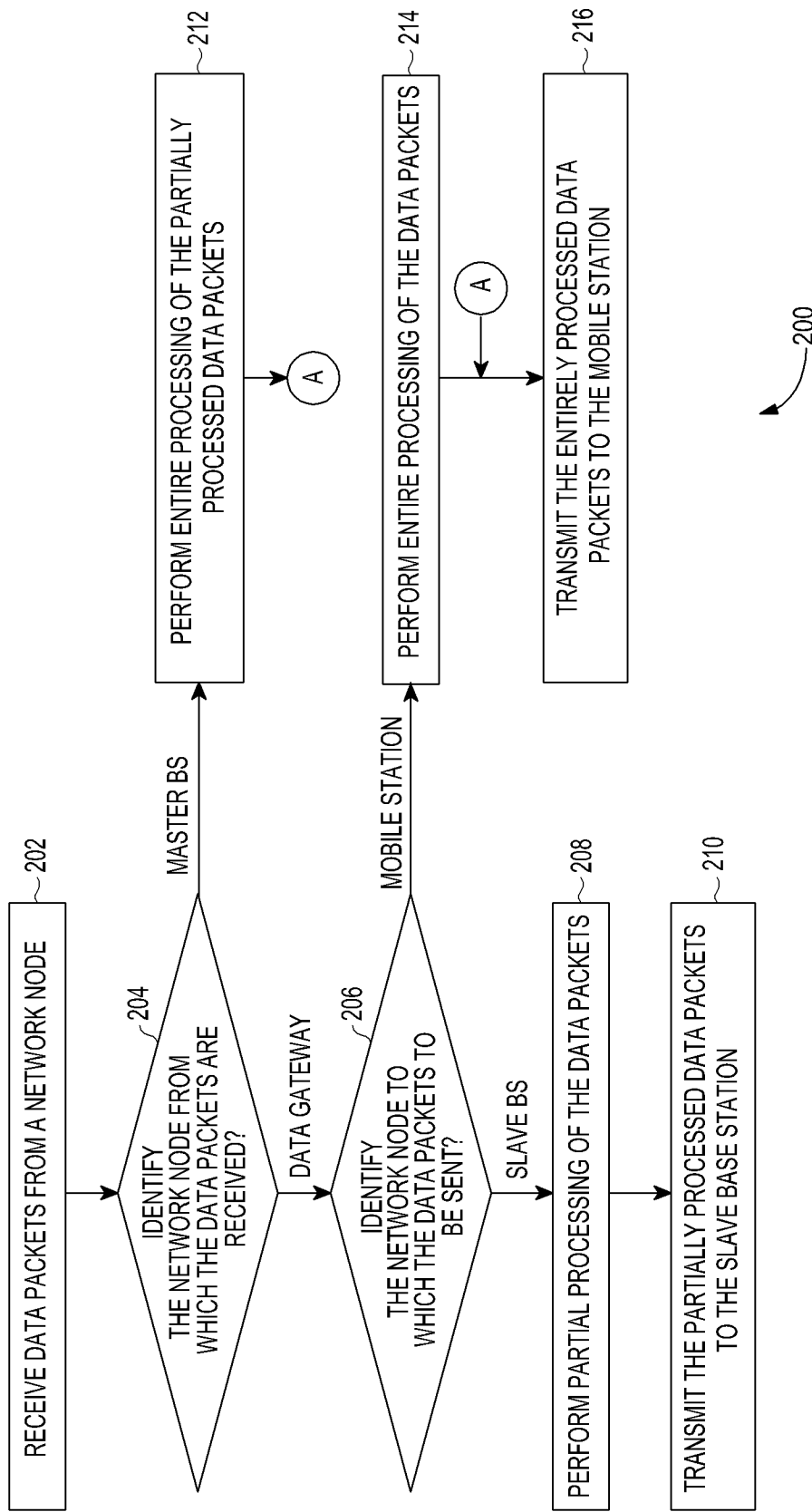
The base station of claim 39, wherein the packet manager is configured to:

perform entire processing of the at least one data packet if the at least one data packet is received from the one of the slave base stations, wherein the at least one data packet received from the one of the slave base stations is a partially processed data packet; and
transmit the entirely processed data packet to the data gateway.

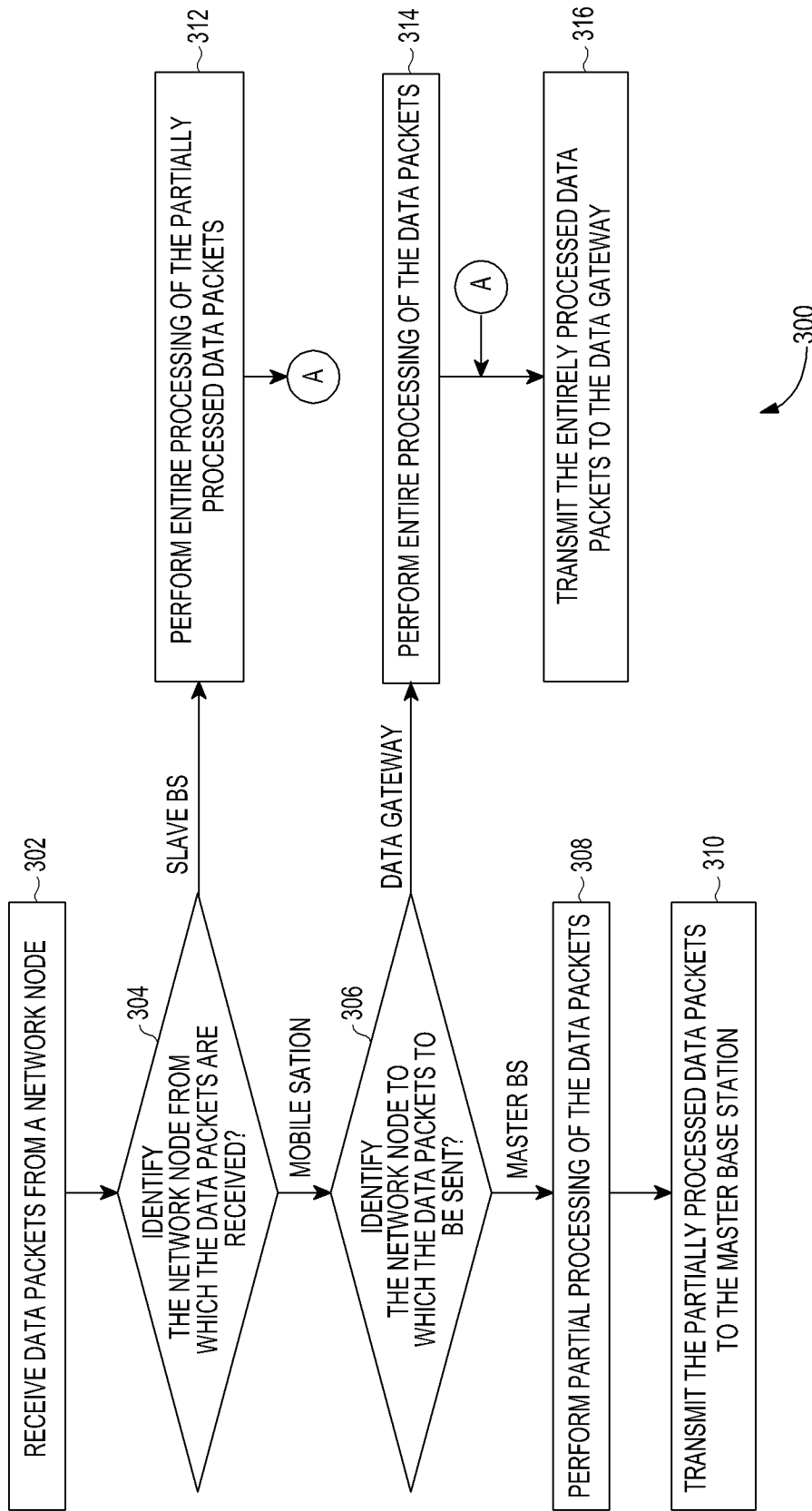
[Fig. 1]



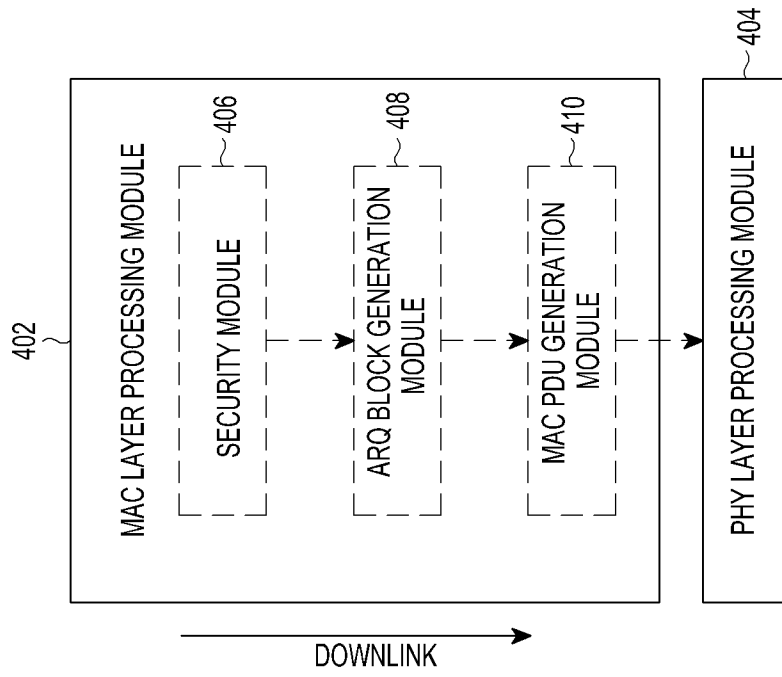
[Fig. 2]



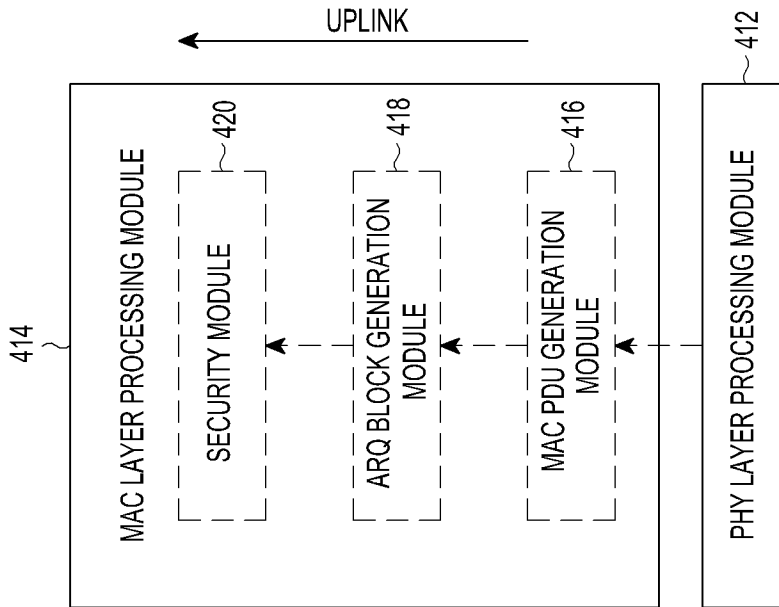
[Fig. 3]



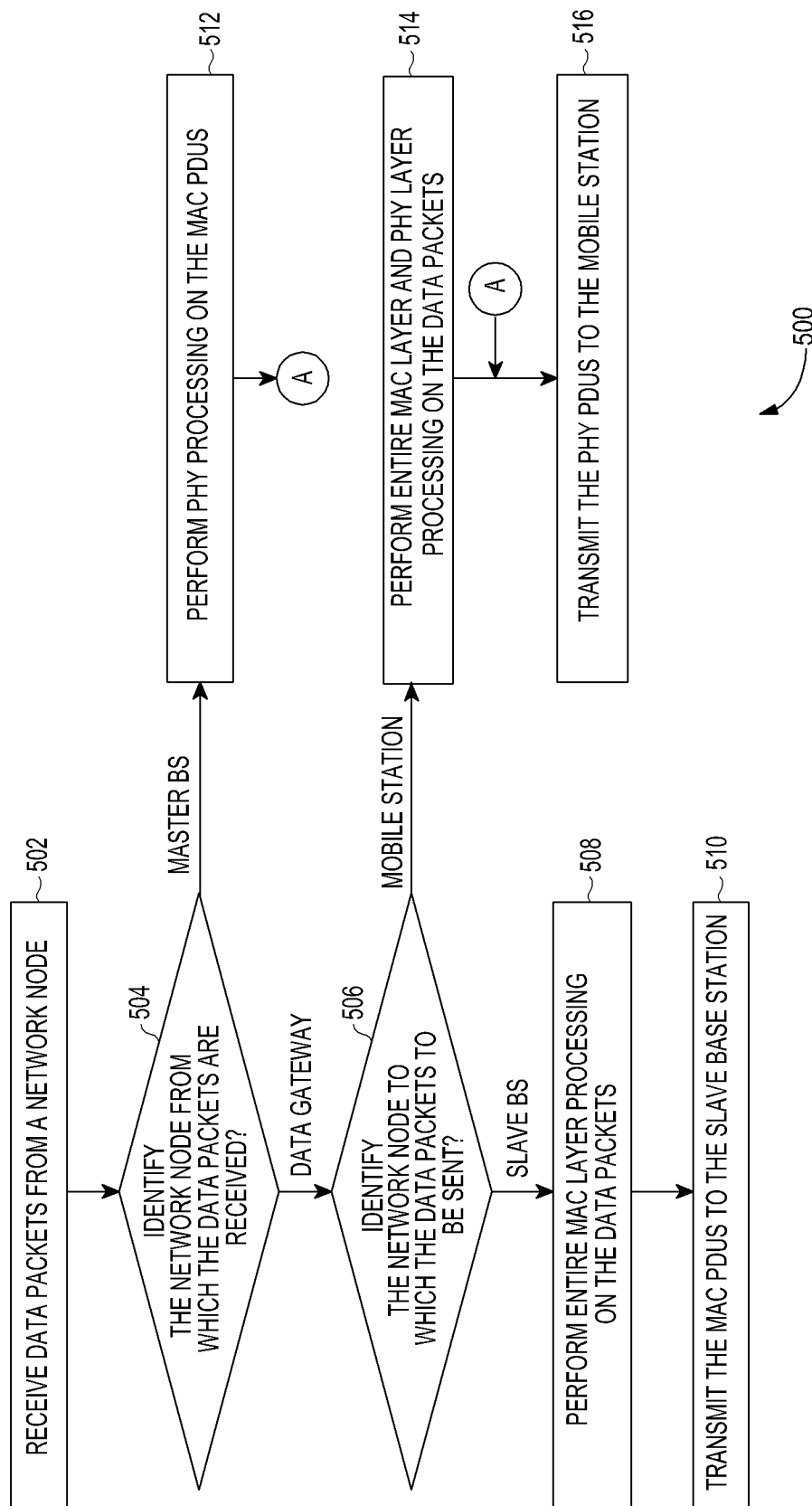
[Fig. 4A]



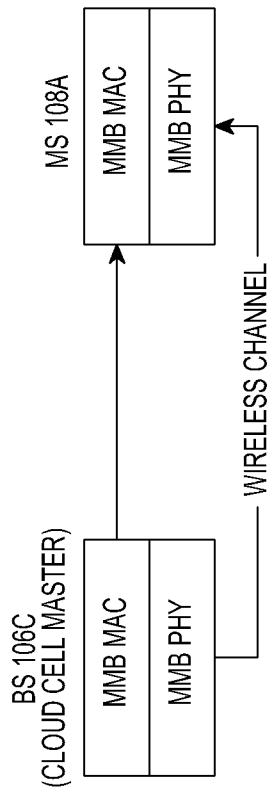
[Fig. 4B]



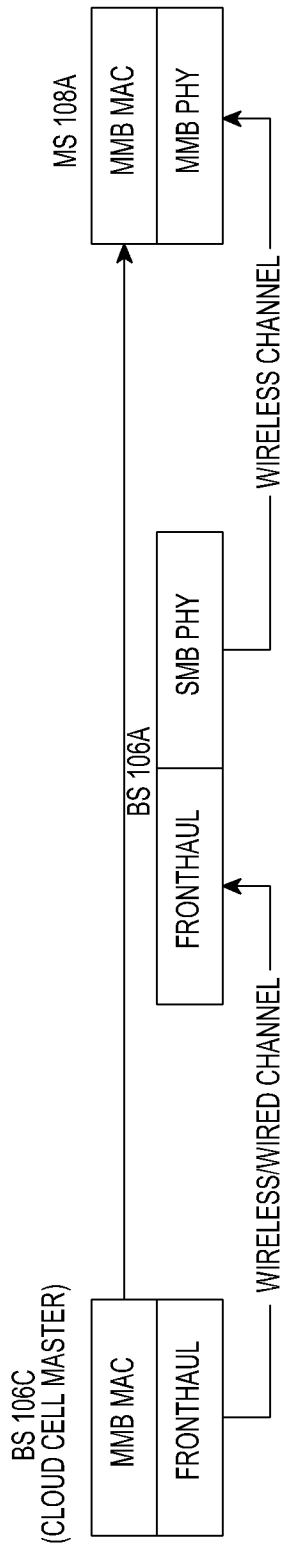
[Fig. 5]



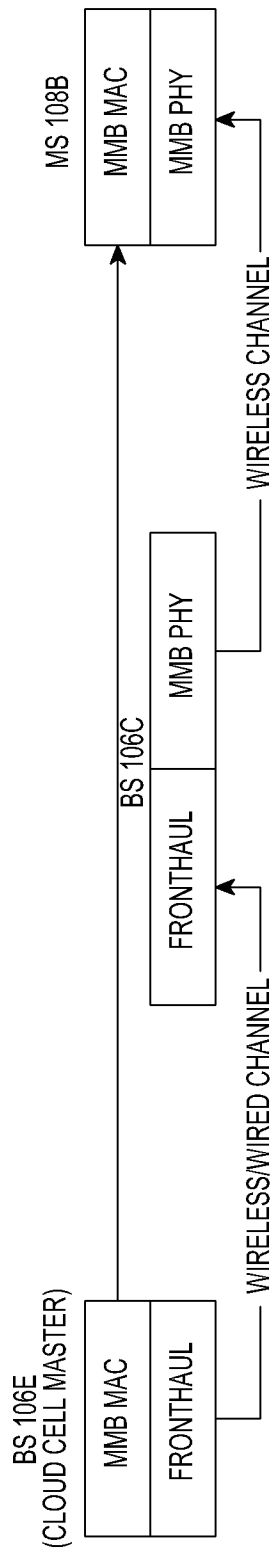
[Fig. 6A]



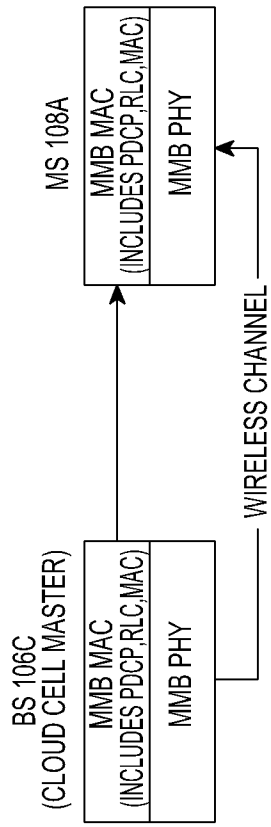
[Fig. 6B]



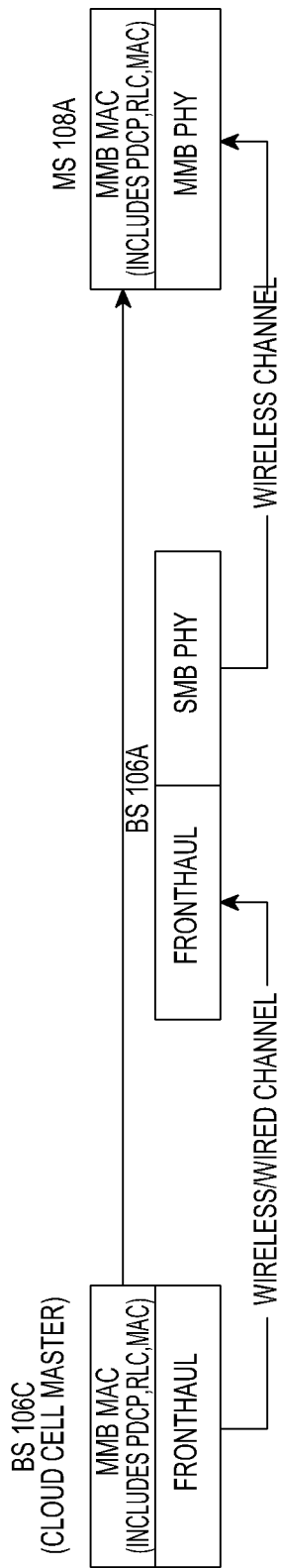
[Fig. 6C]



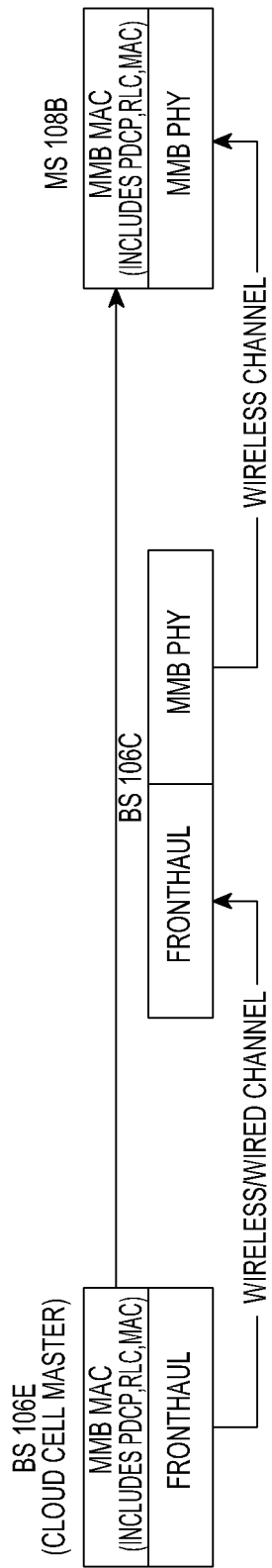
[Fig. 6D]



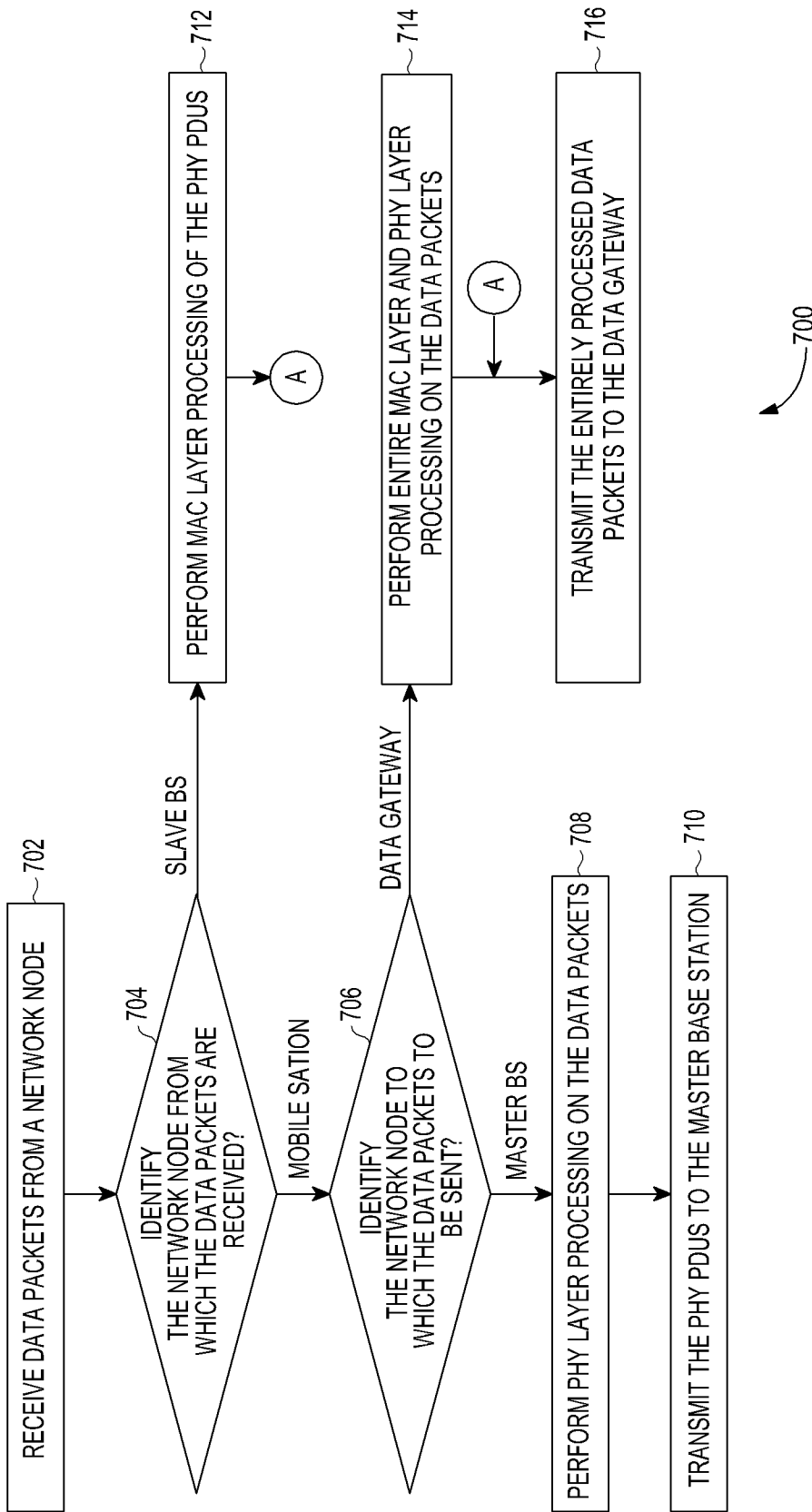
[Fig. 6E]



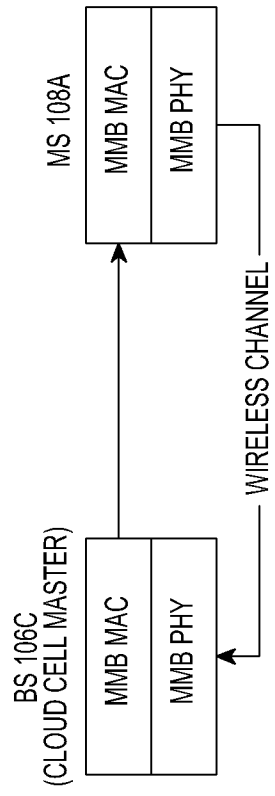
[Fig. 6F]



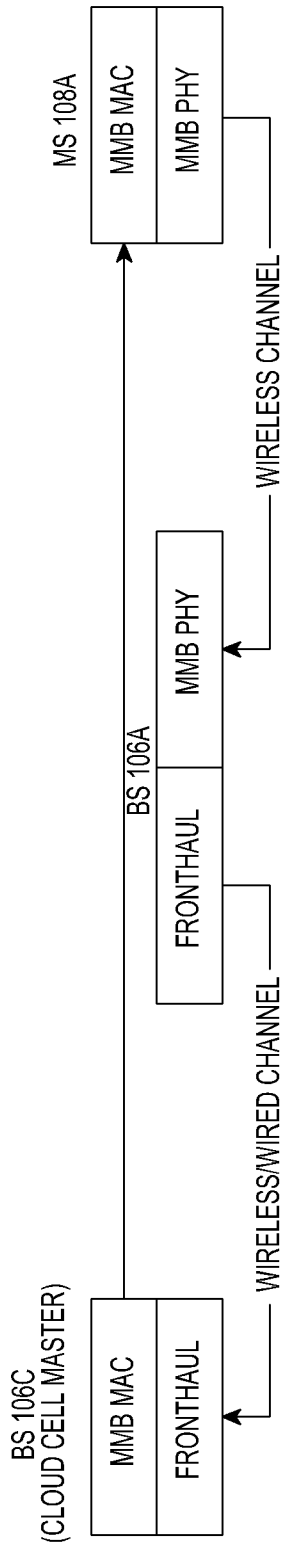
[Fig. 7]



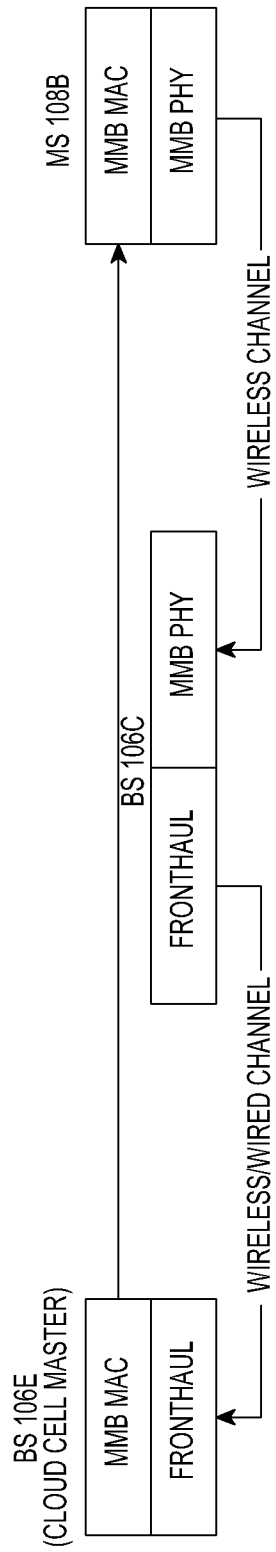
[Fig. 8A]



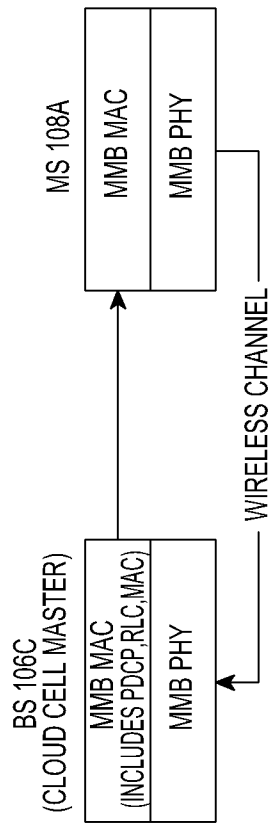
[Fig. 8B]



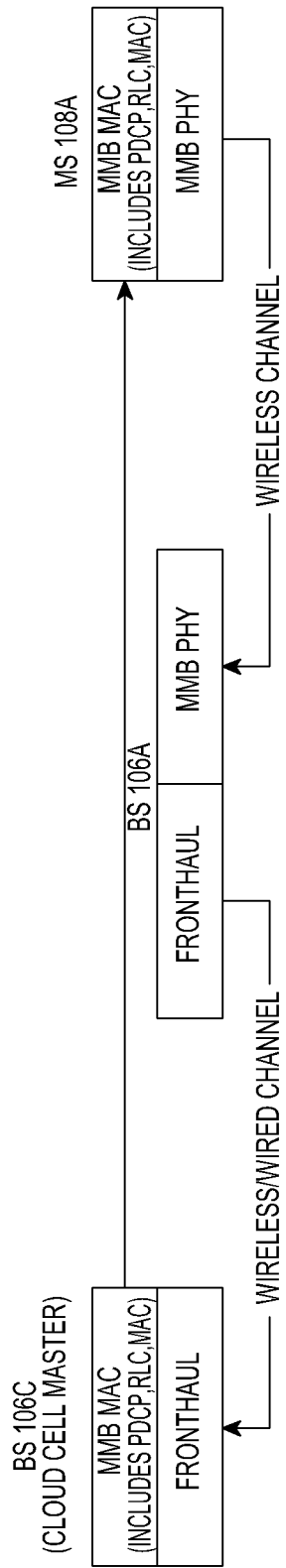
[Fig. 8C]



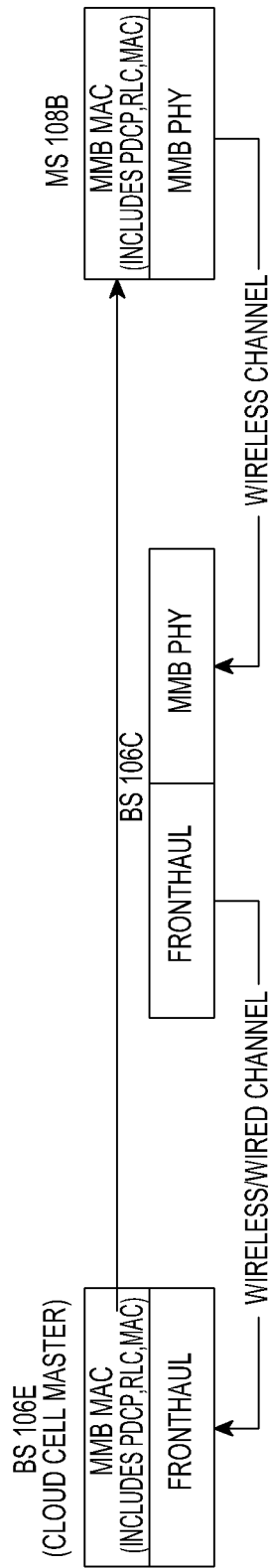
[Fig. 8D]



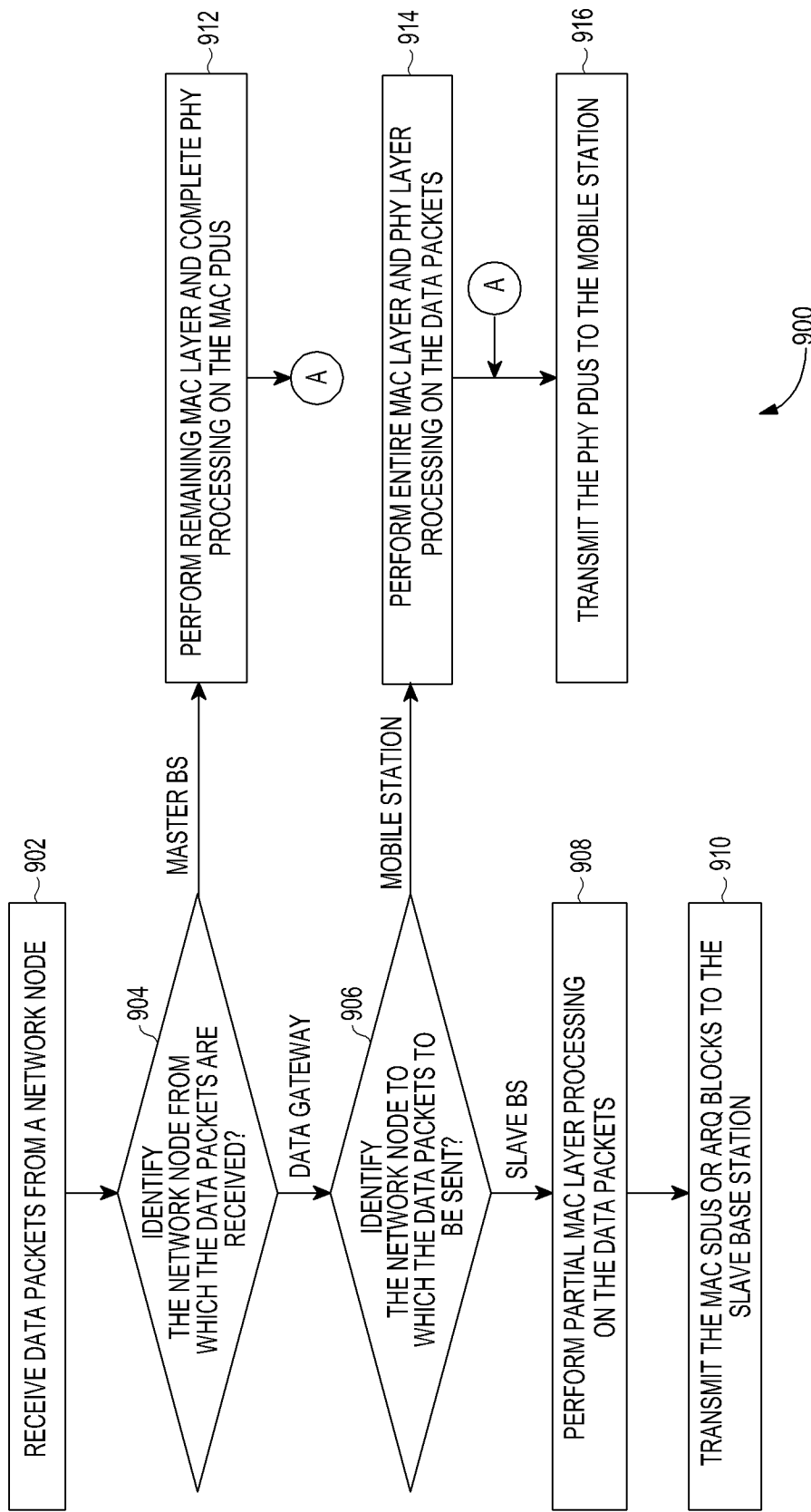
[Fig. 8E]



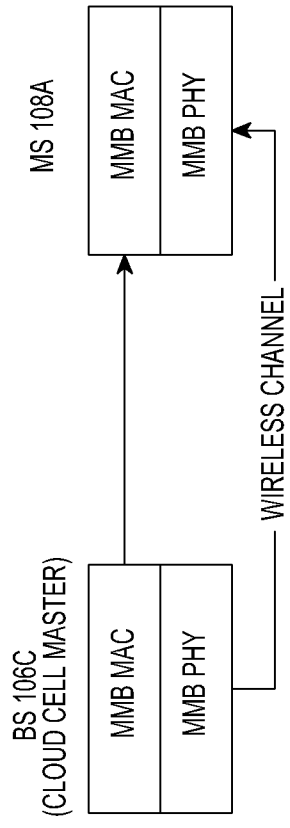
[Fig. 8F]



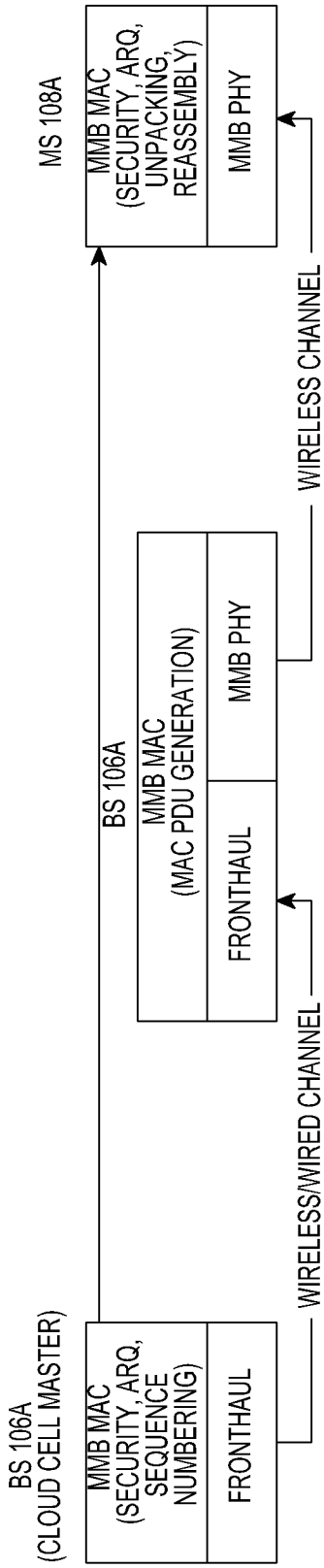
[Fig. 9]



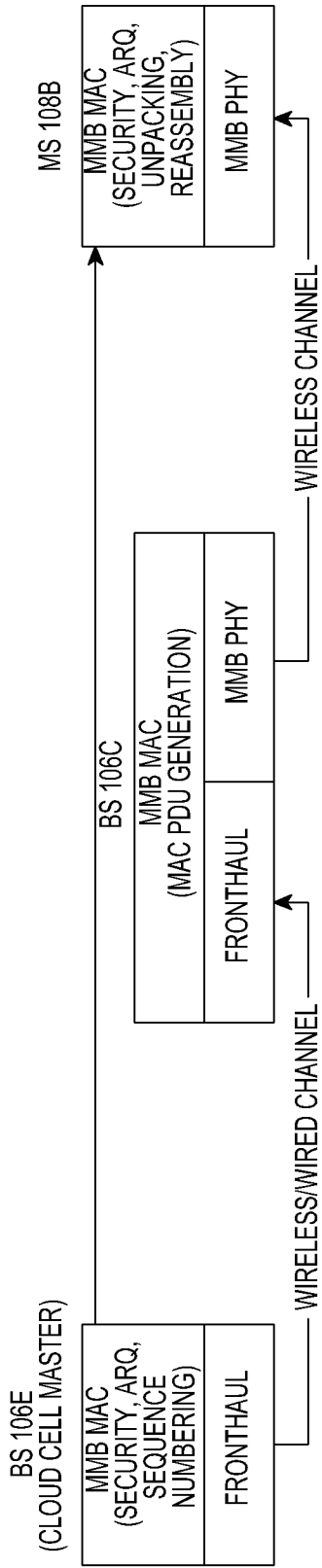
[Fig. 10A]



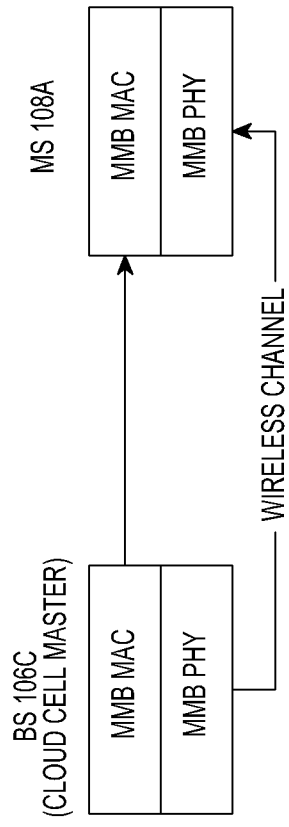
[Fig. 10B]



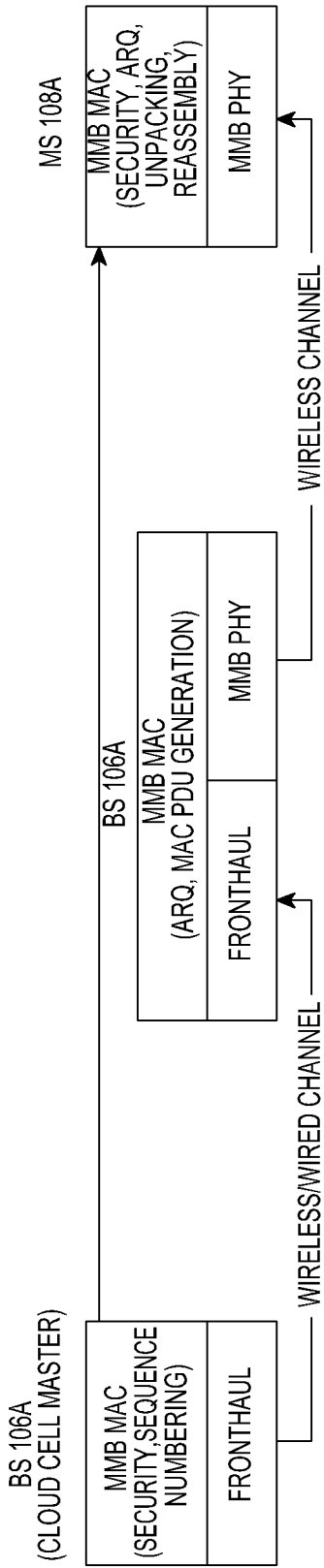
[Fig. 10C]



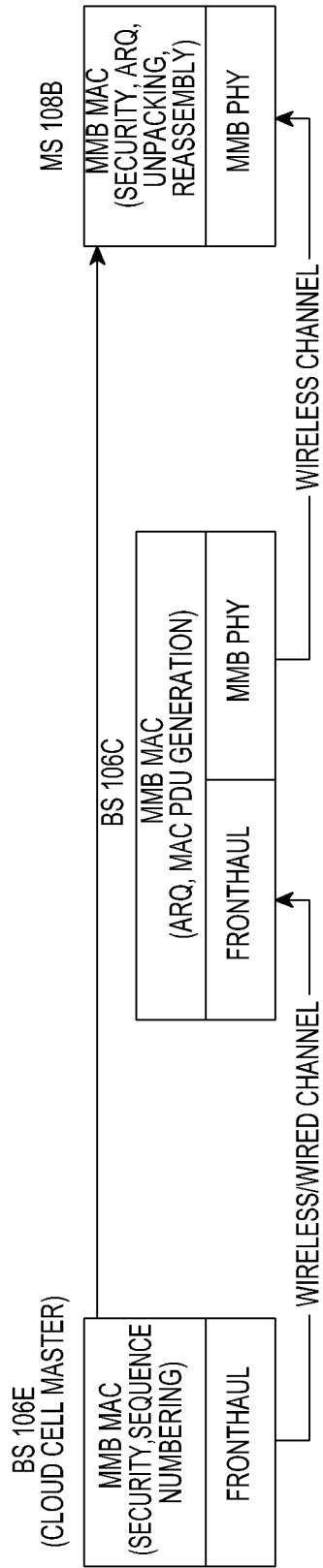
[Fig. 10D]



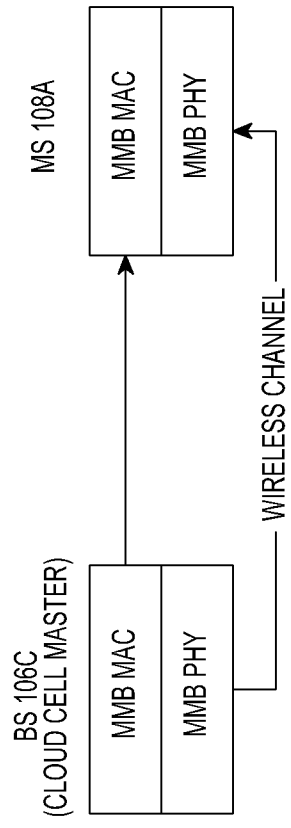
[Fig. 10E]



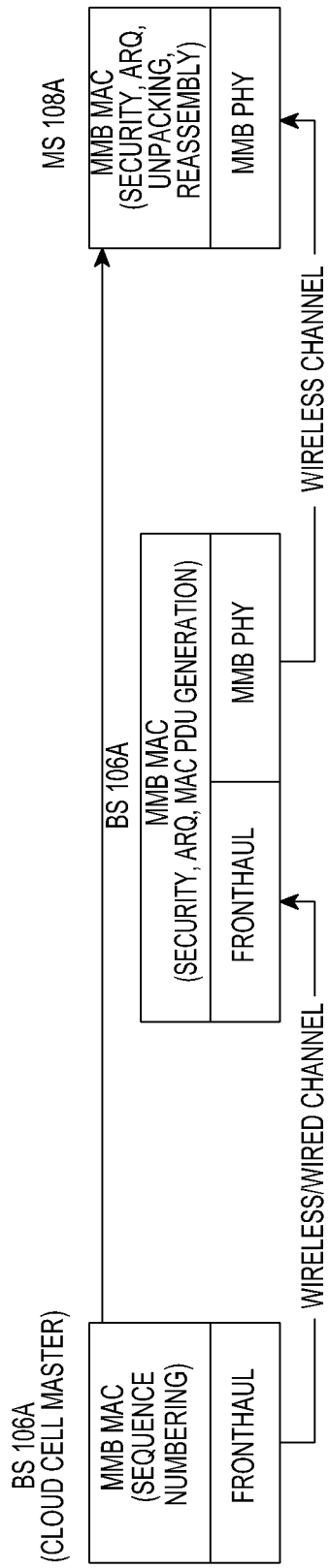
[Fig. 10F]



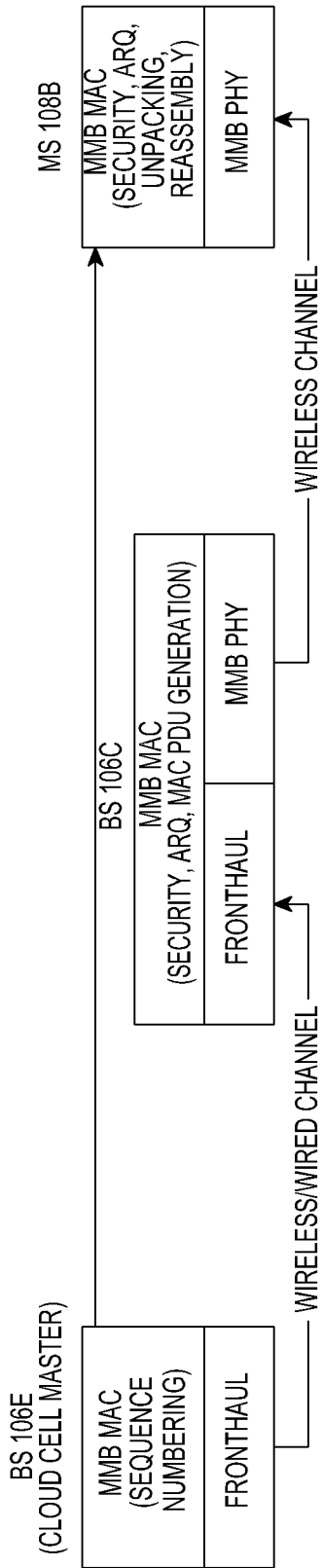
[Fig. 10G]



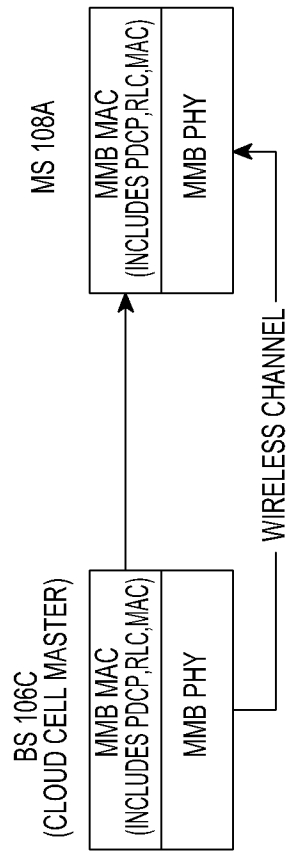
[Fig. 10H]



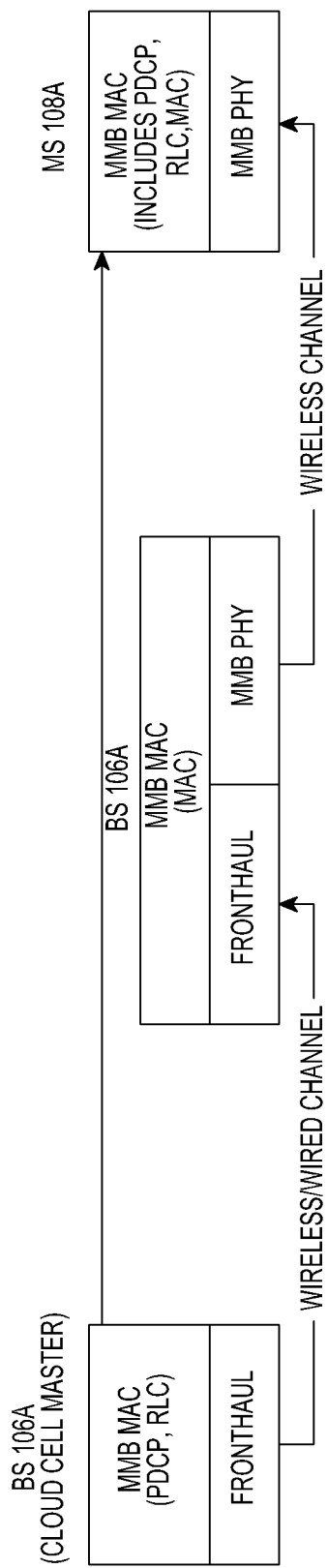
[Fig. 10I]



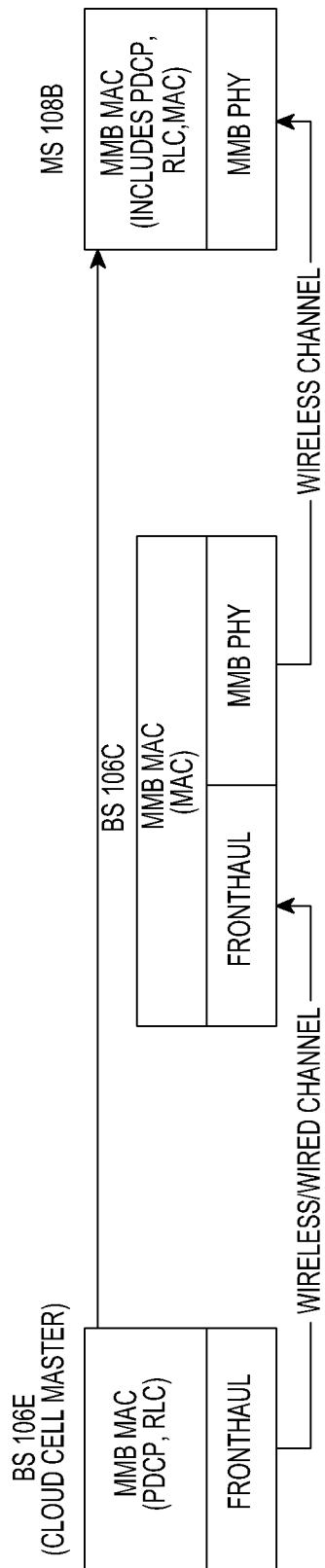
[Fig. 10J]



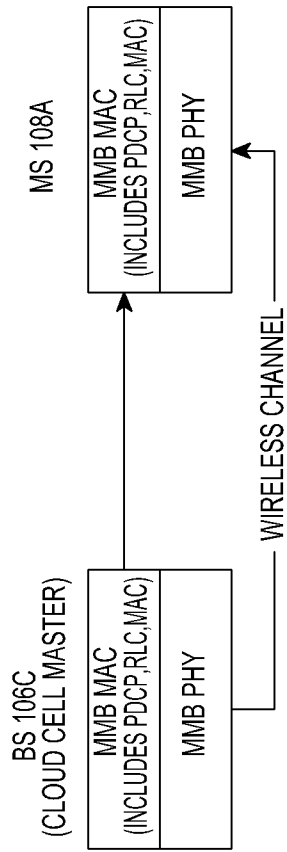
[Fig. 10K]



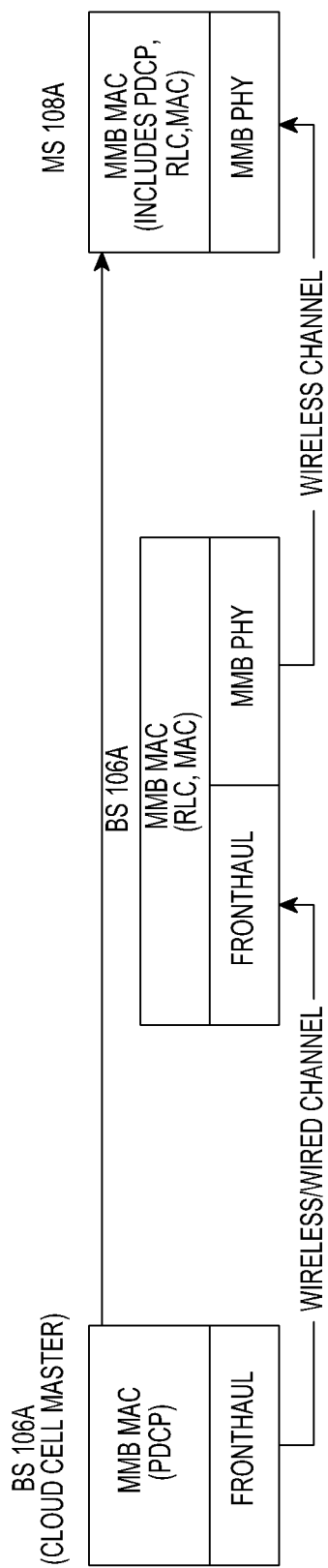
[Fig. 10L]



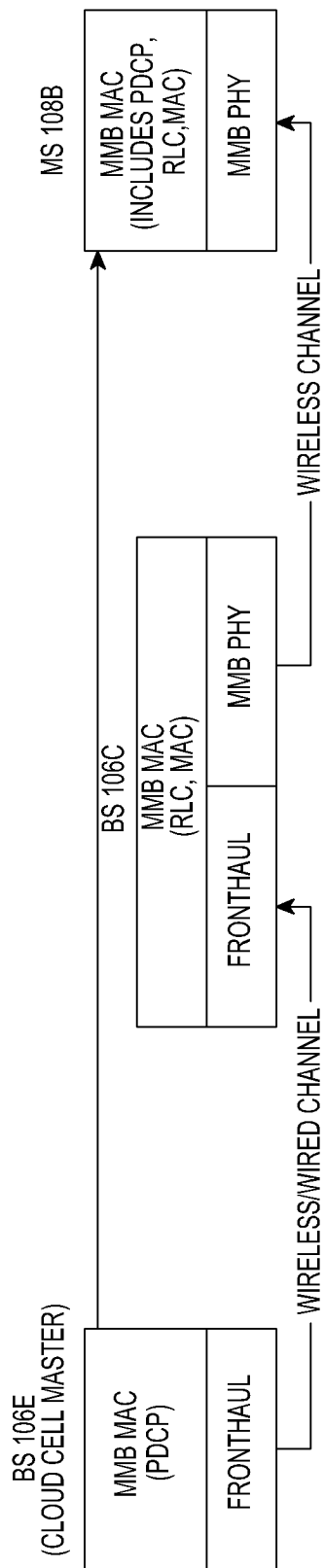
[Fig. 10M]



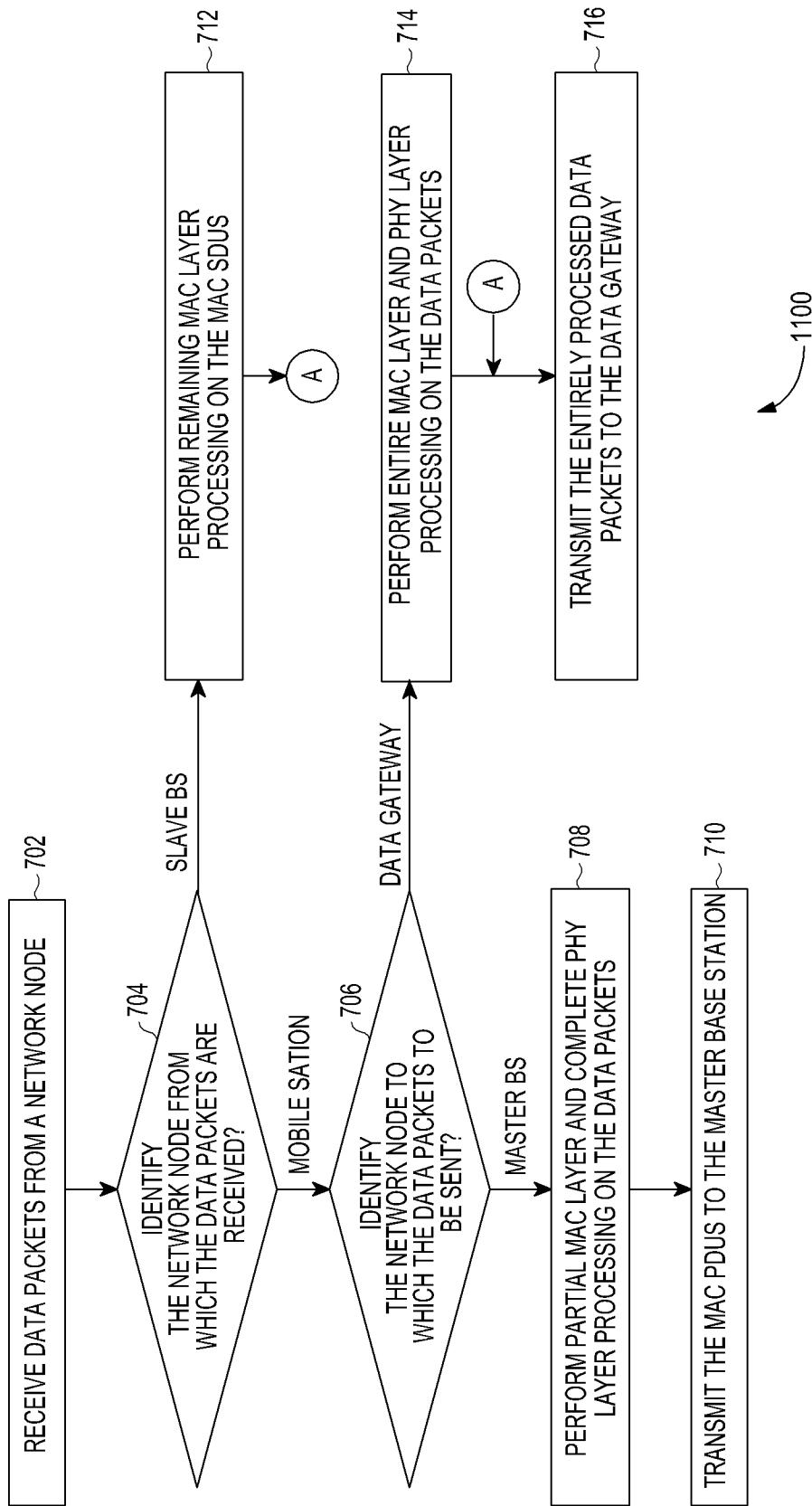
[Fig. 10N]



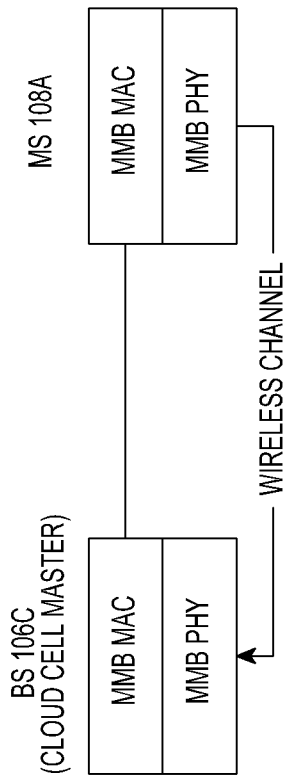
[Fig. 100]



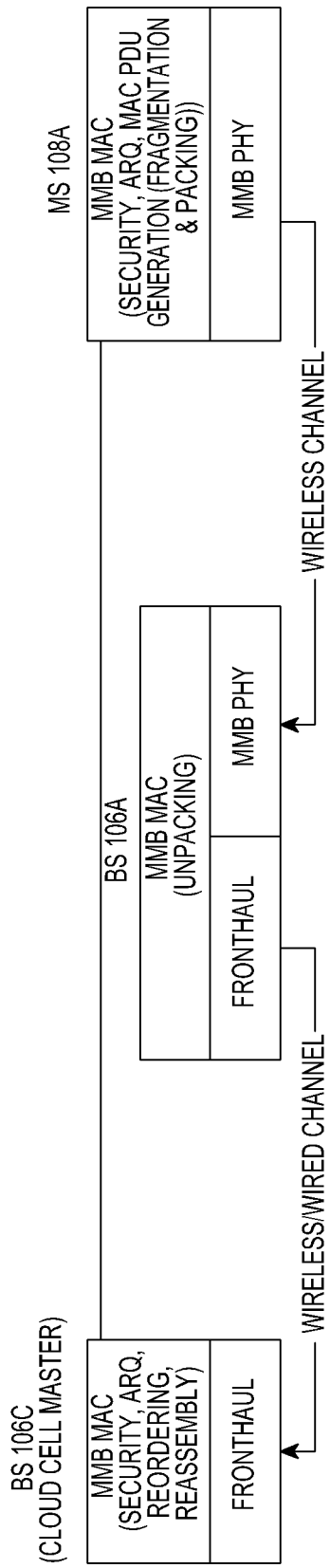
[Fig. 11]



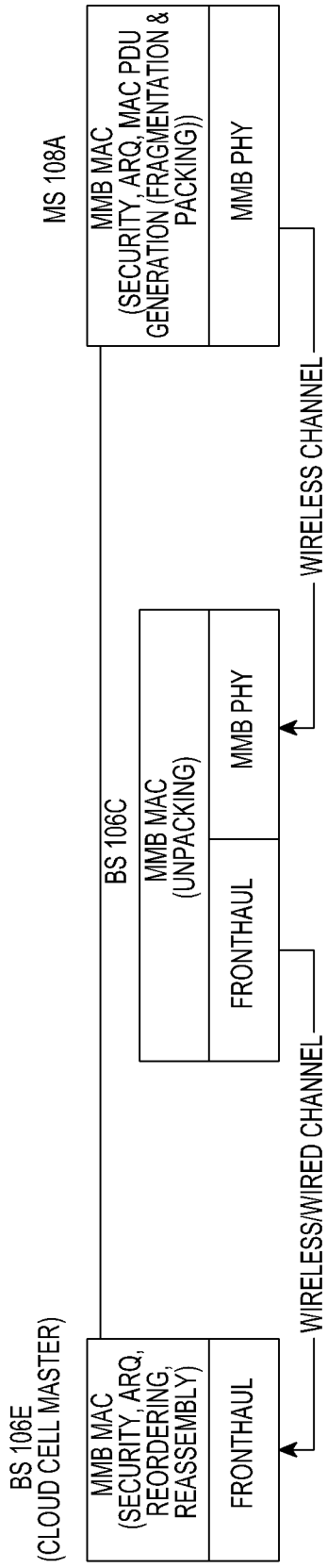
[Fig. 12A]



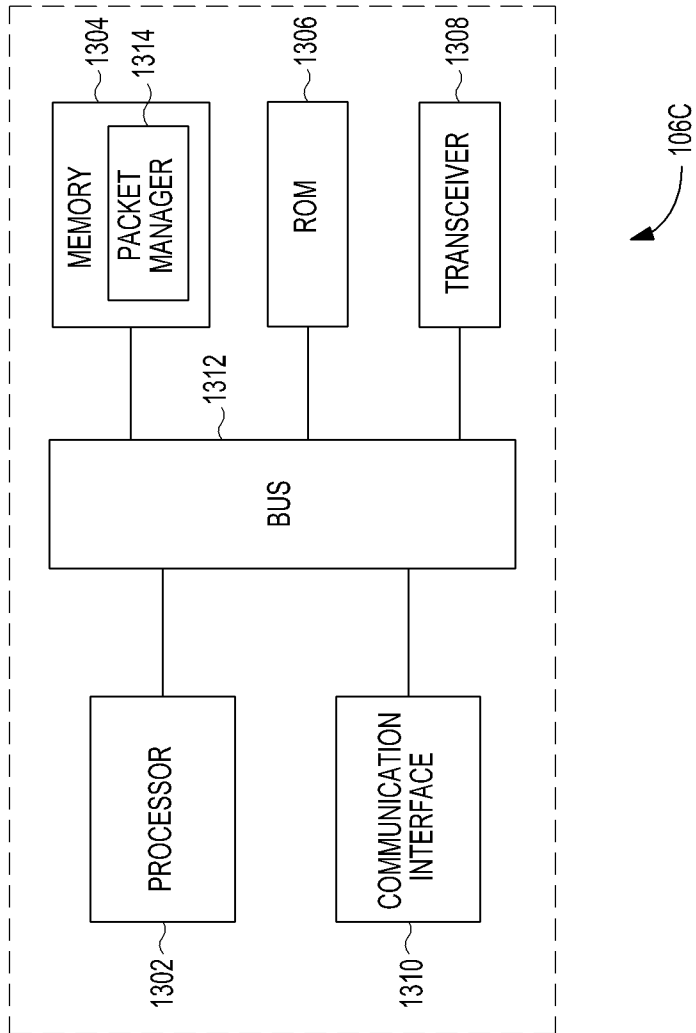
[Fig. 12B]



[Fig. 12C]



[Fig. 13]



A. CLASSIFICATION OF SUBJECT MATTER**H04L 29/06(2006.01)i, H04L 12/66(2006.01)i**

According to International Patent Classification (IPC) or to both national classification and IPC

B. FIELDS SEARCHED

Minimum documentation searched (classification system followed by classification symbols)

H04L 29/06; H04B 7/185; H04Q 7/20; H04B 3/36; H04L 9/00; H04B 7/14; H04L 12/66

Documentation searched other than minimum documentation to the extent that such documents are included in the fields searched

Korean utility models and applications for utility models
Japanese utility models and applications for utility models

Electronic data base consulted during the international search (name of data base and, where practicable, search terms used)

eKOMPASS(KIPO internal) & Keywords: millimeter-wave mobile broadband (MMB), cloud, cell, master base station, slave base station, data gateway, entire/partial processing

C. DOCUMENTS CONSIDERED TO BE RELEVANT

Category*	Citation of document, with indication, where appropriate, of the relevant passages	Relevant to claim No.
A	US 2007-0281613 A1 (MI-HYUN LEE et al.) 06 December 2007 See paras. 29-43; and figs. 10, 17-20.	1-40
A	US 7664458 B2 (HIDENORI ISHII et al.) 16 February 2010 See abstract; claim 1; and fig. 1.	1-40
A	WO 02-33866 A2 (TRUSTED LOGIC) 25 April 2002 See abstract; claim 1; and figs. 2b, 2c.	1-40
A	WO 2008-155764 A2 (DUOLINK LTD.) 24 December 2008 See pages 4-6; claims 1, 9, 10; and figs. 11-15.	1-40
A	US 2003-0110379 A1 (TATU YLONEN et al.) 12 June 2003 See paras. 15-24; and figs. 1, 3.	1-40

 Further documents are listed in the continuation of Box C. See patent family annex.

* Special categories of cited documents:

"A" document defining the general state of the art which is not considered to be of particular relevance

"E" earlier application or patent but published on or after the international filing date

"L" document which may throw doubts on priority claim(s) or which is cited to establish the publication date of citation or other special reason (as specified)

"O" document referring to an oral disclosure, use, exhibition or other means

"P" document published prior to the international filing date but later than the priority date claimed

"T" later document published after the international filing date or priority date and not in conflict with the application but cited to understand the principle or theory underlying the invention

"X" document of particular relevance; the claimed invention cannot be considered novel or cannot be considered to involve an inventive step when the document is taken alone

"Y" document of particular relevance; the claimed invention cannot be considered to involve an inventive step when the document is combined with one or more other such documents, such combination being obvious to a person skilled in the art

"&" document member of the same patent family


Date of the actual completion of the international search

25 July 2013 (25.07.2013)

Date of mailing of the international search report

26 July 2013 (26.07.2013)

Name and mailing address of the ISA/KR



Korean Intellectual Property Office
189 Cheongsa-ro, Seo-gu, Daejeon Metropolitan City,
302-701, Republic of Korea

Facsimile No. +82-42-472-7140

Authorized officer

KIM Byoung Sung

Telephone No. +82-42-481-8403



INTERNATIONAL SEARCH REPORT

Information on patent family members

International application No.

PCT/KR2013/003111

Patent document cited in search report	Publication date	Patent family member(s)	Publication date		
US 2007-0281613 A1	06/12/2007	AU 2007-239160 A1	25/10/2007		
		AU 2007-239160 B2	02/09/2010		
		CA 2648166 A1	25/10/2007		
		CN 101473557 A	01/07/2009		
		CN 101473557 B	10/04/2013		
		EP 1848165 A2	24/10/2007		
		EP 1848165 A3	04/05/2011		
		JP 04880747 B2	22/02/2012		
		JP 2009-533943 A	17/09/2009		
		KR 10-0866024 B1	30/10/2008		
		KR 10-2007-0108426 A	12/11/2007		
		US 8014338 B2	06/09/2011		
		WO 2007-120023 A1	25/10/2007		
		US 7664458 B2	16/02/2010	CN 100496160 C	03/06/2009
CN 1918924 A	21/02/2007				
JP 04642384 B2	02/03/2011				
JP 2005-348150 A	15/12/2005				
US 2008-0045220 A1	21/02/2008				
WO 2005-120100 A1	15/12/2005				
WO 02-33866 A2	25/04/2002			AT 463920 T	15/04/2010
		AU 2002-014082 A1	29/04/2002		
		CN 100518193 C	22/07/2009		
		CN 1529972 A	15/09/2004		
		DE 60141770 D1	20/05/2010		
		EP 1356656 A2	29/10/2003		
		EP 1356656 B1	07/04/2010		
		FR 2815801 A1	26/04/2002		
		FR 2815801 B1	29/10/2004		
		JP 04463471 B2	19/05/2010		
		JP 2004-512593 A	22/04/2004		
		US 2004-054817 A1	18/03/2004		
		US 6901459 B2	31/05/2005		
		WO 02-33866 A3	04/09/2003		
		WO 2008-155764 A2	24/12/2008	US 2010-0157901 A1	24/06/2010
				WO 2008-155764 A3	25/02/2010
US 2003-0110379 A1	12/06/2003	AU 2002-350759 A1	17/06/2003		
		EP 1451998 A1	01/09/2004		
		US 2010-0024026 A1	28/01/2010		
		WO 03-049400 A1	12/06/2003		