

(19) World Intellectual Property Organization
International Bureau



(43) International Publication Date
29 November 2007 (29.11.2007)

PCT

(10) International Publication Number
WO 2007/137153 A3

(51) International Patent Classification:
E21B 43/30 (2006.01) *E21B 43/16* (2006.01)

(74) Agent: HICKMAN, William E.; Shell Oil Company, One Shell Plaza, P.O. Box 2463, Houston, Texas 77252-2463 (US).

(21) International Application Number:
PCT/US2007/069225

(81) Designated States (unless otherwise indicated, for every kind of national protection available): AE, AG, AL, AM, AT, AU, AZ, BA, BB, BG, BH, BR, BW, BY, BZ, CA, CH, CN, CO, CR, CU, CZ, DE, DK, DM, DZ, EC, EE, EG, ES, FI, GB, GD, GE, GH, GM, GT, HN, HR, HU, ID, IL, IN, IS, JP, KE, KG, KM, KN, KP, KR, KZ, LA, LC, LK, LR, LS, LT, LU, LY, MA, MD, ME, MG, MK, MN, MW, MX, MY, MZ, NA, NG, NI, NO, NZ, OM, PG, PH, PL, PT, RO, RS, RU, SC, SD, SE, SG, SK, SL, SM, SV, SY, TJ, TM, TN, TR, TT, TZ, UA, UG, US, UZ, VC, VN, ZA, ZM, ZW.

(22) International Filing Date: 18 May 2007 (18.05.2007)

(25) Filing Language: English

(26) Publication Language: English

(30) Priority Data:
60/747,908 22 May 2006 (22.05.2006) US

(71) Applicant (for SM only): SHELL OIL COMPANY [US/US]; One Shell Plaza, P.O. Box 2463, Houston, Texas 77252-2463 (US).

(84) Designated States (unless otherwise indicated, for every kind of regional protection available): ARIPO (BW, GH, GM, KE, LS, MW, MZ, NA, SD, SL, SZ, TZ, UG, ZM, ZW), Eurasian (AM, AZ, BY, KG, KZ, MD, RU, TJ, TM), European (AT, BE, BG, CH, CY, CZ, DE, DK, EE, ES, FI, FR, GB, GR, HU, IE, IS, IT, LT, LU, LV, MC, MT, NL, PL, PT, RO, SE, SI, SK, TR), OAPI (BF, BJ, CF, CG, CI, CM, GA, GN, GQ, GW, ML, MR, NE, SN, TD, TG).

(71) Applicant (for all designated States except US): SHELL INTERNATIONALE RESEARCH MAATSCHAPPIJ B.V. [NL/NL]; Carel van Bylandtlaan 30, NL-2596 HR The Hague (NL).

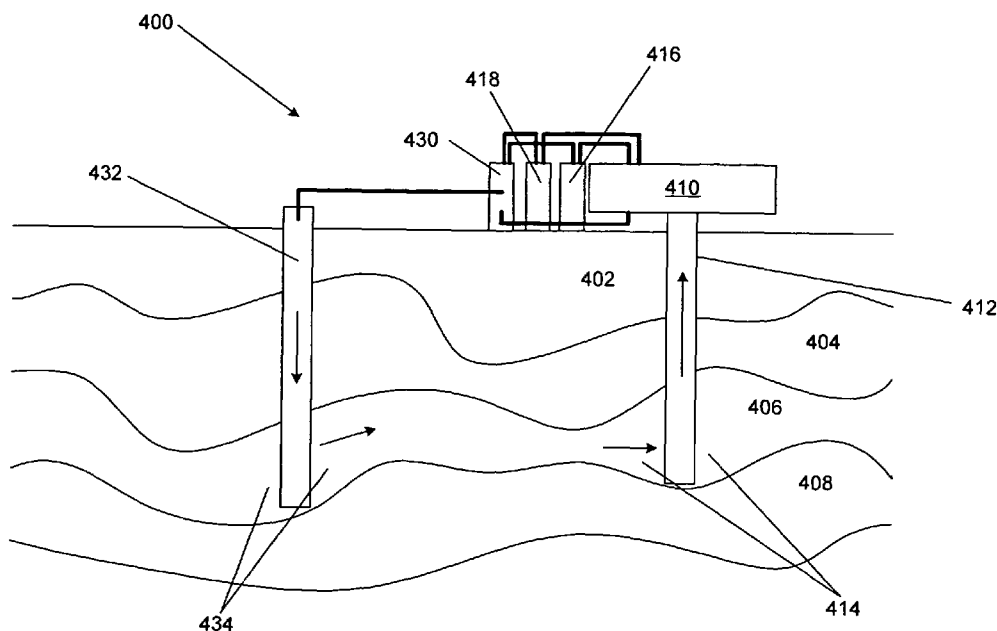
(72) Inventor; and

(75) Inventor/Applicant (for US only): HSU, Chia-fu [US/US]; 12030 Monogram Avenue, Granada Hills, California 91344 (US).

Published:
— with international search report

[Continued on next page]

(54) Title: SYSTEMS AND METHODS FOR PRODUCING OIL AND/OR GAS



(57) Abstract: A system for producing oil and/or gas from an underground formation comprising a first array of wells (202) dispersed above the formation; a second array of wells (204) dispersed above the formation; wherein the first array of wells comprises a mechanism to inject a miscible enhanced oil recovery formulation into the formation while the second array of wells comprises a mechanism to produce oil and/or gas from the formation (306) for a first time period; and wherein the second array of wells comprises a mechanism to inject a miscible enhanced oil recovery formulation into the formation (306) while the first array of wells comprises a mechanism to produce oil and/or gas from the formation (306) for a second time period.

WO 2007/137153 A3



— *before the expiration of the time limit for amending the claims and to be republished in the event of receipt of amendments*

For two-letter codes and other abbreviations, refer to the "Guidance Notes on Codes and Abbreviations" appearing at the beginning of each regular issue of the PCT Gazette.

(88) Date of publication of the international search report:

17 January 2008

INTERNATIONAL SEARCH REPORT

International application No
PCT/US2007/069225

A. CLASSIFICATION OF SUBJECT MATTER INV. E21B43/30 E21B43/16				
According to International Patent Classification (IPC) or to both national classification and IPC				
B. FIELDS SEARCHED				
Minimum documentation searched (classification system followed by classification symbols) E21B				
Documentation searched other than minimum documentation to the extent that such documents are included in the fields searched				
Electronic data base consulted during the International search (name of data base and, where practical, search terms used) EPO-Internal				
C. DOCUMENTS CONSIDERED TO BE RELEVANT				
Category*	Citation of document, with indication, where appropriate, of the relevant passages	Relevant to claim No.		
A X	US 3 840 073 A (ALLEN J ET AL) 8 October 1974 (1974-10-08) column 5, line 38 - column 6, line 8; figure 1	1,20 12-19		
A X	US 3 878 892 A (ALLEN JOSEPH C ET AL) 22 April 1975 (1975-04-22) claims 18,20	1,20 12-19		
A X	US 3 823 777 A (ALLEN J ET AL) 16 July 1974 (1974-07-16) column 7, line 25 - line 60	1,20 12-19		
A	US 5 607 016 A (BUTLER ROGER M [CA]) 4 March 1997 (1997-03-04) abstract	1,12,20		
----- -/--				
<input checked="" type="checkbox"/> Further documents are listed in the continuation of Box C.				
<input checked="" type="checkbox"/> See patent family annex.				
* Special categories of cited documents :				
<table style="width: 100%; border: none;"> <tr> <td style="width: 50%; border: none; vertical-align: top;"> "A" document defining the general state of the art which is not considered to be of particular relevance "E" earlier document but published on or after the International filing date "L" document which may throw doubts on priority claim(s) or which is cited to establish the publication date of another citation or other special reason (as specified) "O" document referring to an oral disclosure, use, exhibition or other means "P" document published prior to the International filing date but later than the priority date claimed </td> <td style="width: 50%; border: none; vertical-align: top;"> "T" later document published after the International filing date or priority date and not in conflict with the application but cited to understand the principle or theory underlying the invention "X" document of particular relevance; the claimed invention cannot be considered novel or cannot be considered to involve an inventive step when the document is taken alone "Y" document of particular relevance; the claimed invention cannot be considered to involve an inventive step when the document is combined with one or more other such documents, such combination being obvious to a person skilled in the art. "&" document member of the same patent family </td> </tr> </table>			"A" document defining the general state of the art which is not considered to be of particular relevance "E" earlier document but published on or after the International filing date "L" document which may throw doubts on priority claim(s) or which is cited to establish the publication date of another citation or other special reason (as specified) "O" document referring to an oral disclosure, use, exhibition or other means "P" document published prior to the International filing date but later than the priority date claimed	"T" later document published after the International filing date or priority date and not in conflict with the application but cited to understand the principle or theory underlying the invention "X" document of particular relevance; the claimed invention cannot be considered novel or cannot be considered to involve an inventive step when the document is taken alone "Y" document of particular relevance; the claimed invention cannot be considered to involve an inventive step when the document is combined with one or more other such documents, such combination being obvious to a person skilled in the art. "&" document member of the same patent family
"A" document defining the general state of the art which is not considered to be of particular relevance "E" earlier document but published on or after the International filing date "L" document which may throw doubts on priority claim(s) or which is cited to establish the publication date of another citation or other special reason (as specified) "O" document referring to an oral disclosure, use, exhibition or other means "P" document published prior to the International filing date but later than the priority date claimed	"T" later document published after the International filing date or priority date and not in conflict with the application but cited to understand the principle or theory underlying the invention "X" document of particular relevance; the claimed invention cannot be considered novel or cannot be considered to involve an inventive step when the document is taken alone "Y" document of particular relevance; the claimed invention cannot be considered to involve an inventive step when the document is combined with one or more other such documents, such combination being obvious to a person skilled in the art. "&" document member of the same patent family			
Date of the actual completion of the International search <p style="text-align: center; font-weight: bold;">18 October 2007</p>	Date of mailing of the international search report <p style="text-align: center; font-weight: bold;">07/11/2007</p>			
Name and mailing address of the ISA/ European Patent Office, P.B. 5818 Patentlaan 2 NL - 2280 HV Rijswijk Tel. (+31-70) 340-2040, Tx. 31 651 epo nl, Fax: (+31-70) 340-3016	Authorized officer <p style="text-align: center; font-weight: bold;">Strømmen, Henrik</p>			

INTERNATIONAL SEARCH REPORT

International application No
PCT/US2007/069225

C(Continuation). DOCUMENTS CONSIDERED TO BE RELEVANT

Category*	Citation of document, with indication, where appropriate, of the relevant passages	Relevant to claim No.
A	US 4 182 416 A (MELDAU ROBERT F [US] ET AL) 8 January 1980 (1980-01-08) column 1, line 36 - line 56 -----	1, 12, 20

INTERNATIONAL SEARCH REPORT

Information on patent family members

International application No

PCT/US2007/069225

Patent document cited in search report		Publication date		Patent family member(s)	Publication date
US 3840073	A	08-10-1974	CA	1002871 A1	04-01-1977
US 3878892	A	22-04-1975	CA	1001068 A1	07-12-1976
US 3823777	A	16-07-1974	CA	1005339 A1	15-02-1977
US 5607016	A	04-03-1997	NONE		
US 4182416	A	08-01-1980	NONE		