



US00D842484S

(12) **United States Design Patent**  
**LeMasney**

(10) **Patent No.:** **US D842,484 S**

(45) **Date of Patent:** **\*\* Mar. 5, 2019**

(54) **COSMETIC STEAMER**

FOREIGN PATENT DOCUMENTS

(71) Applicant: **Renee M. LeMasney**, Middletown, DE  
(US)

CN 203694061 U 7/2014  
CN 203694064 U 7/2014

(Continued)

(72) Inventor: **Renee M. LeMasney**, Middletown, DE  
(US)

OTHER PUBLICATIONS

(\*\*) Term: **15 Years**

Esino Handheld Handy Mini Travel Garment Steamer, posted at ec21.com, posting date Jul. 10, 2013, © 1997-2015 EC21 Inc., [online], [site visited Nov. 16, 2015]. Available from Internet, <URL: <http://www.ec21.com/product-details/ESINO-Handheld-Handy-Mini-Travel--8269807.html>>.

(Continued)

(21) Appl. No.: **29/618,678**

(22) Filed: **Sep. 22, 2017**

(51) **LOC (11) Cl.** ..... **23-02**

(52) **U.S. Cl.**

USPC ..... **D24/203**

(58) **Field of Classification Search**

USPC ..... D24/201-205, 110, 207; D23/360;  
D6/708.17, 708.18; D28/9, 360; D9/448;  
D32/17

CPC ..... A61H 33/06; A61H 33/12; A61H  
2201/0153; A61H 2201/0157

See application file for complete search history.

*Primary Examiner* — Anhdao Doan

(74) *Attorney, Agent, or Firm* — Inventech Patent Services, LLC

(57) **CLAIM**

I claim the ornamental design for a cosmetic steamer, as shown and described.

(56) **References Cited**

U.S. PATENT DOCUMENTS

3,646,317	A	2/1972	Osrow	
3,654,780	A	4/1972	Frank	
3,675,449	A	7/1972	Bluestein	
3,707,971	A	1/1973	Yamamoto	
3,742,629	A	7/1973	Plasko	
4,399,349	A	8/1983	Deming et al.	
D271,041	S	10/1983	Brun	
D279,312	S	6/1985	Pohlmann	
4,616,122	A	10/1986	Burian et al.	
5,607,409	A	3/1997	John	
5,781,691	A	7/1998	Kwok	
D405,523	S *	2/1999	Pietrobon	D24/110
D425,241	S *	5/2000	Nishizawa	D28/9
6,101,317	A	8/2000	Stern	
D430,657	S *	9/2000	Allende	D23/360
D437,175	S	2/2001	Brady	
6,282,369	B1	8/2001	Maier et al.	

(Continued)

**DESCRIPTION**

FIG. 1 is a perspective view of a cosmetic steamer, showing my new design;  
FIG. 2 is a front elevational view thereof;  
FIG. 3 is a right-side elevational view thereof;  
FIG. 4 is a rear elevational view thereof;  
FIG. 5 is a left-side elevational view thereof;  
FIG. 6 is a top plan view thereof; and,  
FIG. 7 is a bottom plan view thereof.

The broken lines immediately adjacent the shaded areas represent the bounds of the claim, while all other broken lines are directed to environment and are for illustrative purposes only; the broken lines form no part of the claimed design.

**1 Claim, 6 Drawing Sheets**



(56)

References Cited

U.S. PATENT DOCUMENTS

6,314,972 B1 11/2001 Sin  
 6,484,347 B1 11/2002 Wang  
 D481,183 S 10/2003 Mangano  
 D483,493 S \* 12/2003 Lie ..... D24/203  
 D495,059 S 8/2004 Lie  
 6,842,918 B2 1/2005 Fung  
 D533,650 S 12/2006 Ohta  
 D535,372 S 1/2007 Kaizuka  
 D592,366 S 5/2009 Mangano  
 D598,614 S 8/2009 Lam  
 D620,208 S 7/2010 Mangano  
 D666,865 S 9/2012 Spivey et al.  
 8,272,152 B2 9/2012 Fernandez  
 D674,564 S 1/2013 Mangano  
 D679,502 S \* 4/2013 Itano ..... D4/102  
 8,555,533 B2 10/2013 Lin et al.  
 D702,406 S 4/2014 Mu  
 D708,801 S 7/2014 Israel  
 8,881,335 B2 11/2014 Vrdoljak et al.  
 8,893,410 B2 11/2014 Vrdoljak et al.  
 D733,982 S 7/2015 Cui  
 D734,575 S 7/2015 Zeng  
 D759,831 S \* 6/2016 Levi ..... D24/200  
 9,410,283 B1 8/2016 Maronikolakis et al.  
 D771,331 S 11/2016 Chaklos  
 9,549,651 B2 1/2017 Cooper  
 2010/0024492 A1 2/2010 Leung  
 2010/0058623 A1 3/2010 Fernandez

2014/0361104 A1\* 12/2014 Watanabe ..... A61H 33/12  
 239/589  
 2016/0018100 A1 1/2016 Batt et al.  
 2017/0020781 A1 1/2017 Tang et al.

FOREIGN PATENT DOCUMENTS

CN 203960624 U 11/2014  
 CN 205073274 U 3/2016  
 CN 205234920 U 5/2016  
 CN 205307368 U 6/2016  
 CN 205494368 U 8/2016  
 EP 0591329 B1 7/1996  
 GB 2487401 A 7/2012  
 WO 1992021306 A1 12/1992  
 WO 1994004116 A1 3/1994  
 WO 2007147731 A2 12/2007  
 WO 2016090538 A1 6/2016

OTHER PUBLICATIONS

Go-Mini My Little Steamer by Joy Mangano, posted at Apartment-therapy.com, posting date Nov. 19, 2009, © Apartmenttherapy.com, [online], [site visited Nov. 16, 2015]. Available from Internet, <URL: <http://www.apartmenttherapy.com/gomini-my-little-steamer-by-jo-101678>>.  
 The Remarlé® Hair and Face Steamer®, posted at remarlellc.com, archived date Jan. 26, 2016, © 2016 Remarlé® Natural Skin Care, [online], [site visited Sep. 23, 2017]. Internet archive available via Wayback Machine, from Internet, <URL: <https://web.archive.org/web/20160126191450/http://remarlellc.com/products/face-steamer-hair-steamer-garment-steamer-humidifier-all-in-one>>.

\* cited by examiner

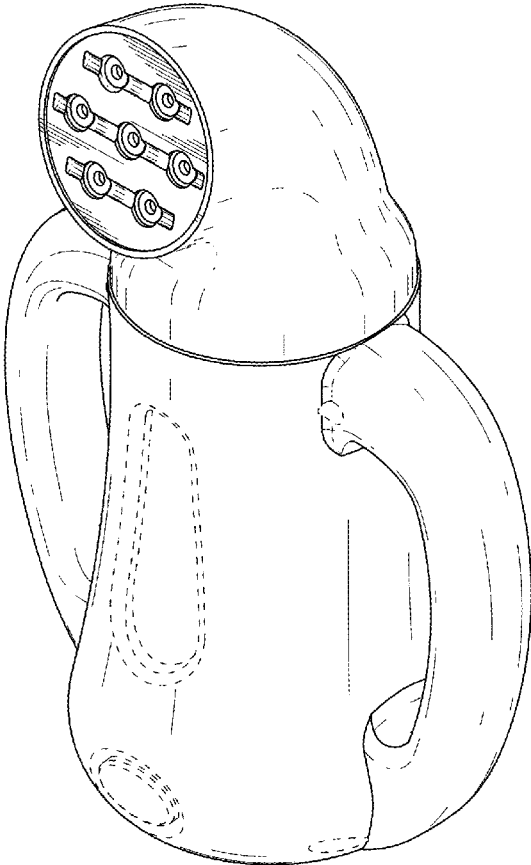


FIG. 1

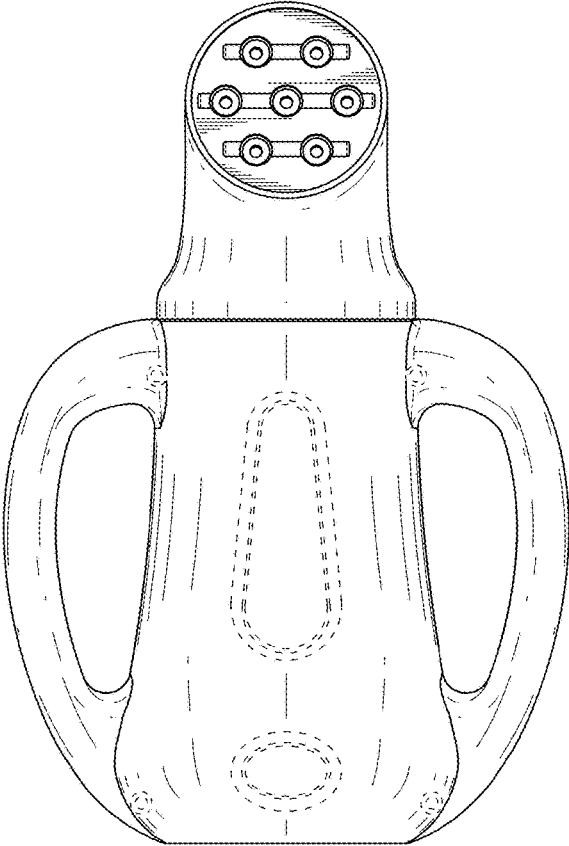


FIG. 2

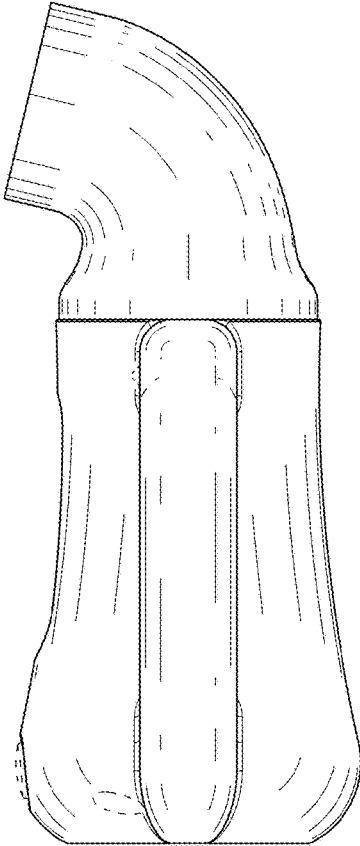


FIG. 3

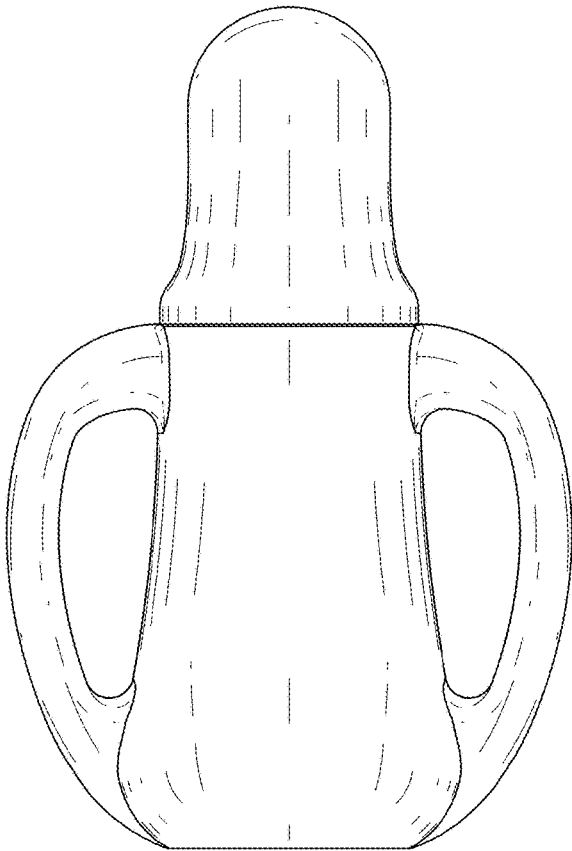


FIG. 4

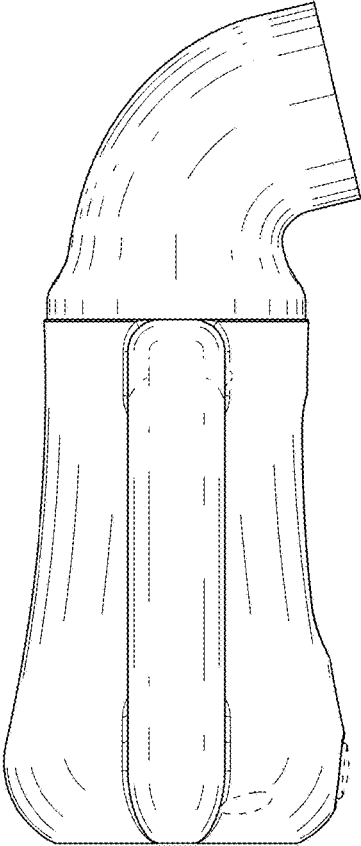


FIG. 5

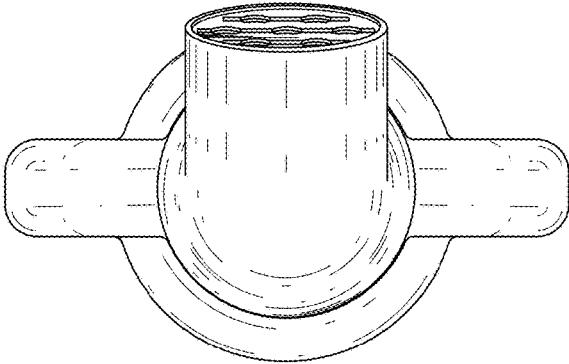


FIG. 6

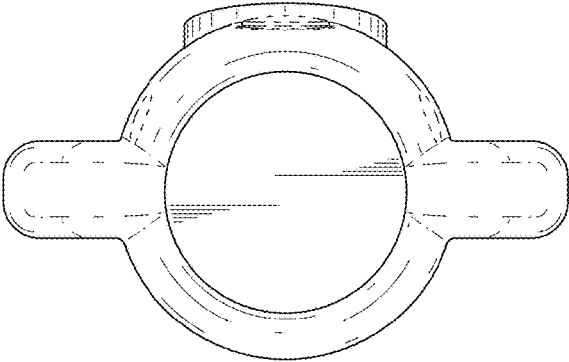


FIG. 7