

(19) World Intellectual Property Organization  
International Bureau



(43) International Publication Date  
12 September 2002 (12.09.2002)

PCT

(10) International Publication Number  
WO 02/070992 A3

(51) International Patent Classification<sup>7</sup>: G01C 21/00,  
G08G 1/0968, G01C 21/34

(21) International Application Number: PCT/US02/02875

(22) International Filing Date: 31 January 2002 (31.01.2002)

(25) Filing Language: English

(26) Publication Language: English

(30) Priority Data:  
09/798,398 2 March 2001 (02.03.2001) US

(71) Applicant: HILL-ROM SERVICES, INC. [US/US]; 300  
Delaware Avenue, Suite 530, Wilmington, DE 19801 (US).

(72) Inventor: HOOD, Michael, Scott; 51 Pine Grove Drive,  
Batesville, IN 47006 (US).

(74) Agent: NIEDNAGEL, Timothy, E.; Bose McKinney &  
Evans LLP, 2700 First Indiana Plaza, 135 North Pennsylv-  
ania Street, Indianapolis, IN 46204 (US).

(81) Designated States (national): AE, AG, AL, AM, AT, AU,  
AZ, BA, BB, BG, BR, BY, BZ, CA, CH, CN, CO, CR, CU,

CZ, DE, DK, DM, DZ, EC, EE, ES, FI, GB, GD, GE, GH,  
GM, HR, HU, ID, IL, IN, IS, JP, KE, KG, KP, KR, KZ, LC,  
LK, LR, LS, LT, LU, LV, MA, MD, MG, MK, MN, MW,  
MX, MZ, NO, NZ, OM, PH, PL, PT, RO, RU, SD, SE, SG,  
SI, SK, SL, TJ, TM, TN, TR, TT, TZ, UA, UG, UZ, VN,  
YU, ZA, ZM, ZW.

(84) Designated States (regional): ARIPO patent (GH, GM,  
KE, LS, MW, MZ, SD, SL, SZ, TZ, UG, ZM, ZW),  
Eurasian patent (AM, AZ, BY, KG, KZ, MD, RU, TJ, TM),  
European patent (AT, BE, CH, CY, DE, DK, ES, FI, FR,  
GB, GR, IE, IT, LU, MC, NL, PT, SE, TR), OAPI patent  
(BF, BJ, CF, CG, CI, CM, GA, GN, GQ, GW, ML, MR,  
NE, SN, TD, TG).

**Published:**

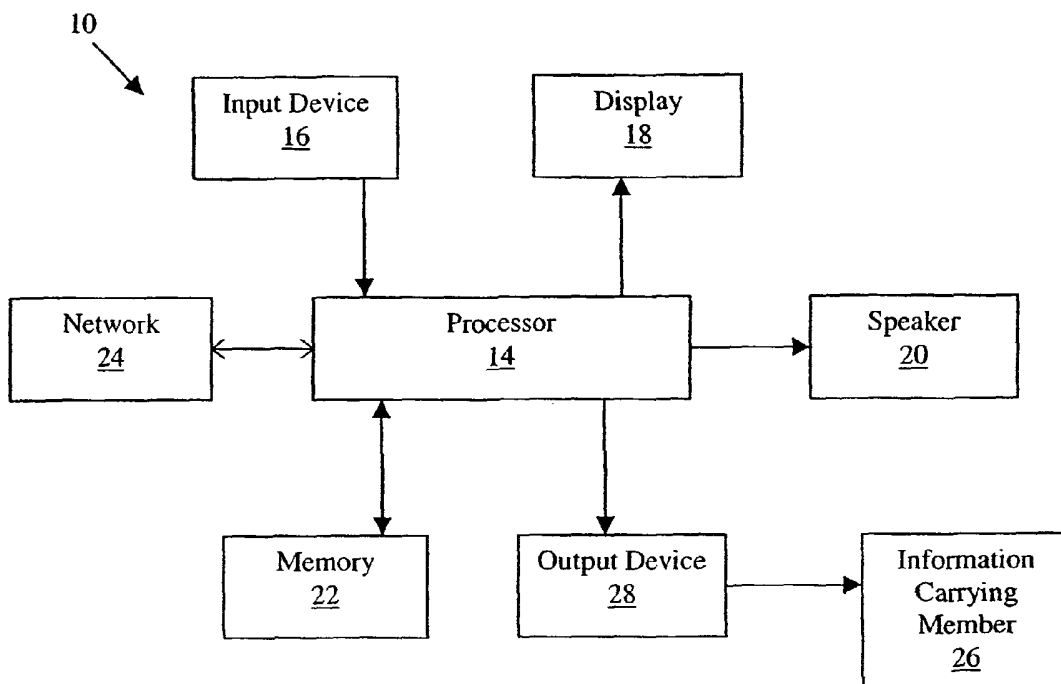
- with international search report
- before the expiration of the time limit for amending the claims and to be republished in the event of receipt of amendments

(88) Date of publication of the international search report:  
6 February 2003

(15) Information about Correction:

[Continued on next page]

(54) Title: AMBULATORY NAVIGATION SYSTEM



(57) Abstract: The present invention provides a navigation system (100) configured to direct a person (124) to a selected destination using information from an information carrying member (26, 126).



WO 02/070992 A3



**Previous Correction:**

see PCT Gazette No. 46/2002 of 14 November 2002, Section II

*For two-letter codes and other abbreviations, refer to the "Guidance Notes on Codes and Abbreviations" appearing at the beginning of each regular issue of the PCT Gazette.*

## INTERNATIONAL SEARCH REPORT

International Application No  
PCT/US 02/02875

A. CLASSIFICATION OF SUBJECT MATTER  
IPC 7 G01C21/00 G08G1/0968 G01C21/34

According to International Patent Classification (IPC) or to both national classification and IPC

## B. FIELDS SEARCHED

Minimum documentation searched (classification system followed by classification symbols)  
IPC 7 G01C G08G G07C

Documentation searched other than minimum documentation to the extent that such documents are included in the fields searched

Electronic data base consulted during the international search (name of data base and, where practical, search terms used)

EPO-Internal, WPI Data

## C. DOCUMENTS CONSIDERED TO BE RELEVANT

Category *	Citation of document, with indication, where appropriate, of the relevant passages	Relevant to claim No.
X	DE 200 06 566 U (BARTELMUS CHRISTOPH ; BUTZ ANDREAS (DE); KRUEGER ANTONIO (DE)) 17 August 2000 (2000-08-17) figure 1	1, 34, 40, 47, 48, 70
Y	---	64
Y	US 5 629 981 A (NERLIKAR VIRUPAX M) 13 May 1997 (1997-05-13) figure 1	64
A	WO 82 02271 A (SMEDEMA RUDOLPH JAN) 8 July 1982 (1982-07-08) page 2, line 37 -page 3, line 31	1-77
A	EP 0 578 374 A (NORTHERN TELECOM LTD) 12 January 1994 (1994-01-12)	

Further documents are listed in the continuation of box C.

Patent family members are listed in annex.

## \* Special categories of cited documents :

- \*A\* document defining the general state of the art which is not considered to be of particular relevance
- \*E\* earlier document but published on or after the international filing date
- \*L\* document which may throw doubts on priority claim(s) or which is cited to establish the publication date of another citation or other special reason (as specified)
- \*O\* document referring to an oral disclosure, use, exhibition or other means
- \*P\* document published prior to the international filing date but later than the priority date claimed

- \*T\* later document published after the international filing date or priority date and not in conflict with the application but cited to understand the principle or theory underlying the invention
- \*X\* document of particular relevance; the claimed invention cannot be considered novel or cannot be considered to involve an inventive step when the document is taken alone
- \*Y\* document of particular relevance; the claimed invention cannot be considered to involve an inventive step when the document is combined with one or more other such documents, such combination being obvious to a person skilled in the art.
- \*&\* document member of the same patent family

Date of the actual completion of the international search

22 November 2002

Date of mailing of the international search report

02/12/2002

Name and mailing address of the ISA  
European Patent Office, P.B. 5818 Patentlaan 2  
NL - 2280 HV Rijswijk  
Tel. (+31-70) 340-2040, Tx. 31 651 epo nl,  
Fax: (+31-70) 340-3016

Authorized officer

Créchet, P

## INTERNATIONAL SEARCH REPORT

Information on patent family members

International Application No

PCT/US 02/02875

Patent document cited in search report		Publication date	Patent family member(s)	Publication date
DE 20006566	U	17-08-2000	DE 20006566 U1	17-08-2000
			DE 20019794 U1	22-02-2001
US 5629981	A	13-05-1997	NONE	
WO 8202271	A	08-07-1982	NL 8007077 A	16-07-1982
			AU 8005882 A	20-07-1982
			EP 0067843 A1	29-12-1982
			WO 8202271 A1	08-07-1982
EP 0578374	A	12-01-1994	US 5363425 A	08-11-1994
			CA 2091393 A1	30-12-1993
			DE 69322323 D1	14-01-1999
			DE 69322323 T2	29-04-1999
			EP 0578374 A1	12-01-1994
			JP 2784623 B2	06-08-1998
			JP 6090481 A	29-03-1994