



US00D690712S

(12) **United States Design Patent**
Wenz et al.

(10) **Patent No.:** **US D690,712 S**

(45) **Date of Patent:** **** Oct. 1, 2013**

(54) **DISPLAY SCREEN WITH A GRAPHICAL INTERFACE**

(75) Inventors: **Oliver C. Wenz**, Petaluma, CA (US);
Michael J. Manning, Campbell, CA (US); **Ji hyun Kim**, Alameda, CA (US)

(73) Assignee: **Cisco Technology, Inc.**, San Jose, CA (US)

(**) Term: **14 Years**

(21) Appl. No.: **29/380,018**

(22) Filed: **Nov. 29, 2010**

(51) **LOC (9) Cl.** **14-04**

(52) **U.S. Cl.**
USPC **D14/485**

(58) **Field of Classification Search**
USPC D14/485-488, 495; D18/31-33;
D20/10, 11, 22, 23, 25, 27, 32; 715/751-753,
715/756, 758, 759
See application file for complete search history.

(56) **References Cited**

U.S. PATENT DOCUMENTS

D2,911 S *	2/1868	Gautier	D20/22
D2,945 S *	3/1868	Parker et al.	D20/23
D10,667 S *	5/1878	Ihlenburg	D18/32
3,500,335 A *	3/1970	Cuccio	358/1.1
5,375,068 A *	12/1994	Palmer et al.	709/204
5,617,539 A *	4/1997	Ludwig et al.	709/205
D388,777 S *	1/1998	Newton et al.	D14/487
D391,298 S *	2/1998	Johnson et al.	D20/10
D391,558 S *	3/1998	Marshall et al.	D14/486

(Continued)

OTHER PUBLICATIONS

Design U.S. Appl. No. 29/380,005, filed Nov. 29, 2010, entitled "Interface Element," Inventor(s): Oliver C. Wenz et al.

(Continued)

Primary Examiner — Karen E Kearney

(57) **CLAIM**

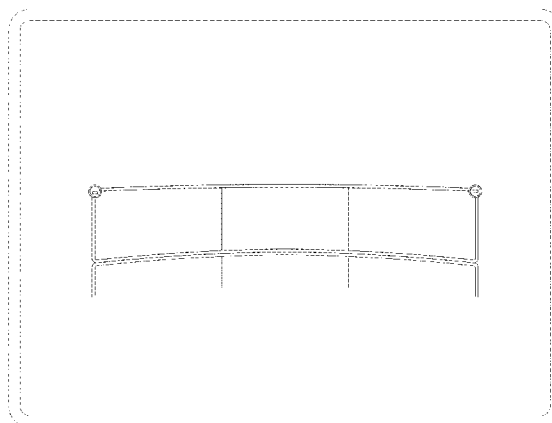
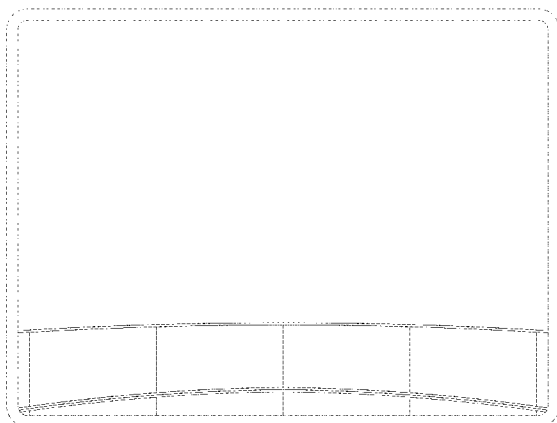
The ornamental design for a display screen with a graphical interface, as shown and described.

DESCRIPTION

FIG. 1 is a perspective view illustrating a display screen with a graphical interface according to one embodiment; FIG. 2 is a front view thereof; FIG. 3 is a perspective view illustrating a display screen with a graphical interface according to a second embodiment; FIG. 4 is a front view thereof; FIG. 5 is a perspective view of the second embodiment, shown in a different placement in the environment; FIG. 6 is a front view thereof; FIG. 7 is a perspective view illustrating a display screen with a graphical interface according to a third embodiment; FIG. 8 is a front view thereof; FIG. 9 is a perspective view illustrating a display screen with a graphical interface according to a fourth embodiment; FIG. 10 is a front view thereof; FIG. 11 is a perspective view of the fourth embodiment, shown in a different placement in the environment; FIG. 12 is a front view thereof; FIG. 13 is a perspective view illustrating a display screen with a graphical interface according to a fifth embodiment; FIG. 14 is a front view thereof; FIG. 15 is a perspective view illustrating a display screen with a graphical interface according to a sixth embodiment; FIG. 16 is a front view thereof; FIG. 17 is a perspective view of the sixth embodiment, shown in a different placement in the environment; and, FIG. 18 is a front view thereof.

The broken line showings of the display screen in all of the figures and of the rectangles in FIGS. 1-6 and 13-18 are included for the purpose of illustrating environmental structure and portions of the display screen with a graphical interface. The broken lines form no part of the claimed design.

1 Claim, 18 Drawing Sheets



(56)

References Cited

U.S. PATENT DOCUMENTS

D428,614 S * 7/2000 Hwang et al. D14/495
 D430,120 S * 8/2000 Yasui et al. D14/488
 D437,858 S * 2/2001 Yasui et al. D14/486
 D439,585 S * 3/2001 Law et al. D14/487
 D440,575 S * 4/2001 Wang et al. D14/489
 D450,710 S * 11/2001 Yoshioka D14/486
 D458,611 S * 6/2002 Gallo D14/485
 D470,153 S * 2/2003 Billmaier et al. D14/486
 D490,439 S * 5/2004 Kates et al. D14/486
 D492,694 S * 7/2004 Kates et al. D14/486
 D494,603 S * 8/2004 Kates et al. D14/486
 6,819,344 B2 * 11/2004 Robbins 715/848
 D500,788 S * 1/2005 Kaplan D19/8
 6,901,299 B1 * 5/2005 Whitehead et al. 700/22
 D506,472 S * 6/2005 Tyner et al. D14/486
 6,907,447 B1 * 6/2005 Cooperman et al. 709/203
 D507,576 S * 7/2005 Hally et al. D14/486
 7,013,429 B2 * 3/2006 Fujimoto et al. 715/752
 7,124,164 B1 * 10/2006 Chemtob 709/204
 D537,834 S * 3/2007 Agarwal et al. D14/486
 D541,291 S * 4/2007 Zhou et al. D14/486
 D545,834 S * 7/2007 Anthony et al. D14/488
 D545,835 S * 7/2007 Anthony et al. D14/488
 D546,343 S * 7/2007 Anthony et al. D14/488
 7,243,299 B1 * 7/2007 Rubin et al. 715/209
 D548,743 S * 8/2007 Takahashi et al. D14/486
 D549,713 S * 8/2007 Lewin et al. D14/485
 D552,115 S * 10/2007 Suzuki D14/485
 D554,652 S * 11/2007 Shen et al. D14/485
 7,305,436 B2 * 12/2007 Willis 709/204
 D561,197 S * 2/2008 Okaro et al. D14/495
 D562,838 S * 2/2008 Salunkhe D14/487
 D563,968 S * 3/2008 Lewin et al. D14/485
 7,343,561 B1 * 3/2008 Stochosky et al. 715/758
 7,360,172 B2 * 4/2008 Grossman et al. 715/839
 D568,329 S * 5/2008 Park et al. D14/486
 D569,872 S * 5/2008 Suzuki D14/485
 D570,859 S * 6/2008 Hsiao et al. D14/486
 7,386,784 B2 * 6/2008 Capps et al. 715/203
 7,386,798 B1 * 6/2008 Heikes et al. 715/752
 D580,942 S * 11/2008 Oshiro et al. D14/485
 7,464,137 B2 * 12/2008 Zhu et al. 709/204
 D586,359 S * 2/2009 Makoski et al. D14/486
 7,496,499 B2 * 2/2009 Asada 704/8
 D593,571 S * 6/2009 Ball et al. D14/485
 D594,467 S * 6/2009 Kase D14/488
 7,577,913 B1 * 8/2009 Donoho 715/757
 D600,249 S * 9/2009 Nagata et al. D14/486
 D600,711 S * 9/2009 LaManna et al. D14/492
 D601,582 S * 10/2009 Chaudhri et al. D14/495
 D603,420 S * 11/2009 Channell D14/487
 D604,322 S * 11/2009 Hoefnagels D14/488
 D604,742 S * 11/2009 Nagata et al. D14/486
 D605,199 S * 12/2009 Nagata et al. D14/486
 D614,191 S * 4/2010 Takano et al. D14/486
 D624,930 S * 10/2010 Agnetta et al. D14/487

D630,224 S * 1/2011 Allen D14/485
 7,865,834 B1 * 1/2011 van Os et al. 715/756
 D633,921 S * 3/2011 Brinda D14/488
 D636,401 S * 4/2011 Vance et al. D14/486
 D637,605 S * 5/2011 Brinda D14/488
 D638,432 S * 5/2011 Flik et al. D14/486
 D642,586 S * 8/2011 Jones et al. D14/485
 D648,741 S * 11/2011 Lemay D14/493
 D652,840 S * 1/2012 Morsa D14/487
 D656,507 S * 3/2012 Jones et al. D14/485
 D660,864 S * 5/2012 Anzures et al. D14/486
 2001/0028369 A1 * 10/2001 Gallo et al. 345/848
 2003/0061285 A1 * 3/2003 Usui et al. 709/205
 2003/0090474 A1 * 5/2003 Schaefer 345/173
 2004/0064510 A1 * 4/2004 Ooi et al. 709/205
 2004/0080534 A1 * 4/2004 Quach 345/751
 2005/0166154 A1 * 7/2005 Wilson et al. 715/751
 2005/0262542 A1 * 11/2005 DeWeese et al. 725/106
 2007/0192728 A1 * 8/2007 Finley et al. 715/782
 2007/0300164 A1 * 12/2007 Bhogal et al. 715/753
 2008/0244419 A1 * 10/2008 Kurpick et al. 715/756
 2009/0037827 A1 * 2/2009 Bennetts 715/753
 2009/0089683 A1 * 4/2009 Thapa 715/756
 2009/0157709 A1 * 6/2009 Kruger et al. 707/100
 2009/0177975 A1 * 7/2009 Elgar et al. 715/751
 2009/0234721 A1 * 9/2009 Bigelow et al. 705/12
 2009/0254843 A1 * 10/2009 Van Wie et al. 715/757
 2010/0073454 A1 * 3/2010 Lovhaugen et al. 348/14.03
 2010/0122183 A1 * 5/2010 Babaian et al. 715/752
 2011/0035687 A1 * 2/2011 Katis et al. 715/758
 2011/0320044 A1 * 12/2011 Smith et al. 700/276

OTHER PUBLICATIONS

Design U.S. Appl. No. 29/380,007, filed Nov. 29, 2010, entitled "Interface Element," Inventor(s): Oliver C. Wenz et al.
 Design U.S. Appl. No. 29/380,008, filed Nov. 29, 2010, entitled "Interface Element," Inventor(s): Oliver C. Wenz et al.
 Design U.S. Appl. No. 29/380,011, filed Nov. 29, 2010, entitled "Interface Element," Inventor(s): Oliver C. Wenz et al.
 Design U.S. Appl. No. 29/380,012, filed Nov. 29, 2010, entitled "Interface Element," Inventor(s): Oliver C. Wenz et al.
 Design U.S. Appl. No. 29/380,014, filed Nov. 29, 2010, entitled "Interface Element," Inventor(s): Oliver C. Wenz et al.
 Design U.S. Appl. No. 29/380,017, filed Nov. 29, 2010, entitled "Interface Element," Inventor(s): Oliver C. Wenz et al.
 Design U.S. Appl. No. 29/380,019, filed Nov. 29, 2010, entitled "Interface Element," Inventor(s): Oliver C. Wenz et al.
 Design U.S. Appl. No. 29/380,021, filed Nov. 29, 2010, entitled "Interface Element," Inventor(s): Oliver C. Wenz et al.
 Design U.S. Appl. No. 29/380,022, filed Nov. 29, 2010, entitled "Interface Element," Inventor(s): Oliver C. Wenz et al.
 Design U.S. Appl. No. 29/380,023, filed Nov. 29, 2010, entitled "Interface Element," Inventor(s): Oliver C. Wenz et al.
 Vizard, Mike, "Intel CEO Demos Video Conferencing on a Smartphone," CTO Edge, Jan. 8, 2010; 2 pages; <http://www.ctoedge.com/content/intel-ceo-demos-video-conferencing-smartphone>.

* cited by examiner

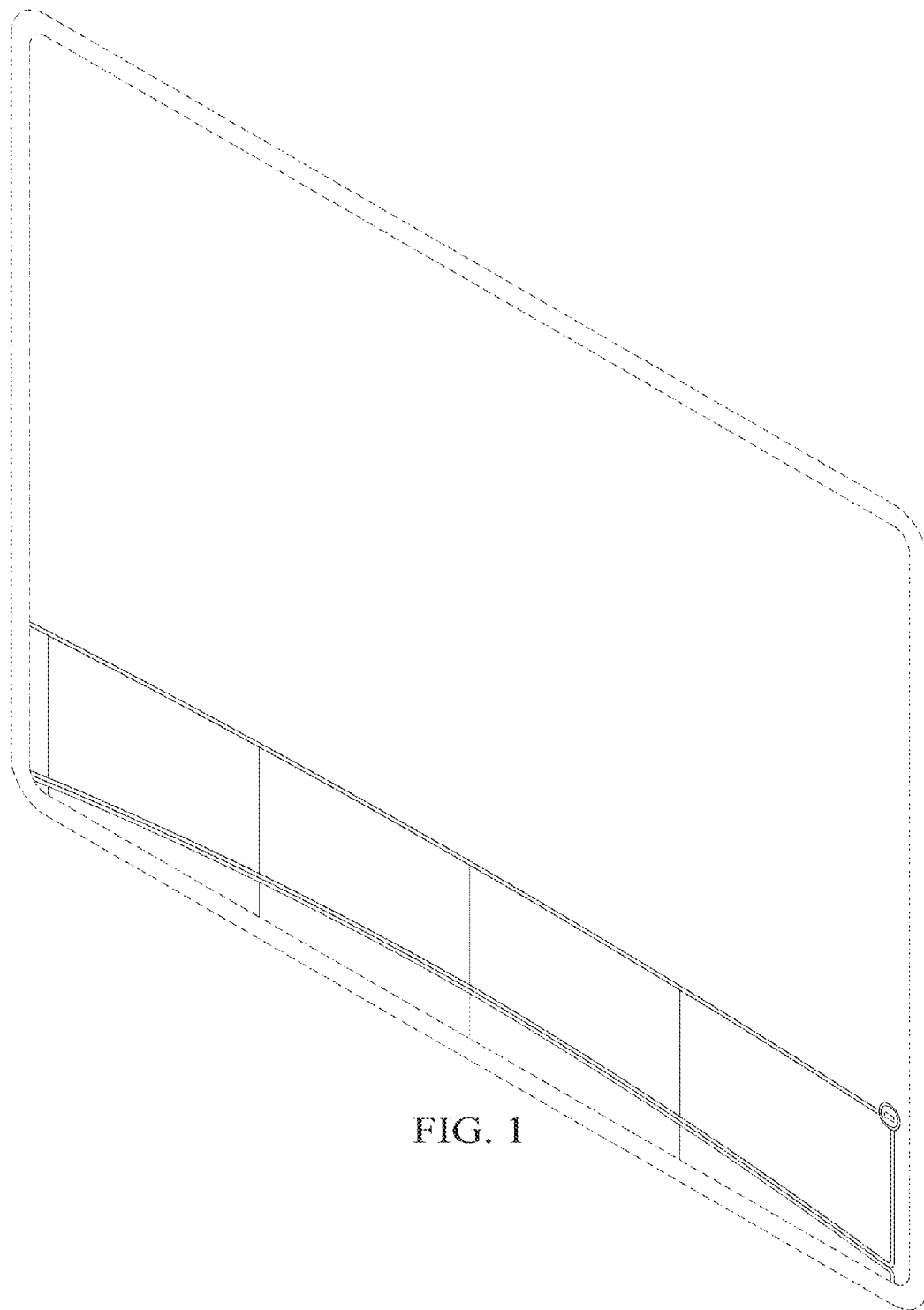


FIG. 1

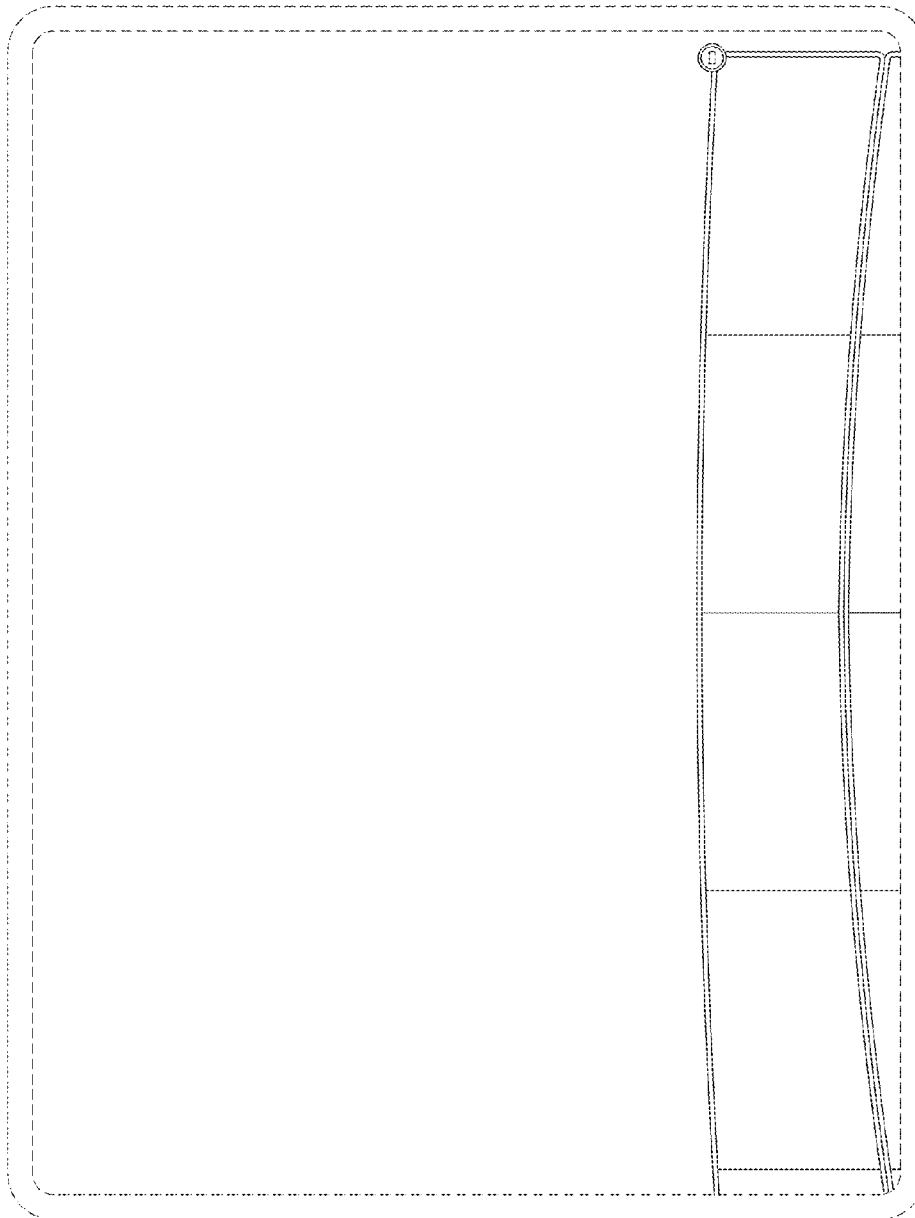


FIG. 2

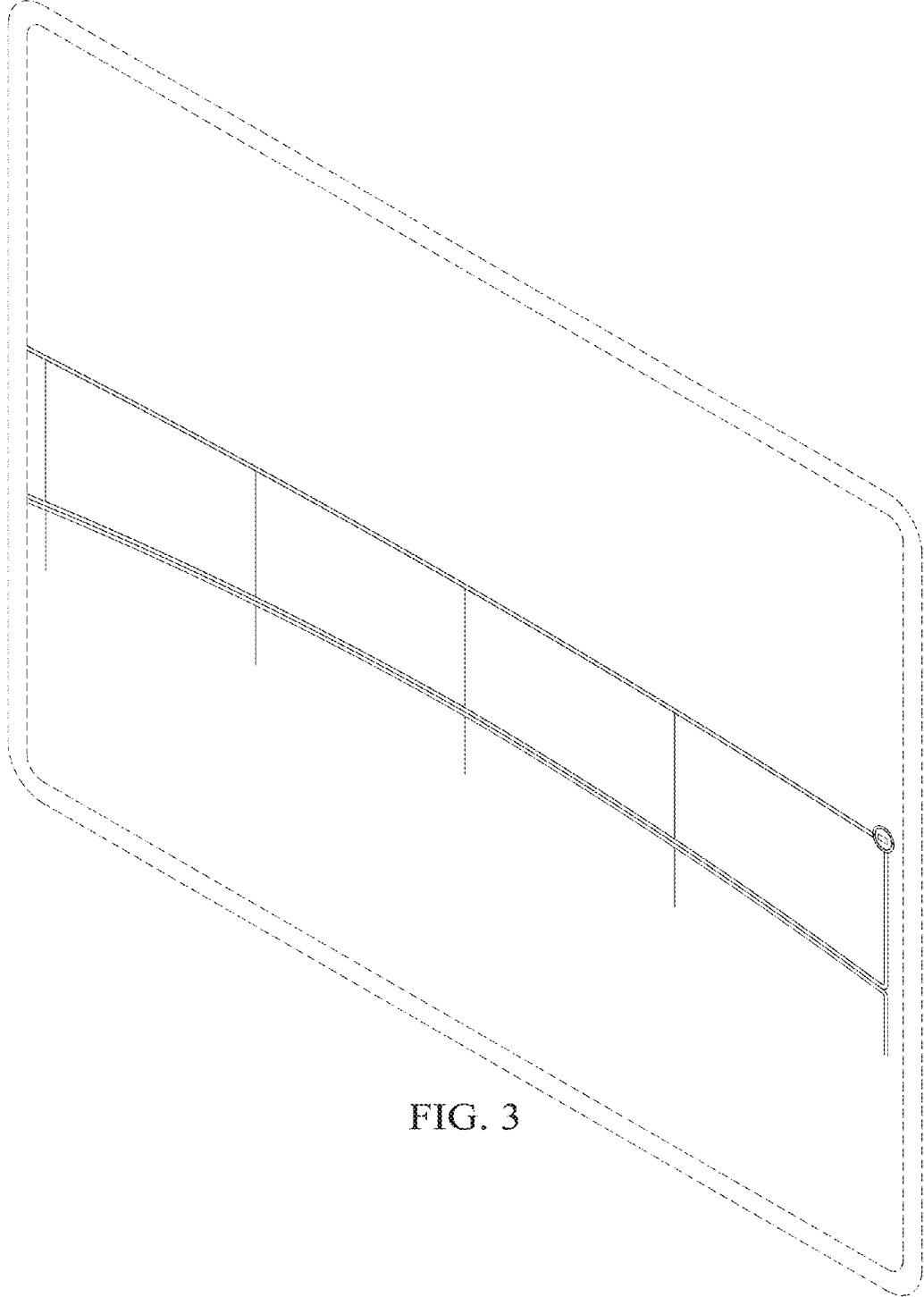


FIG. 3

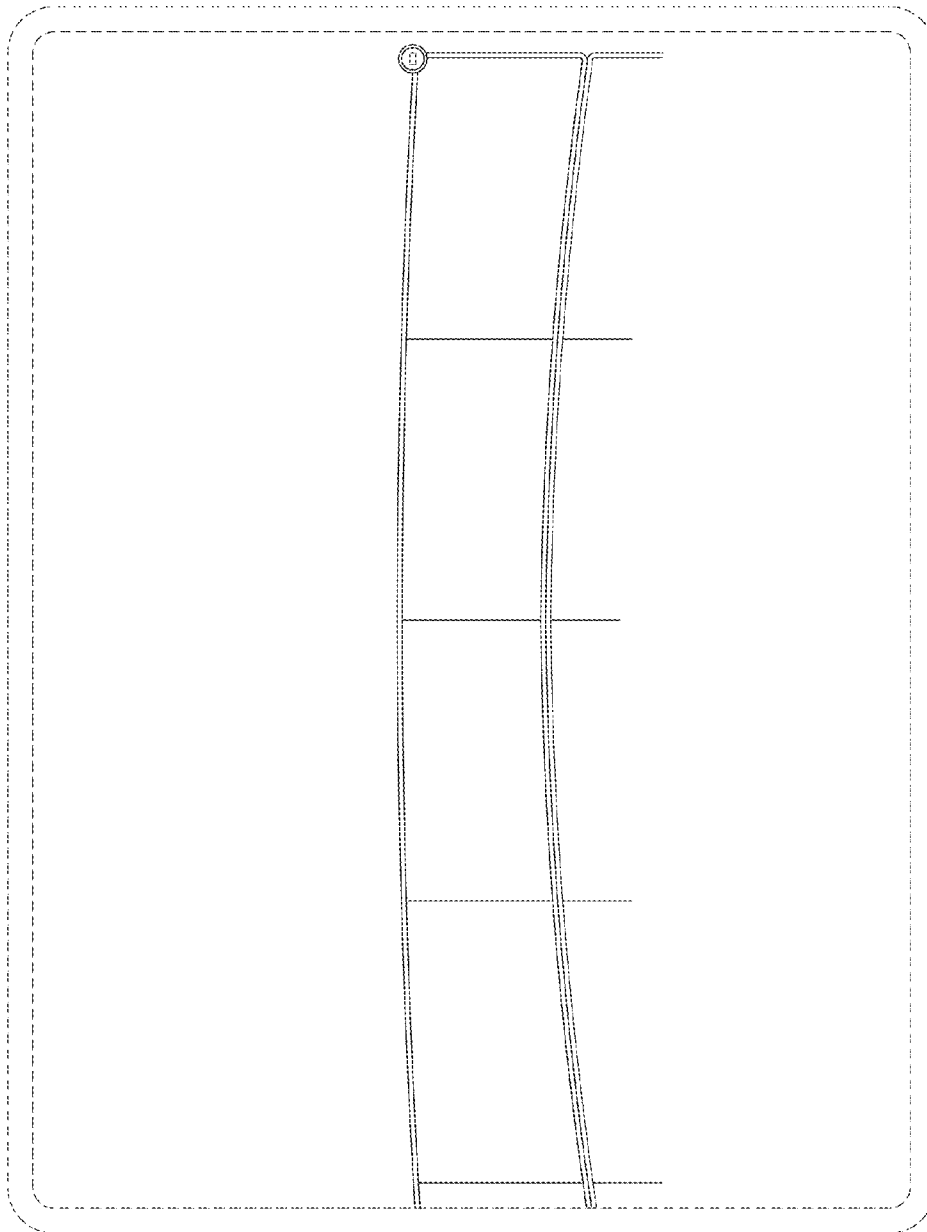


FIG. 4

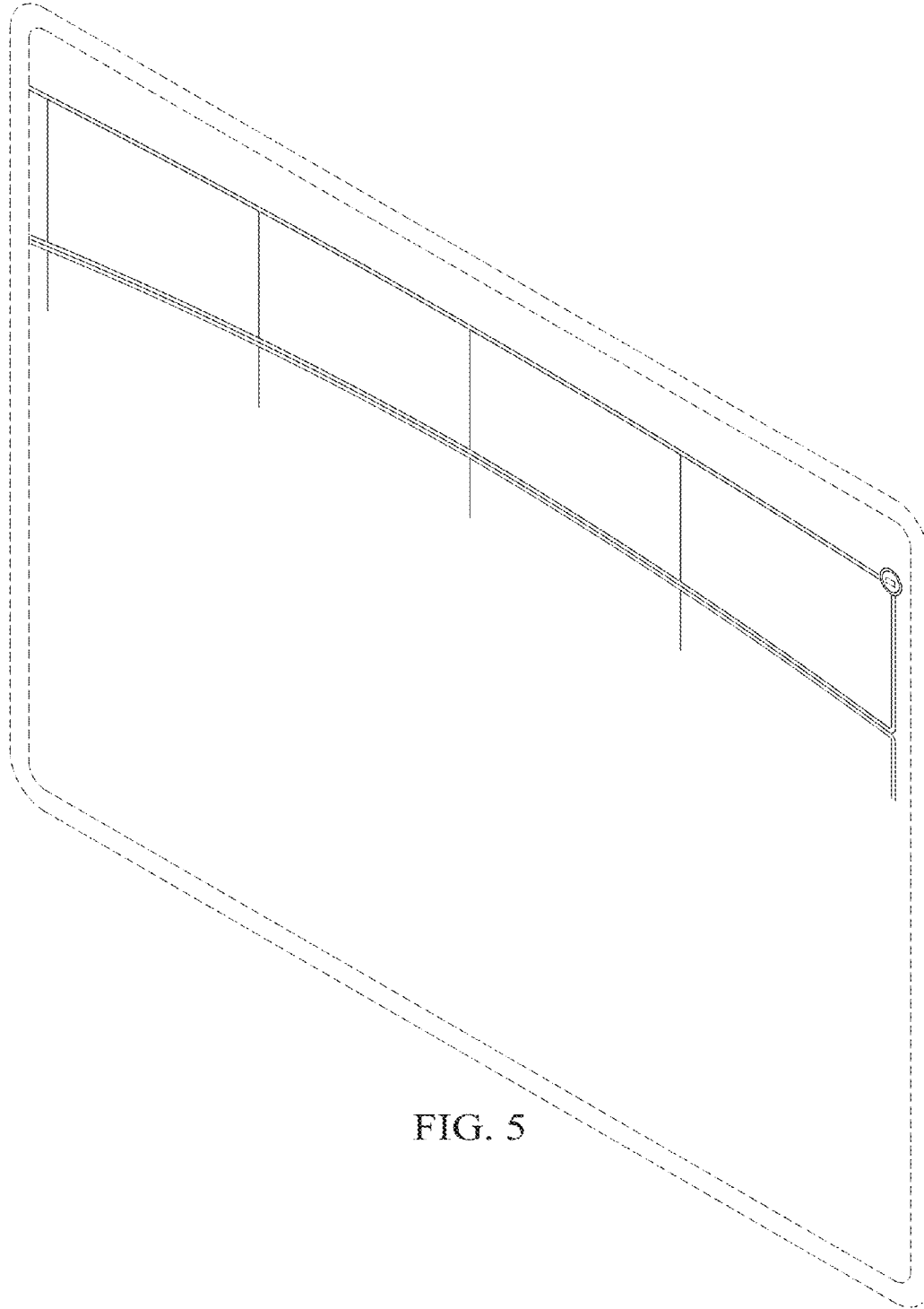


FIG. 5

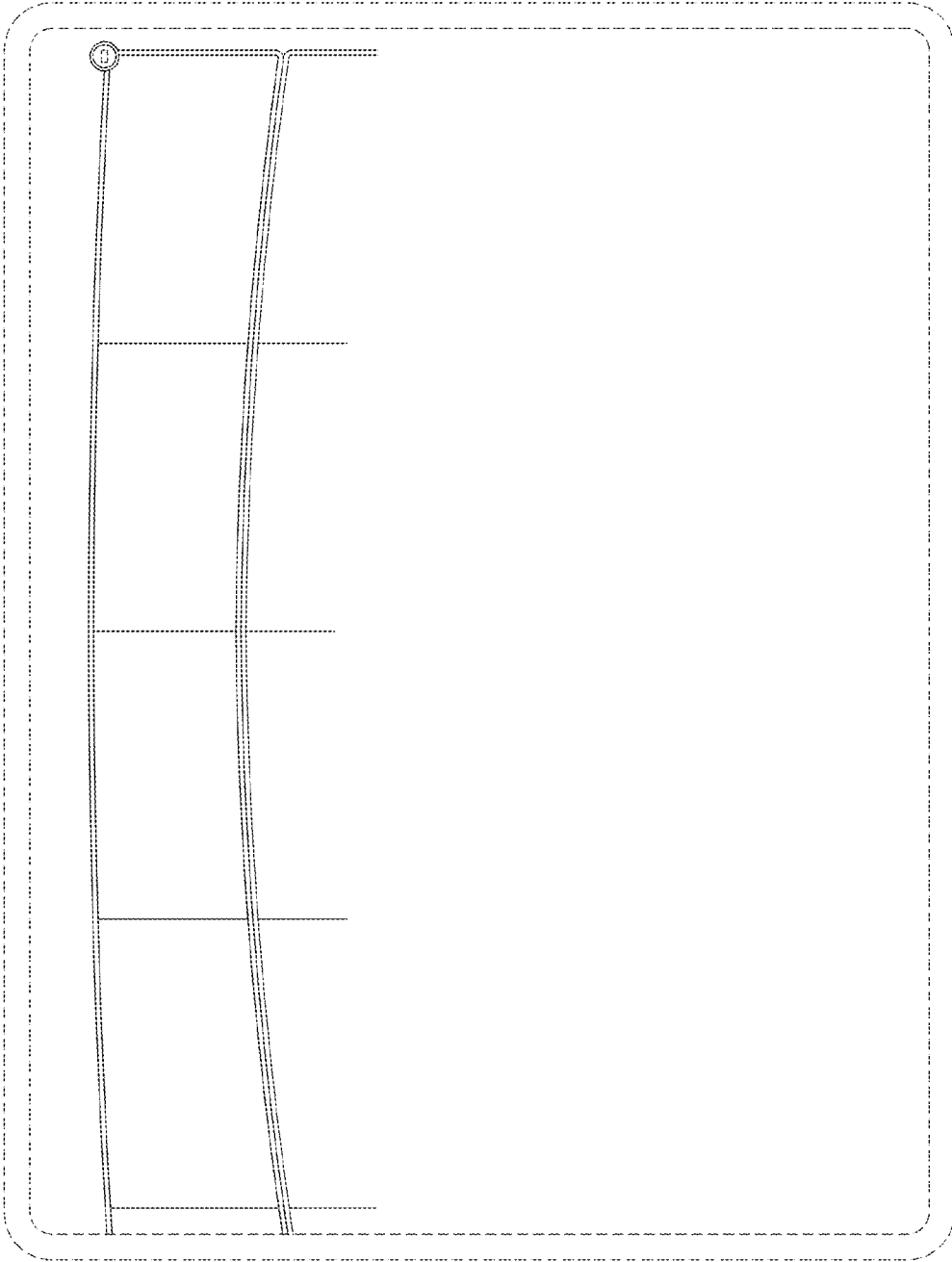


FIG. 6

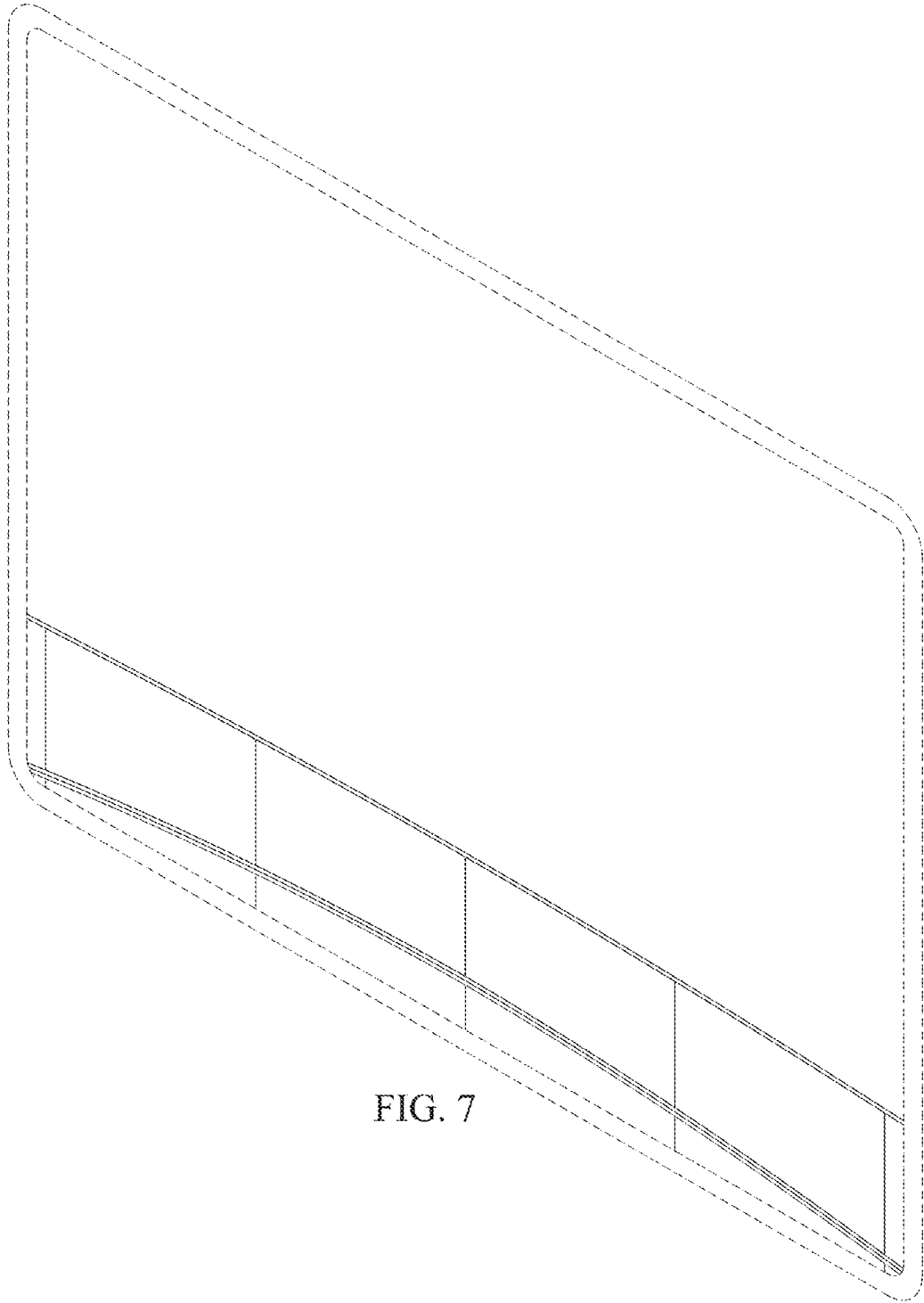


FIG. 7

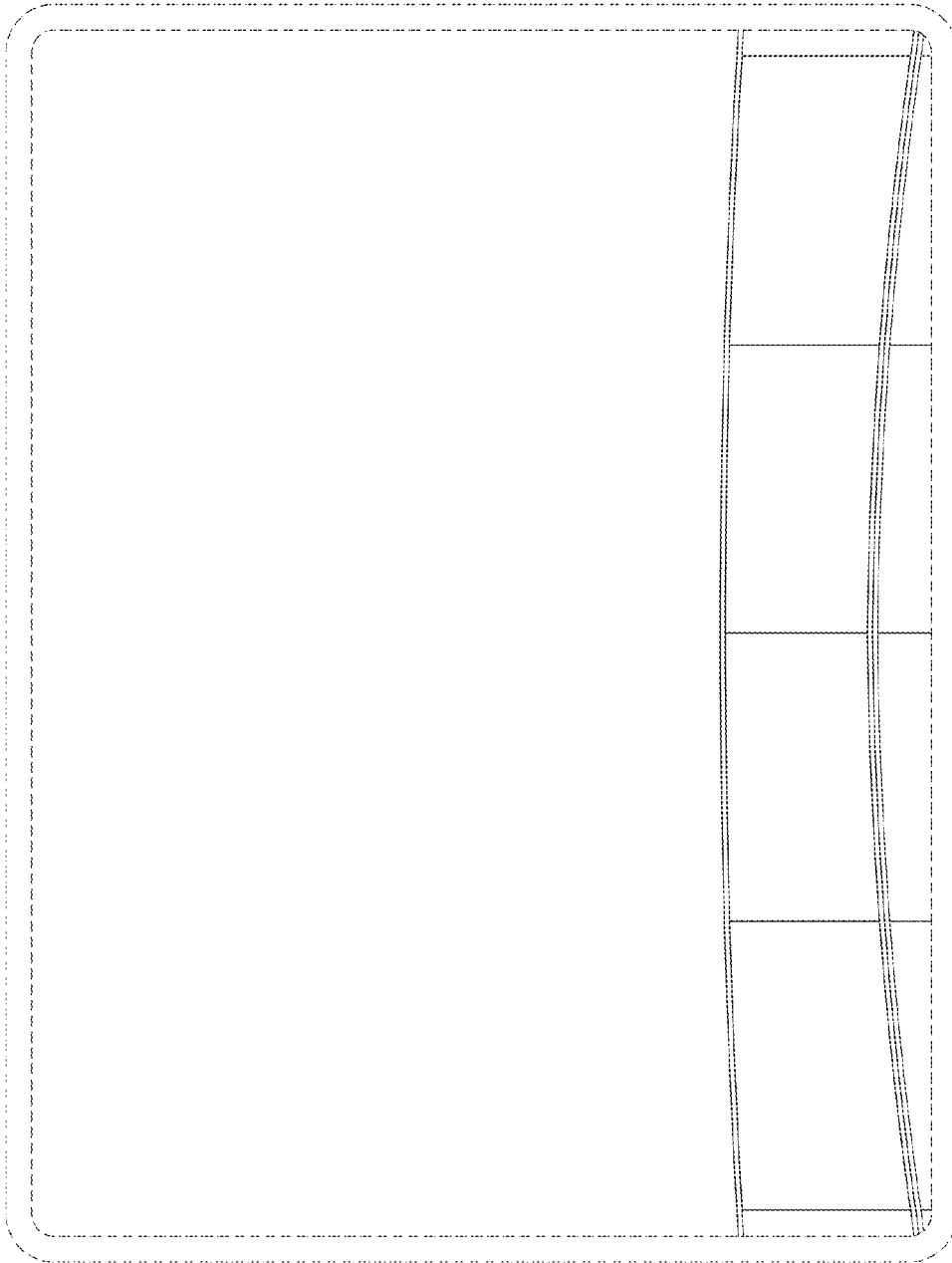


FIG. 8

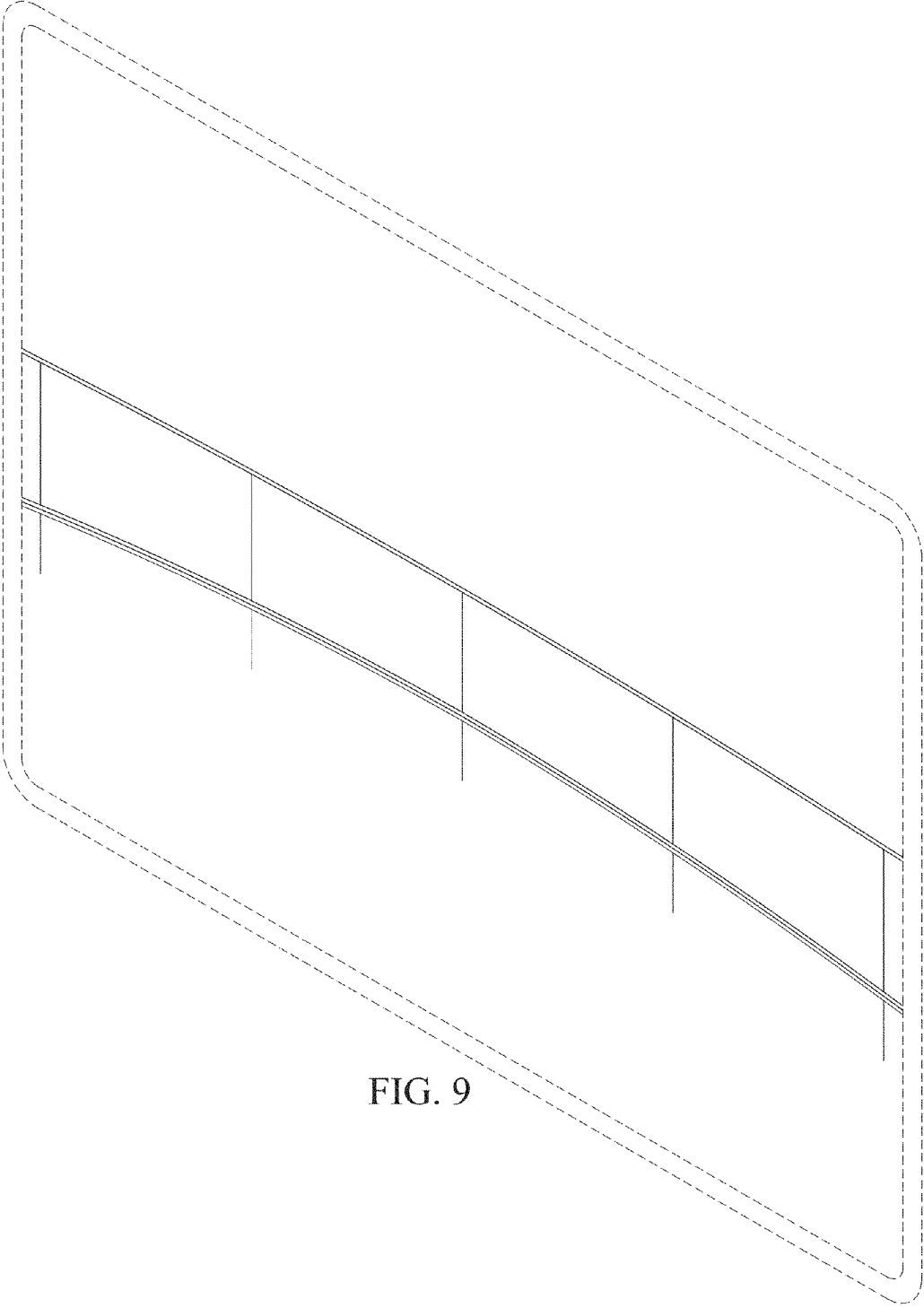


FIG. 9

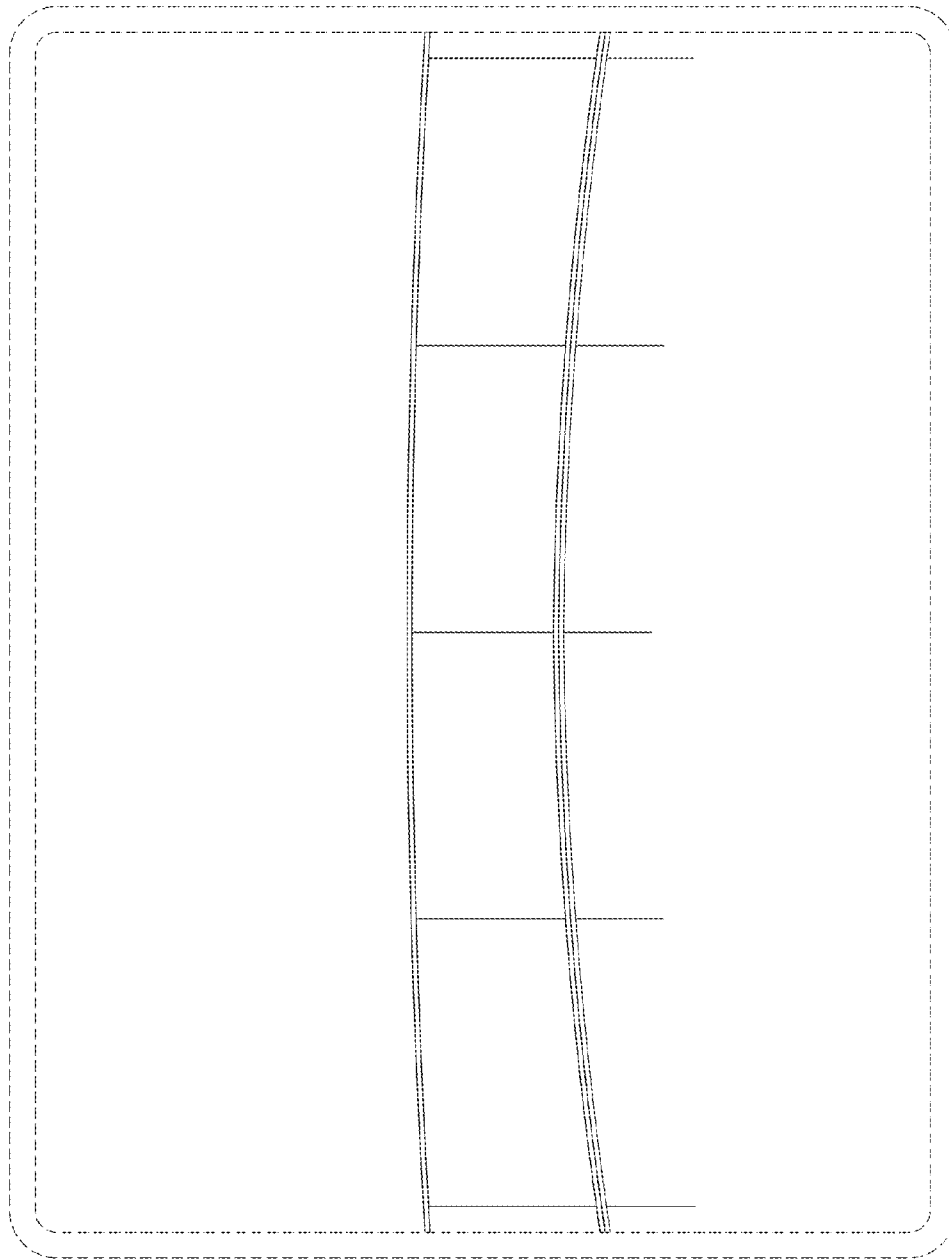


FIG. 10

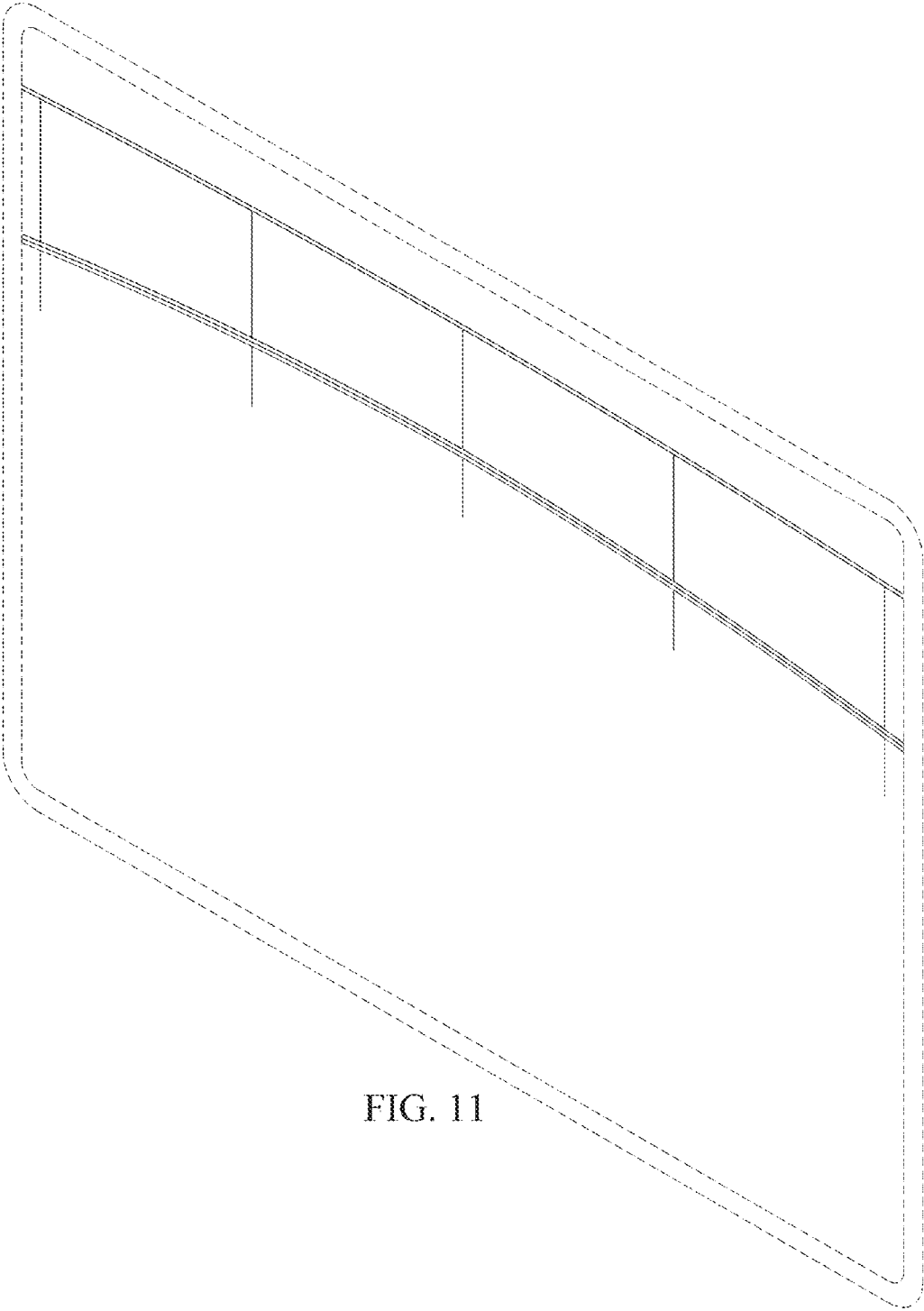


FIG. 11

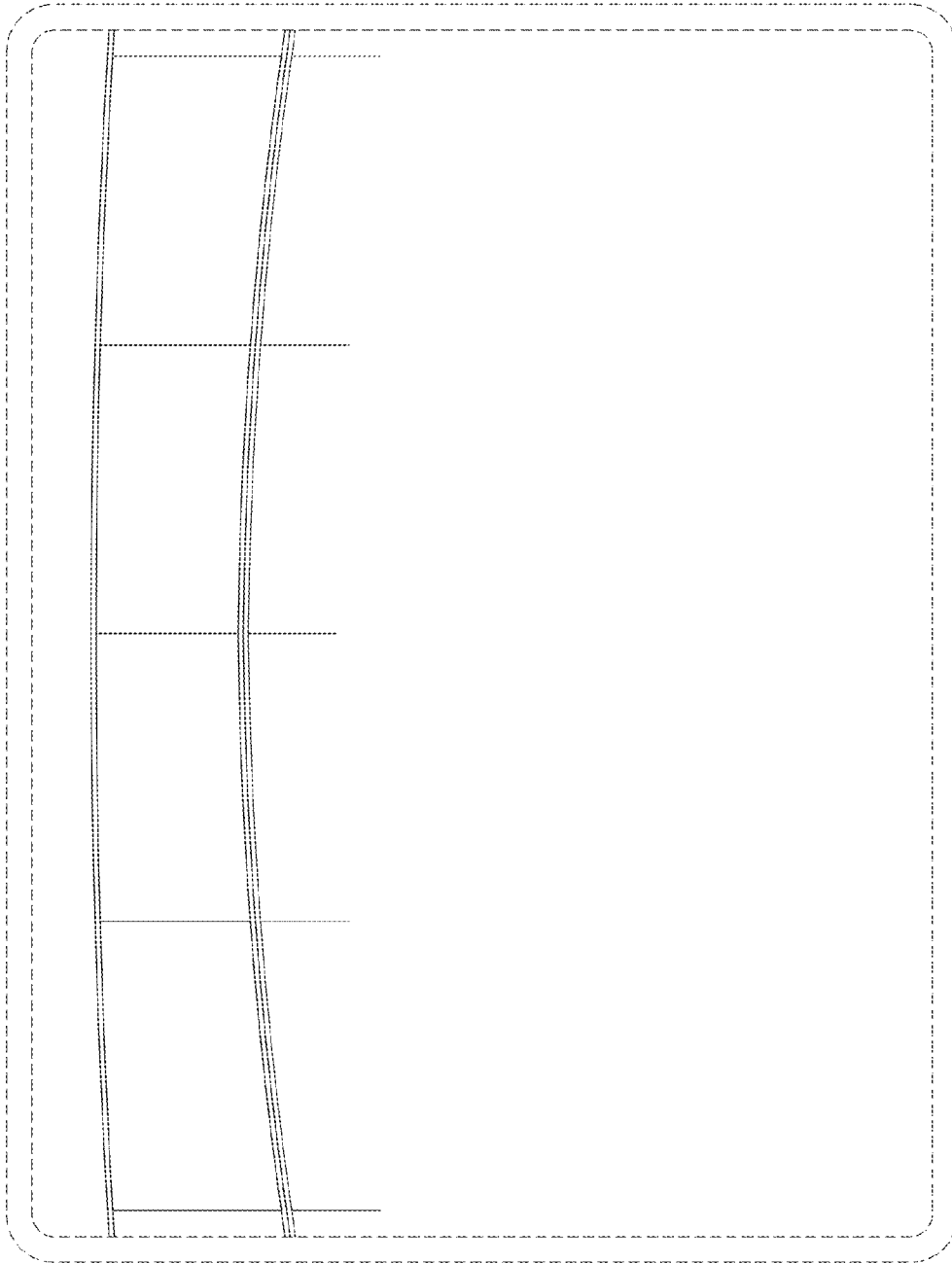


FIG. 12

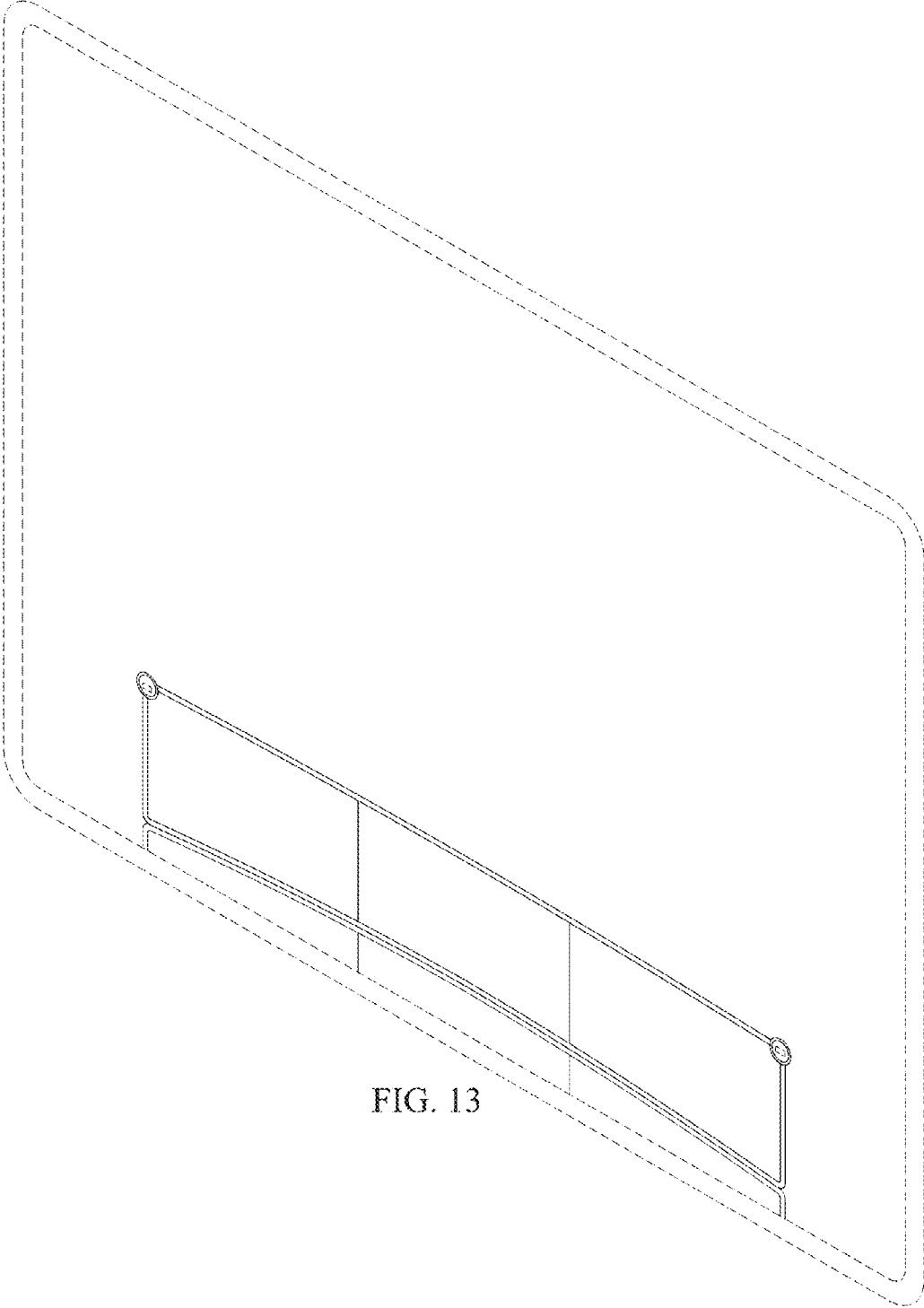


FIG. 13

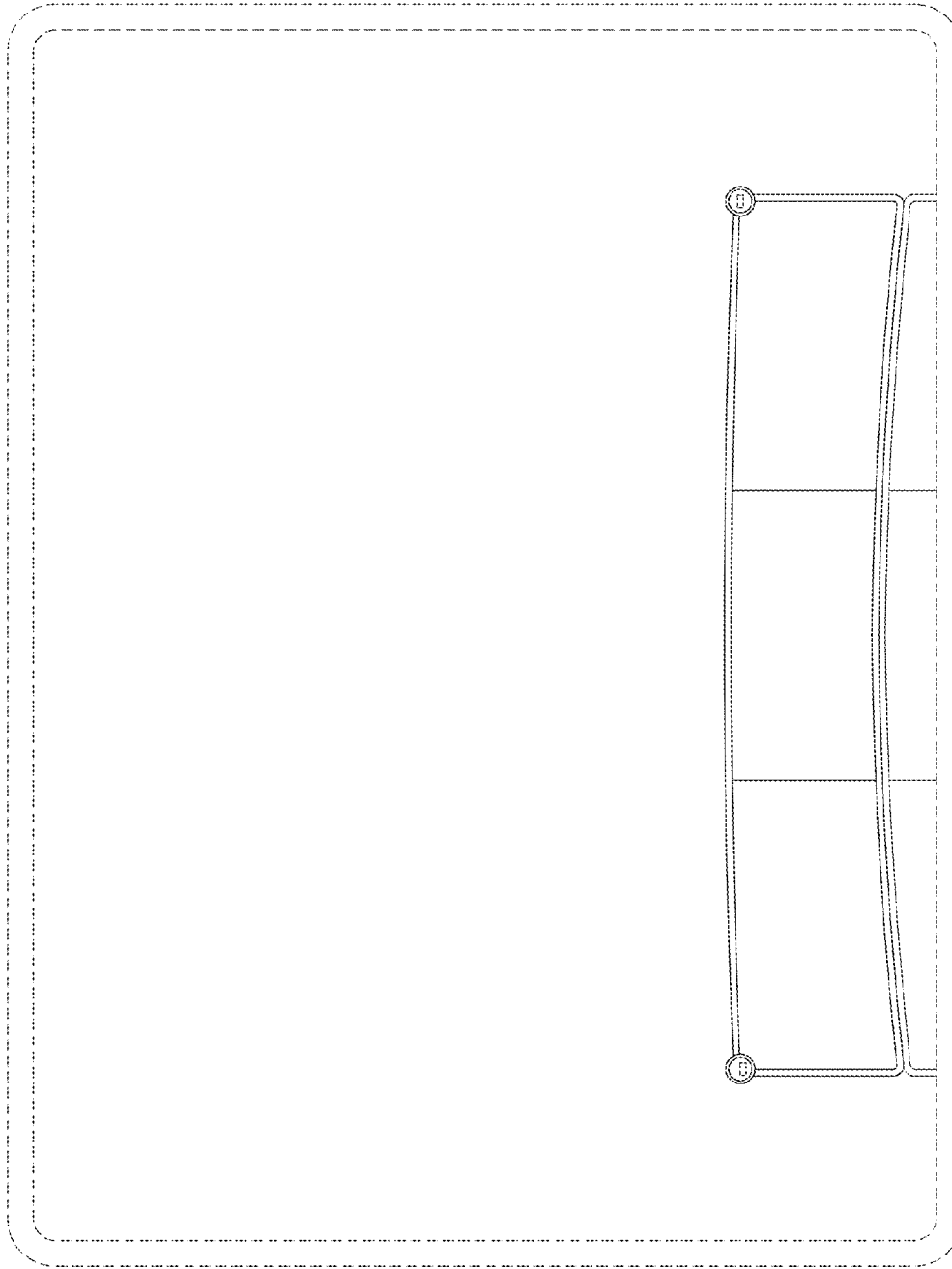


FIG. 14

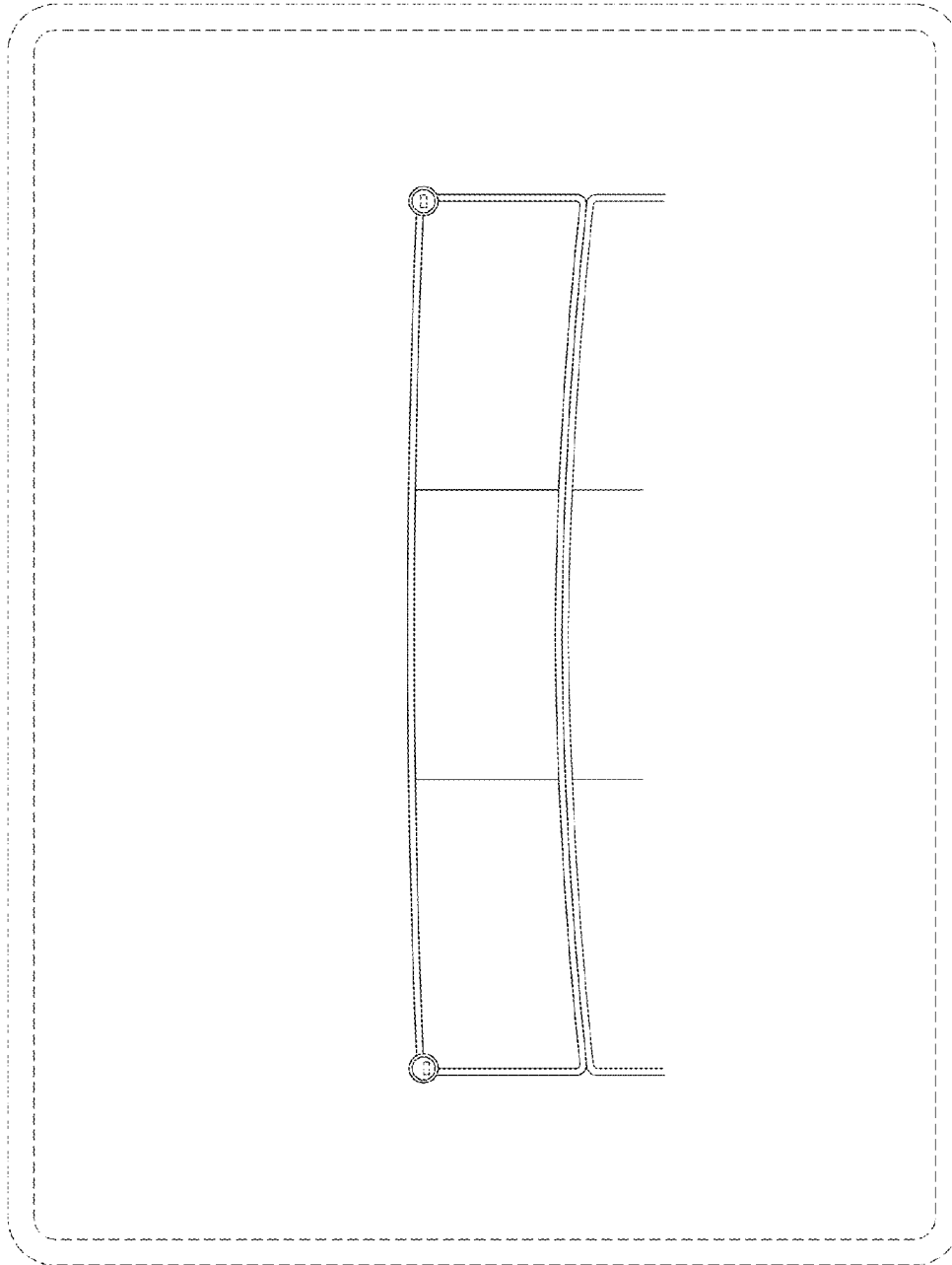


FIG. 16

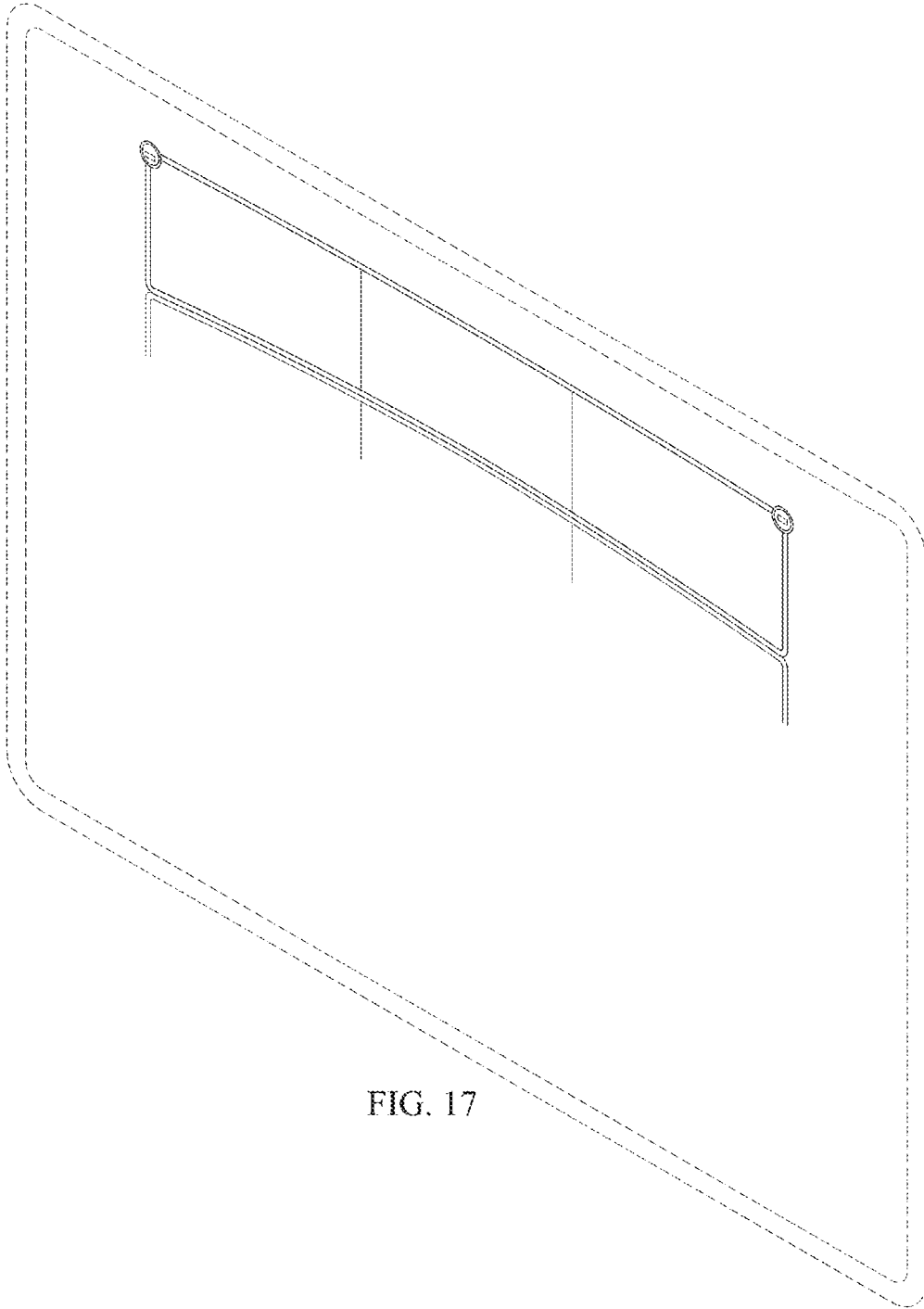


FIG. 17

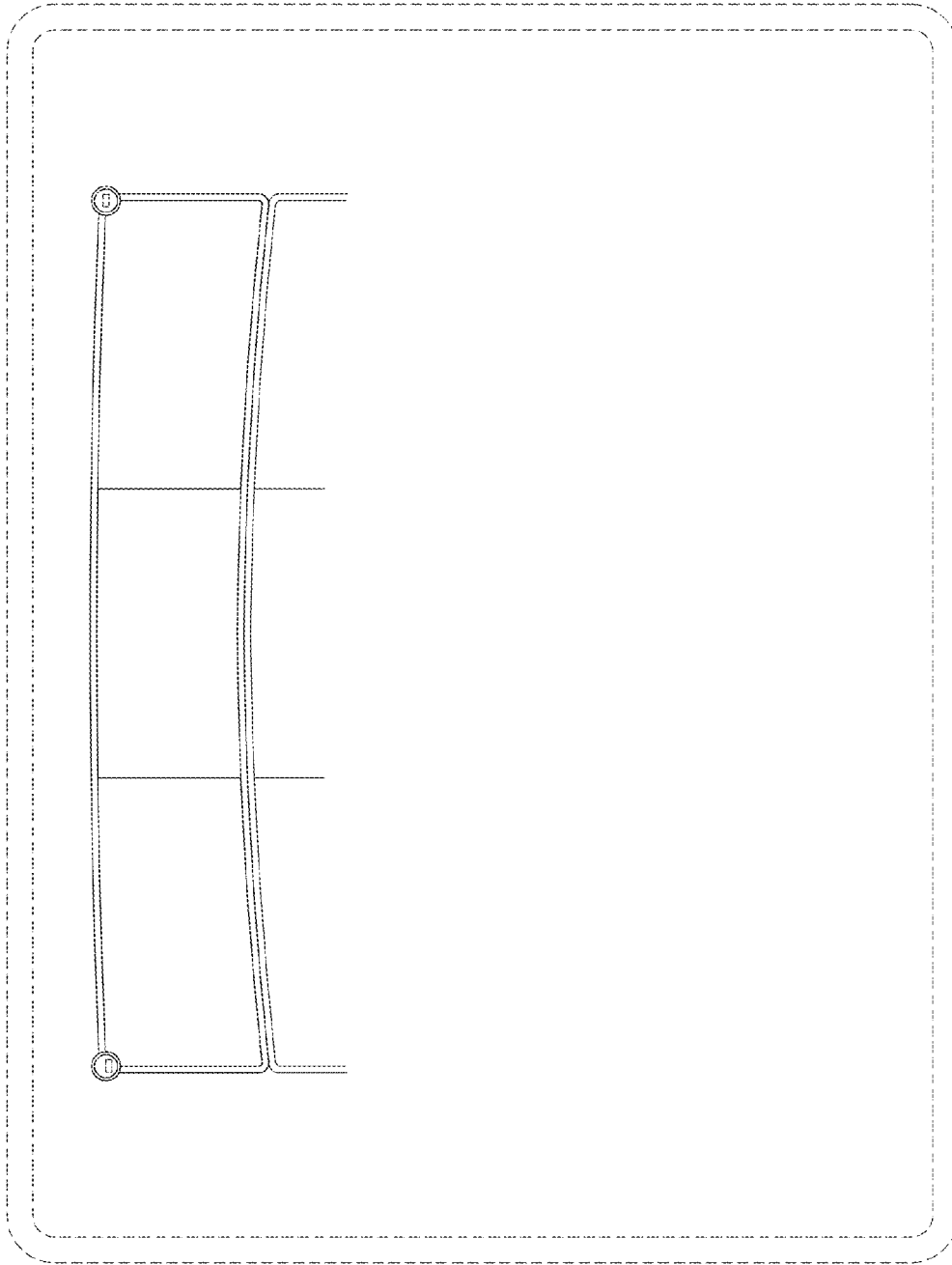


FIG. 18