



US00D735923S

(12) **United States Design Patent**  
**Helms et al.**

(10) **Patent No.:** **US D735,923 S**

(45) **Date of Patent:** **\*\* Aug. 4, 2015**

(54) **LIGHTING FIXTURE**

(71) Applicant: **ClaroLux, L.L.C.**, Greensboro, NC  
(US)

(72) Inventors: **Brandon Lowry Helms**, Cornelius, NC  
(US); **Robert Brian Groat**, Greensboro,  
NC (US)

(73) Assignee: **ClaroLux, L.L.C.**, Greensboro, NC  
(US)

(\*\*) Term: **14 Years**

(21) Appl. No.: **29/452,557**

(22) Filed: **Apr. 18, 2013**

(51) **LOC (10) Cl.** ..... **26-05**

(52) **U.S. Cl.**  
USPC ..... **D26/63; D26/67**

(58) **Field of Classification Search**  
USPC ..... D26/60, 61, 63, 65, 67, 68, 107;  
362/427, 431  
CPC ..... F21V 21/0824; F21S 6/003  
See application file for complete search history.

(56) **References Cited**

**U.S. PATENT DOCUMENTS**

3,270,192	A	*	8/1966	Watson	.....	362/293
5,562,341	A	*	10/1996	Strauss	.....	362/659
D414,579	S	*	9/1999	Denison et al.	.....	D26/68
D473,668	S	*	4/2003	Hille et al.	.....	D26/63

D473,669	S	*	4/2003	Hille et al.	.....	D26/63
6,612,720	B1	*	9/2003	Beadle	.....	362/287
D495,079	S	*	8/2004	Mullen	.....	D26/63
D519,662	S	*	4/2006	Mullen	.....	D26/61
7,063,553	B1	*	6/2006	Mullen	.....	439/336
D659,871	S	*	5/2012	Lee et al.	.....	D26/63
D667,981	S	*	9/2012	Connolly et al.	.....	D26/63
8,360,621	B2	*	1/2013	Avila et al.	.....	362/419
D698,058	S	*	1/2014	Rashidi	.....	D26/63
D713,579	S	*	9/2014	Chen	.....	D26/63
D723,726	S	*	3/2015	Reed et al.	.....	D26/63

\* cited by examiner

*Primary Examiner* — Clare E Heflin

(74) *Attorney, Agent, or Firm* — Michael G. Johnston;  
Moore & Van Allen PLLC

(57) **CLAIM**

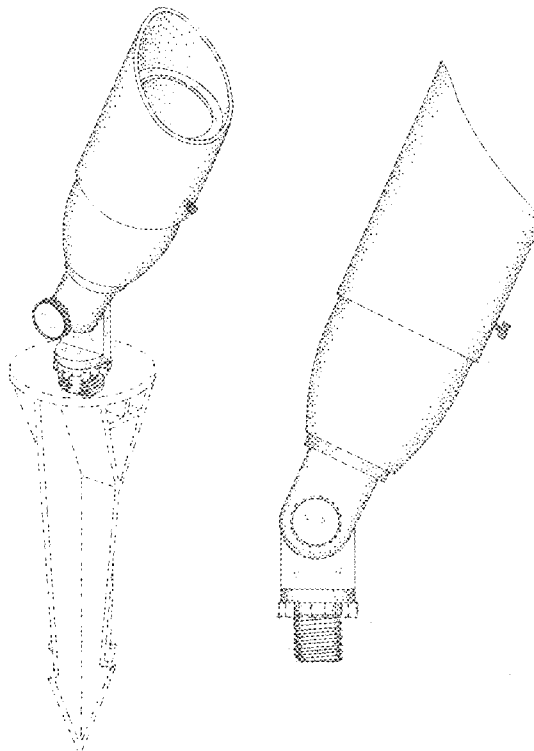
The ornamental design for a lighting fixture, as shown and described.

**DESCRIPTION**

FIG. 1 is a front perspective view of a lighting fixture showing our new design;  
FIG. 2 is a right side elevation view thereof;  
FIG. 3 is a left side elevation view thereof;  
FIG. 4 is a front elevation view thereof;  
FIG. 5 is a rear elevation view thereof;  
FIG. 6 is a top plan view thereof; and,  
FIG. 7 is a bottom plan view thereof.

The portions shown in broken lines are not part of the claimed design but show the environment in which the design is associated.

**1 Claim, 5 Drawing Sheets**



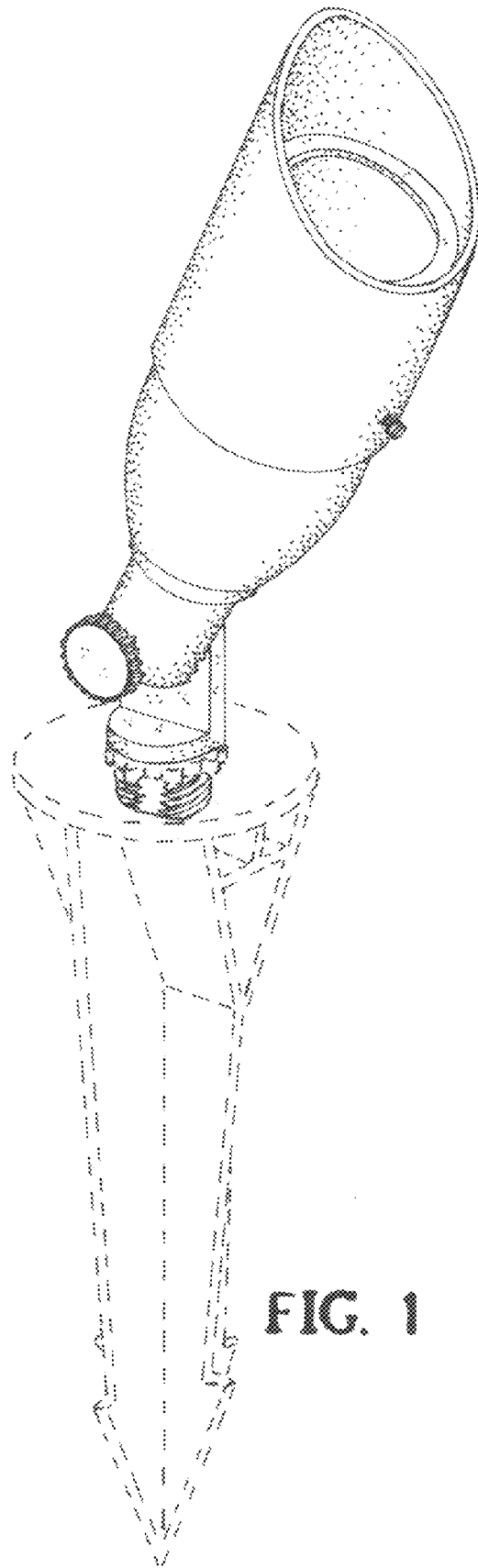


FIG. 1

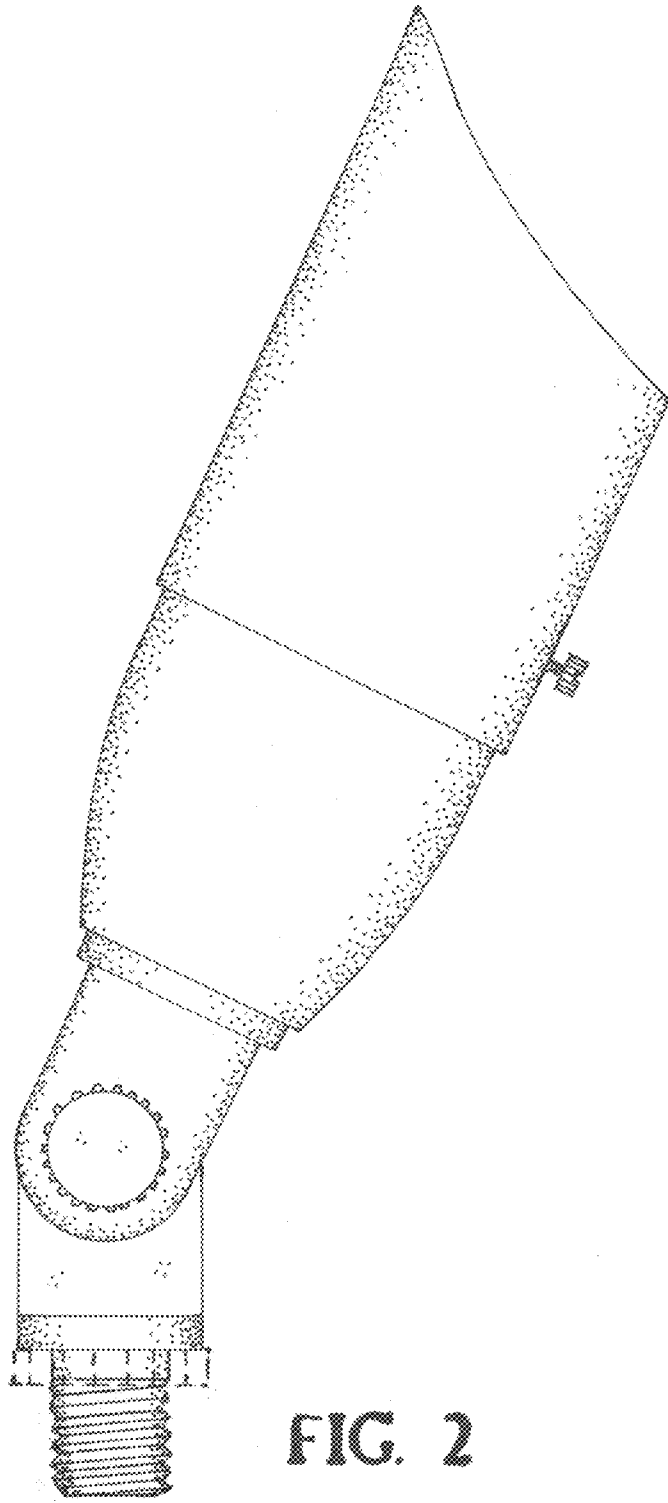


FIG. 2

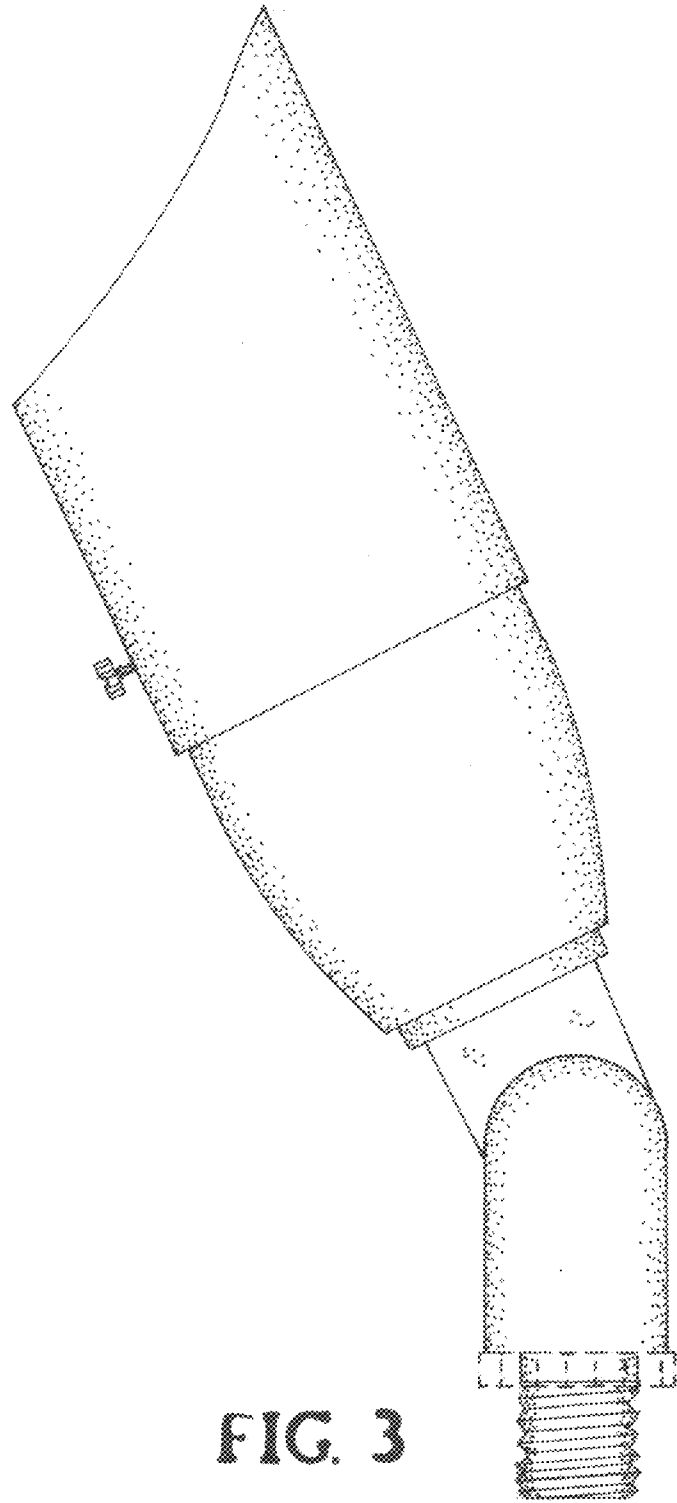


FIG. 3

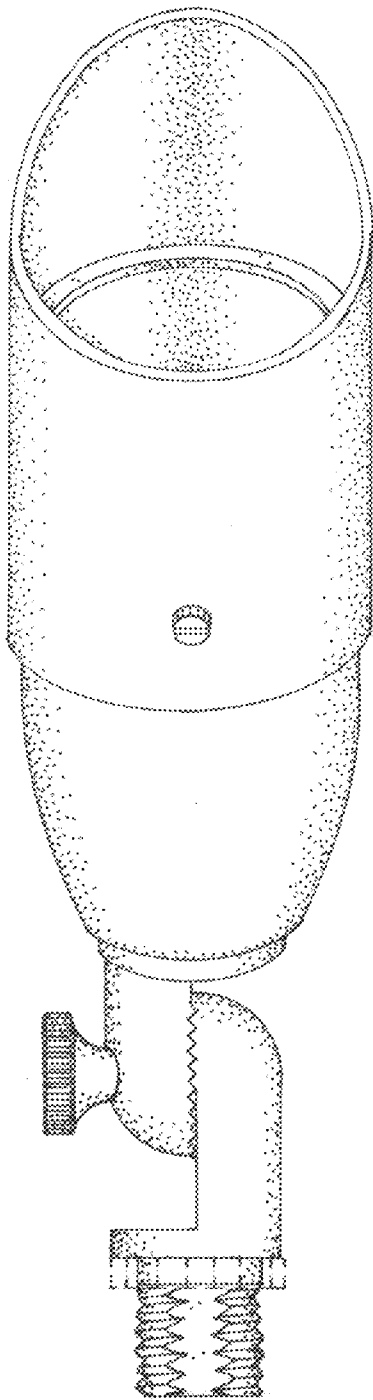


FIG. 4

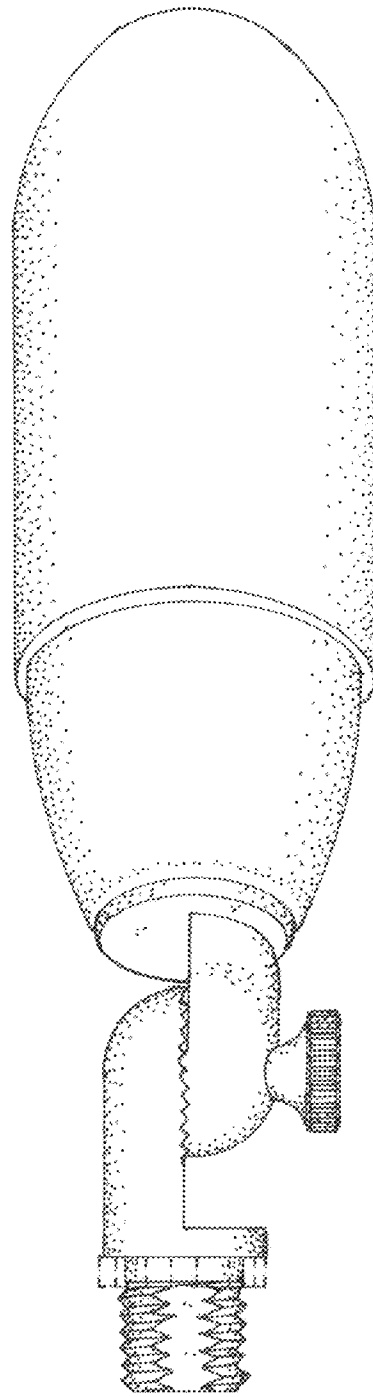


FIG. 5

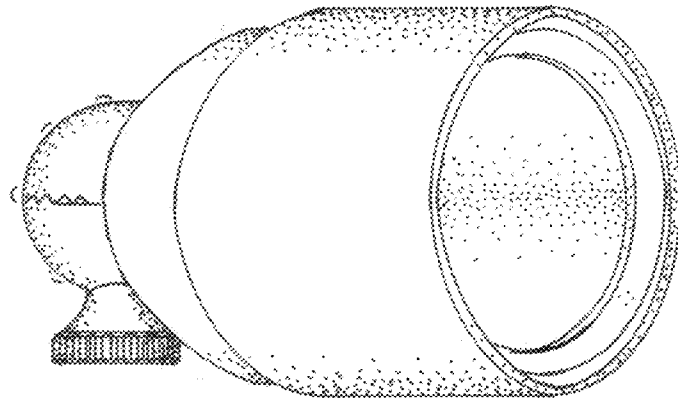


FIG. 6

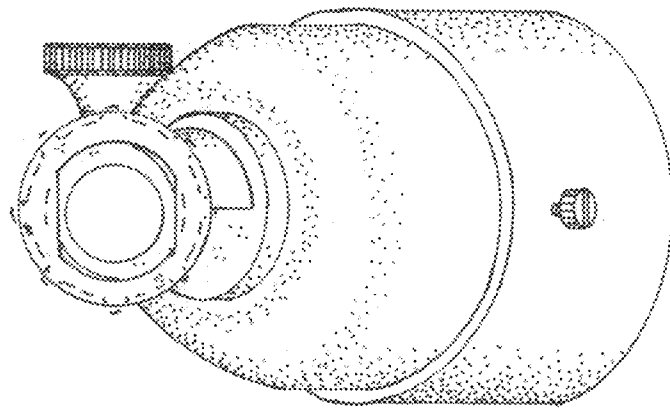


FIG. 7