



- (51) International Patent Classification:
A45D 34/00 (2006.01) *B65D 83/76* (2006.01)
B65D 47/34 (2006.01) *A45D 40/00* (2006.01)
B65D 25/20 (2006.01)
- (21) International Application Number: PCT/US2011/059289
- (22) International Filing Date: 4 November 2011 (04.11.2011)
- (25) Filing Language: English
- (26) Publication Language: English
- (30) Priority Data: 12/948,840 18 November 2010 (18.11.2010) US
- (71) Applicant (for all designated States except US): **ELC MANAGEMENT LLC** [US/US]; 767 Fifth Avenue, New York, New York 10153 (US).
- (72) Inventors; and
(75) Inventors/Applicants (for US only): **BOUIX, Herve, F.** [FR/US]; 245 East 54th Street, New York, New York 10022 (US). **JACOB, Christophe** [FR/FR]; 14 bis rue Malliot, F-76000 Rouen (FR).
- (74) Agents: **GIANCANA, Peter** et al.; 155 Pinelawn Road, Suite 345 South, Melville, New York 11747 (US).
- (81) Designated States (unless otherwise indicated, for every kind of national protection available): AE, AG, AL, AM, AO, AT, AU, AZ, BA, BB, BG, BH, BR, BW, BY, BZ, CA, CH, CL, CN, CO, CR, CU, CZ, DE, DK, DM, DO, DZ, EC, EE, EG, ES, FI, GB, GD, GE, GH, GM, GT, HN,

[Continued on next page]

(54) Title: REUSABLE PUMP DISPENSER FOR HEATED PERSONAL CARE COMPOSITIONS

(57) Abstract: A handheld, reusable product dispenser that heats a portion of flowable product as it is being dispensed from a reservoir. The reusable heating dispenser that is able to heat at least 50 μ L of a flowable product, from an ambient temperature to a product application temperature, immediately prior to dispensing. By heating the product, some characteristic of the product may be enhanced or improved. The reservoir is removable from the reusable housing. Preferably, the heating circuit is battery powered.

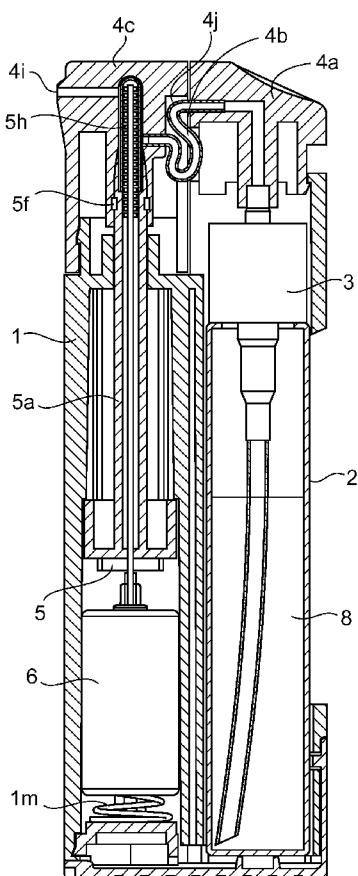


FIG. 1C





HR, HU, ID, IL, IN, IS, JP, KE, KG, KM, KN, KP, KR, KZ, LA, LC, LK, LR, LS, LT, LU, LY, MA, MD, ME, MG, MK, MN, MW, MX, MY, MZ, NA, NG, NI, NO, NZ, OM, PE, PG, PH, PL, PT, QA, RO, RS, RU, RW, SC, SD, SE, SG, SK, SL, SM, ST, SV, SY, TH, TJ, TM, TN, TR, TT, TZ, UA, UG, US, UZ, VC, VN, ZA, ZM, ZW.

(84) Designated States (unless otherwise indicated, for every kind of regional protection available): ARIPO (BW, GH, GM, KE, LR, LS, MW, MZ, NA, RW, SD, SL, SZ, TZ, UG, ZM, ZW), Eurasian (AM, AZ, BY, KG, KZ, MD, RU, TJ, TM), European (AL, AT, BE, BG, CH, CY, CZ, DE, DK, EE, ES, FI, FR, GB, GR, HR, HU, IE, IS, IT,

LT, LU, LV, MC, MK, MT, NL, NO, PL, PT, RO, RS, SE, SI, SK, SM, TR), OAPI (BF, BJ, CF, CG, CI, CM, GA, GN, GQ, GW, ML, MR, NE, SN, TD, TG).

Published:

- with international search report (Art. 21(3))
- before the expiration of the time limit for amending the claims and to be republished in the event of receipt of amendments (Rule 48.2(h))

(88) Date of publication of the international search report:

12 July 2012

A. CLASSIFICATION OF SUBJECT MATTER*A45D 34/00(2006.01)i, B65D 47/34(2006.01)i, B65D 25/20(2006.01)i, B65D 83/76(2006.01)i, A45D 40/00(2006.01)i*

According to International Patent Classification (IPC) or to both national classification and IPC

B. FIELDS SEARCHED

Minimum documentation searched (classification system followed by classification symbols)

A45D 34/00; A47L 13/32; A45D 7/02; A46B 11/08

Documentation searched other than minimum documentation to the extent that such documents are included in the fields searched

Korean utility models and applications for utility models

Japanese utility models and applications for utility models

Electronic data base consulted during the international search (name of data base and, where practicable, search terms used)

eKOMPASS(KIPO internal) & Keywords:dispenser, heating, pinred circuit board, flexible conduit, reservoir, battery

C. DOCUMENTS CONSIDERED TO BE RELEVANT

Category*	Citation of document, with indication, where appropriate, of the relevant passages	Relevant to claim No.
A	US 7448814 B2 (BOUX HERVE et al.) 11 November 2008 See abstract; column 6, lines 10 - 40; claim 1 and figures 1 - 3.	1-31
A	US 2005-0031400 A1 (MARCOTTE LOUIS et al.) 10 February 2005 See abstract; paragraphs 99 - 104; claim 1 and figures 1, 3.	1-31
A	US 7695207 B1 (LAGHI ALDO A.) 13 April 2010 See abstract; column 4, lines 26 - 59, column 5, lines 44 - 58; claim 1 and figures 1, 5.	1-31
A	US 05263501 A (MAZNIK GARY R.) 23 November 1993 See abstract; column 3, lines 47 - column 4, lines 34; claims 1, 13 and figures 1 - 2.	1-31

 Further documents are listed in the continuation of Box C. See patent family annex.

* Special categories of cited documents:

"A" document defining the general state of the art which is not considered to be of particular relevance

"E" earlier application or patent but published on or after the international filing date

"L" document which may throw doubts on priority claim(s) or which is cited to establish the publication date of citation or other special reason (as specified)

"O" document referring to an oral disclosure, use, exhibition or other means

"P" document published prior to the international filing date but later than the priority date claimed

"T" later document published after the international filing date or priority date and not in conflict with the application but cited to understand the principle or theory underlying the invention

"X" document of particular relevance; the claimed invention cannot be considered novel or cannot be considered to involve an inventive step when the document is taken alone

"Y" document of particular relevance; the claimed invention cannot be considered to involve an inventive step when the document is combined with one or more other such documents, such combination being obvious to a person skilled in the art

"&" document member of the same patent family

Date of the actual completion of the international search

21 MAY 2012 (21.05.2012)

Date of mailing of the international search report

23 MAY 2012 (23.05.2012)

Name and mailing address of the ISA/KR

Korean Intellectual Property Office
Government Complex-Daejeon, 189 Cheongsu-ro,
Seo-gu, Daejeon 302-701, Republic of Korea

Facsimile No. 82-42-472-7140

Authorized officer

Park Hye Jun

Telephone No. 82-42-481-3357



INTERNATIONAL SEARCH REPORT

Information on patent family members

International application No.

PCT/US2011/059289

Patent document cited in search report	Publication date	Patent family member(s)	Publication date
US 7448814 B2	11.11.2008	AU 2007-256963 B2	19.08.2010
		CA 2653500 A1	13.12.2007
		EP 2037775 A2	25.03.2009
		JP 2009-539494 A	19.11.2009
		JP 2009-539494 T	19.11.2009
		KR 10-1105544 B1	17.01.2012
		KR20090017689A	18.02.2009
		US 2007-0286666 A1	13.12.2007
		WO 2007-143370 A2	13.12.2007
		WO 2007-143370 A3	25.09.2008
		WO 2007-143370 A3	13.12.2007
US 2005-0031400 A1	10.02.2005	None	
US 7695207 B1	13.04.2010	None	
US 05263501 A	23.11.1993	None	