



(51) International Patent Classification:

E03C 1/05 (2006.01) F16K 31/02 (2006.01)
F16K 11/16 (2006.01)

(21) International Application Number:

PCT/TR2018/050828

(22) International Filing Date:

18 December 2018 (18.12.2018)

(25) Filing Language:

English

(26) Publication Language:

English

(30) Priority Data:

2017/21739 26 December 2017 (26.12.2017) TR

(71) Applicant: **ECZACIBASI YAPI GERECLERI SANAYI VE TICARET ANONIM SIRKETI** [TR/TR]; Buyukdere Cad. Ali Kaya Sok. No:7, Levent, 34394 Istanbul (TR).

(72) Inventors: **KEMANECCI, Halil İbrahim**; Eskişehir Karayolu Üzeri 4 Km, 11300 Bozüyük/Bilecik (TR). **ÜNAL, Ahmet**; Eskişehir Karayolu Üzeri 4 Km, Bozüyük/Bilecik (TR).

(74) Agent: **GOZTEPE, Burcu Eylem**; Atatürk Bulvarı 199/A-5, Kavaklıdere, 06680 Ankara (TR).

(81) Designated States (unless otherwise indicated, for every kind of national protection available):

AE, AG, AL, AM, AO, AT, AU, AZ, BA, BB, BG, BH, BN, BR, BW, BY, BZ, CA, CH, CL, CN, CO, CR, CU, CZ, DE, DJ, DK, DM, DO, DZ, EC, EE, EG, ES, FI, GB, GD, GE, GH, GM, GT, HN, HR, HU, ID, IL, IN, IR, IS, JO, JP, KE, KG, KH, KN, KP, KR, KW, KZ, LA, LC, LK, LR, LS, LU, LY, MA, MD, ME, MG, MK, MN, MW, MX, MY, MZ, NA, NG, NI, NO, NZ, OM, PA, PE, PG, PH, PL, PT, QA, RO, RS, RU, RW, SA, SC, SD, SE, SG, SK, SL, SM, ST, SV, SY, TH, TJ, TM, TN, TR, TT, TZ, UA, UG, US, UZ, VC, VN, ZA, ZM, ZW.

(84) Designated States (unless otherwise indicated, for every kind of regional protection available):

ARIPO (BW, GH, GM, KE, LR, LS, MW, MZ, NA, RW, SD, SL, ST, SZ, TZ, UG, ZM, ZW), Eurasian (AM, AZ, BY, KG, KZ, RU, TJ, TM), European (AL, AT, BE, BG, CH, CY, CZ, DE, DK, EE, ES, FI, FR, GB, GR, HR, HU, IE, IS, IT, LT, LU, LV, MC, MK, MT, NL, NO, PL, PT, RO, RS, SE, SI, SK, SM, TR), OAPI (BF, BJ, CF, CG, CI, CM, GA, GN, GQ, GW, KM, ML, MR, NE, SN, TD, TG).

Declarations under Rule 4.17:

- as to applicant's entitlement to apply for and be granted a patent (Rule 4.17(ii))
- of inventorship (Rule 4.17(iv))

(54) Title: FIXTURE WITH ELECTRONIC AND MANUAL CONTROL

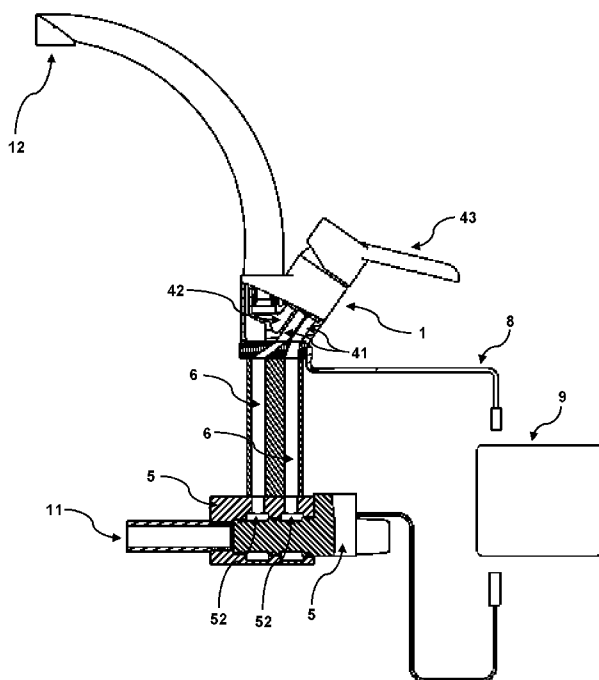


Figure - 2

(57) Abstract: The present invention relates to a fixture with double control in which the water flow from the fixture may be turned on and off mechanically with the help of an arm, the water flow from the fixture may be turned on and off electrically with the help of a trigger, the water flow from the fixture may be turned on mechanically with the help of an arm and turned off electrically with the help of a trigger or the water flow from the fixture may be turned on electrically with the help of a trigger and turned off mechanically with the help of an arm.



Published:

- *with international search report (Art. 21(3))*
- *before the expiration of the time limit for amending the claims and to be republished in the event of receipt of amendments (Rule 48.2(h))*
- *in black and white; the international application as filed contained color or greyscale and is available for download from PATENTSCOPE*

(88) Date of publication of the international search report:

02 January 2020 (02.01.2020)

INTERNATIONAL SEARCH REPORT

International application No.

PCT/TR2018/050828

A. CLASSIFICATION OF SUBJECT MATTER

E03C 1/05 (2006.01)i; F16K 11/16 (2006.01)i; F16K 31/02 (2006.01)i

According to International Patent Classification (IPC) or to both national classification and IPC

B. FIELDS SEARCHED

Minimum documentation searched (classification system followed by classification symbols)

E03C; F16K

Documentation searched other than minimum documentation to the extent that such documents are included in the fields searched

Electronic data base consulted during the international search (name of data base and, where practicable, search terms used)

C. DOCUMENTS CONSIDERED TO BE RELEVANT

Category*	Citation of document, with indication, where appropriate, of the relevant passages	Relevant to claim No.
X A	DE 102012024948 A1 (GEBR ECHTERMANN GMBH & CO KG) 10 July 2014 (2014-07-10) description, paragraphs 24-35; figures 2, 4 and 5	1,6-7,10-13,15-18 2-5,8-9,14
A	US 2012248351 A1 (HUANG S, HYDROTEK CORP) 04 October 2012 (2012-10-04) the whole document	1-18
A	US 2013291978 A1 (MOEN INC) 07 November 2013 (2013-11-07) the whole document	1-18
A	US 2009094740 A1 (JI S, JI S M) 16 April 2009 (2009-04-16) the whole document	1-18
A	US 2001011560 A1 (GROHE & CO AG KG FRIEDRICH, GROHE WATER TECHNOLOGY AG & CO KG) 09 August 2001 (2001-08-09) the whole document	1-18

 Further documents are listed in the continuation of Box C. See patent family annex.

* Special categories of cited documents:

"A" document defining the general state of the art which is not considered to be of particular relevance

"E" earlier application or patent but published on or after the international filing date

"L" document which may throw doubts on priority claim(s) or which is cited to establish the publication date of another citation or other special reason (as specified)

"O" document referring to an oral disclosure, use, exhibition or other means

"P" document published prior to the international filing date but later than the priority date claimed

"T" later document published after the international filing date or priority date and not in conflict with the application but cited to understand the principle or theory underlying the invention

"X" document of particular relevance; the claimed invention cannot be considered novel or cannot be considered to involve an inventive step when the document is taken alone

"Y" document of particular relevance; the claimed invention cannot be considered to involve an inventive step when the document is combined with one or more other such documents, such combination being obvious to a person skilled in the art

"&" document member of the same patent family

Date of the actual completion of the international search

05 December 2019

Date of mailing of the international search report

05 December 2019

Name and mailing address of the ISA/TR

Turkish Patent and Trademark Office (Turkpatent)
Hipodrom Caddesi No. 13
06560 Yenimahalle
Ankara
Turkey

Telephone No. (90-312) 303 11 82

Facsimile No. +903123031220

Authorized officer

Dr. Fatih TUNÇDEMİR

Telephone No. +903123031266

INTERNATIONAL SEARCH REPORT
Information on patent family members

International application No.

PCT/TR2018/050828

Patent document cited in search report			Publication date (day/month/year)	Patent family member(s)	Publication date (day/month/year)
DE	102012024948	A1	10 July 2014	NONE	
US	2012248351	A1	04 October 2012	US 8474481 B2	02 July 2013
US	2013291978	A1	07 November 2013	EP 2847392 A1	18 March 2015
				WO 2013169799 A1	14 November 2013
				US 9212473 B2	15 December 2015
				CA 2871756 A1	14 November 2013
				CN 204199386 U	11 March 2015
US	2009094740	A1	16 April 2009	JP 2009097330 A	07 May 2009
				JP 5384069 B	08 January 2014
				KR 100840867 B	23 June 2008
US	2001011560	A1	09 August 2001	EP 1130177 A2	05 September 2001
				US 6390125 B2	21 May 2002
				DE 10005946 A1	16 August 2001
				AT 283396 T	15 December 2004