



US00D375975S

United States Patent [19]

Koizumi et al.

[11] Patent Number: **Des. 375,975**

[45] Date of Patent: ****Nov. 26, 1996**

[54] PRINTING HEAD

[75] Inventors: **Yutaka Koizumi**, Yokohama; **Toshio Kashino**, Chigasaki; **Seiichiro Karita**, Yokohama; **Kiyomi Aono**, Kokubunji; **Kouichi Omata**; **Hiroki Tajima**, both of Kawasaki, all of Japan

[73] Assignee: **Canon Kabushiki Kaisha**, Tokyo, Japan

[**] Term: **14 Years**

[21] Appl. No.: **38,089**

[22] Filed: **Apr. 28, 1995**

[30] Foreign Application Priority Data

Nov. 2, 1994 [JP] Japan 6-33600

[52] U.S. Cl. **D18/56**

[58] Field of Search D18/12, 43, 56;
347/86, 87, 43, 42

[56] References Cited

U.S. PATENT DOCUMENTS

D. 296,787	7/1988	Hidaka et al.	D18/56
D. 314,006	1/1991	Abe et al.	D18/56
D. 319,842	9/1991	Tanda	D18/56
D. 327,496	6/1992	Karita et al.	D18/56
D. 327,908	7/1992	Watanabe et al.	D18/56
D. 331,011	11/1992	Karita et al.	D9/415
D. 338,911	8/1993	Ujita et al.	D18/56

D. 351,856	10/1994	Watanabe et al.	D18/56
D. 352,058	11/1994	Kubota et al.	D18/56
D. 353,997	1/1995	Kashino et al.	D9/425
D. 366,275	1/1996	Komaki	D18/43
4,499,480	2/1985	Takatori et al.	347/42
4,703,334	10/1987	Mochimaru et al.	D18/56
5,192,959	3/1993	Drake et al.	347/42
5,365,645	11/1994	Walker et al.	347/42
5,469,199	11/1995	Allen et al.	347/42

FOREIGN PATENT DOCUMENTS

339926	11/1989	European Pat. Off.	347/42
6-158824	1/1994	Japan	347/42

Primary Examiner—Cathy Anne MacCormac
Attorney, Agent, or Firm—Fitzpatrick, Cella, Harper & Scinto

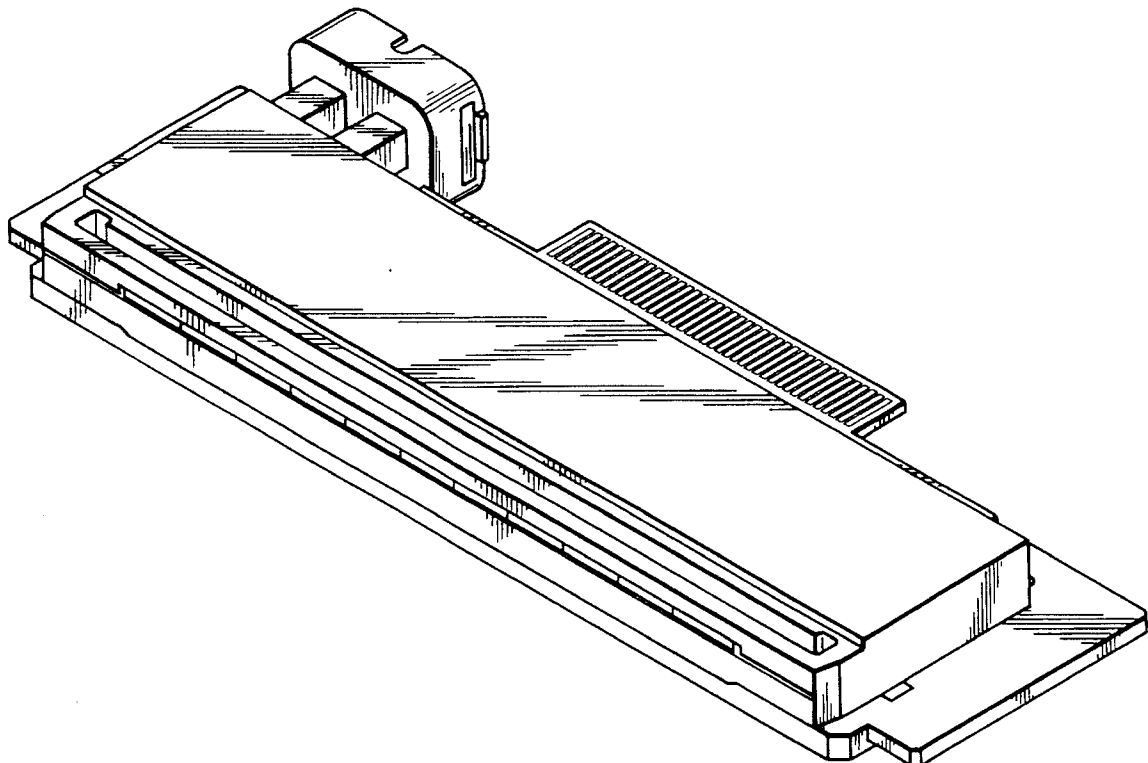
[57] CLAIM

The ornamental design for a printing head, as shown and described.

DESCRIPTION

FIG. 1 is a front elevational view of a printing head showing our new design;
FIG. 2 is a rear elevational view thereof;
FIG. 3 is a top plan view thereof;
FIG. 4 is a bottom plan view thereof;
FIG. 5 is a left side elevational view thereof;
FIG. 6 is a right side elevational view thereof; and,
FIG. 7 is a perspective view thereof.

1 Claim, 3 Drawing Sheets



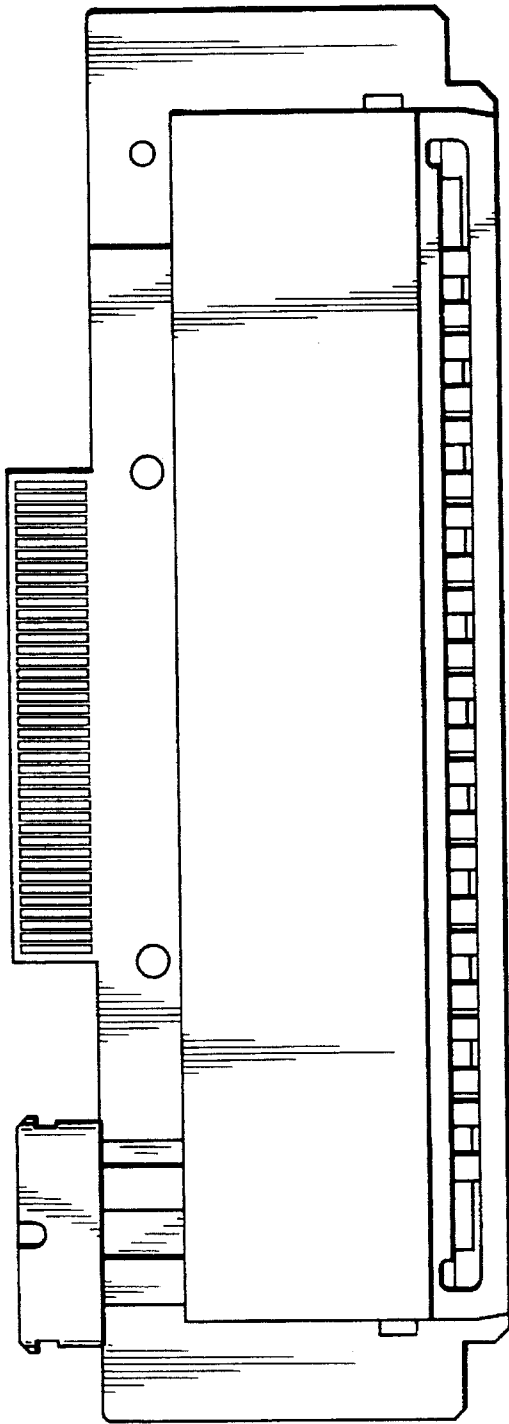


FIG. 1

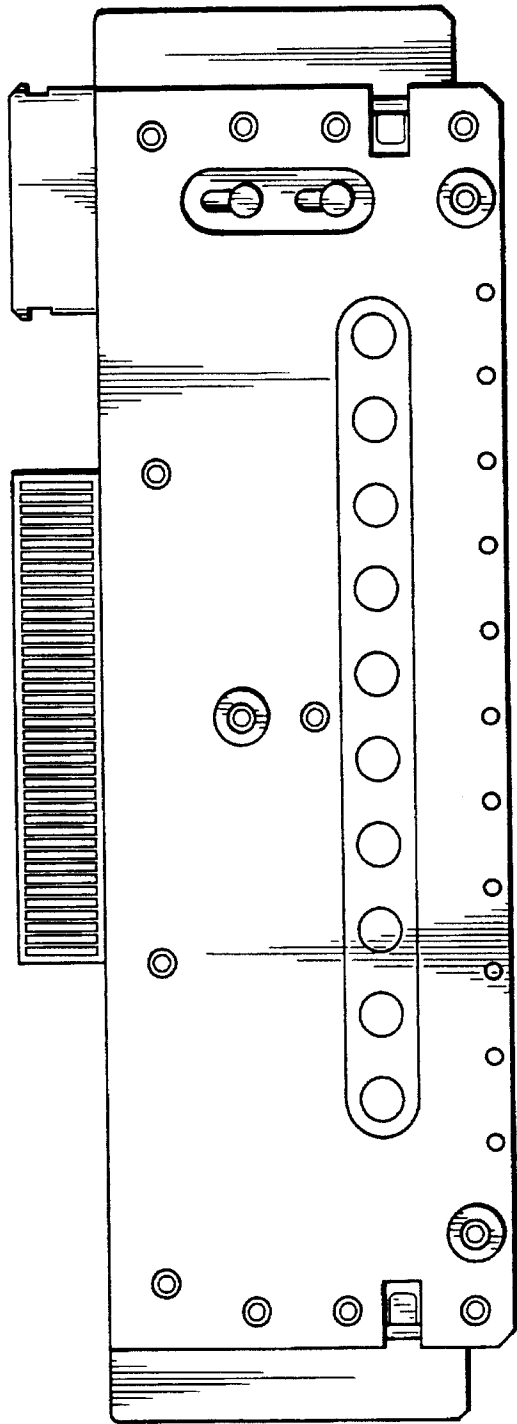


FIG. 2

FIG. 5

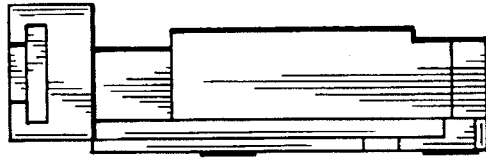


FIG. 3

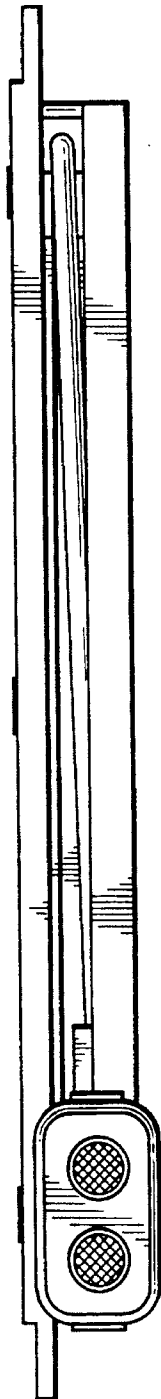


FIG. 4

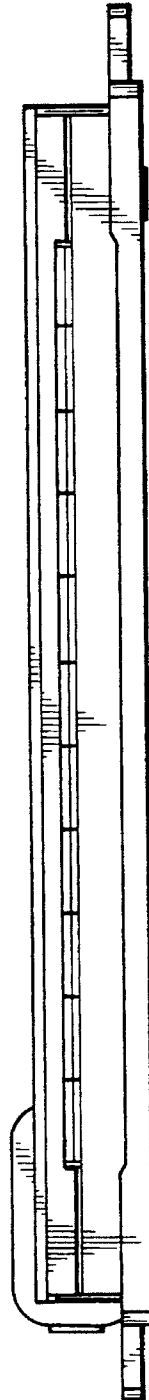


FIG. 7

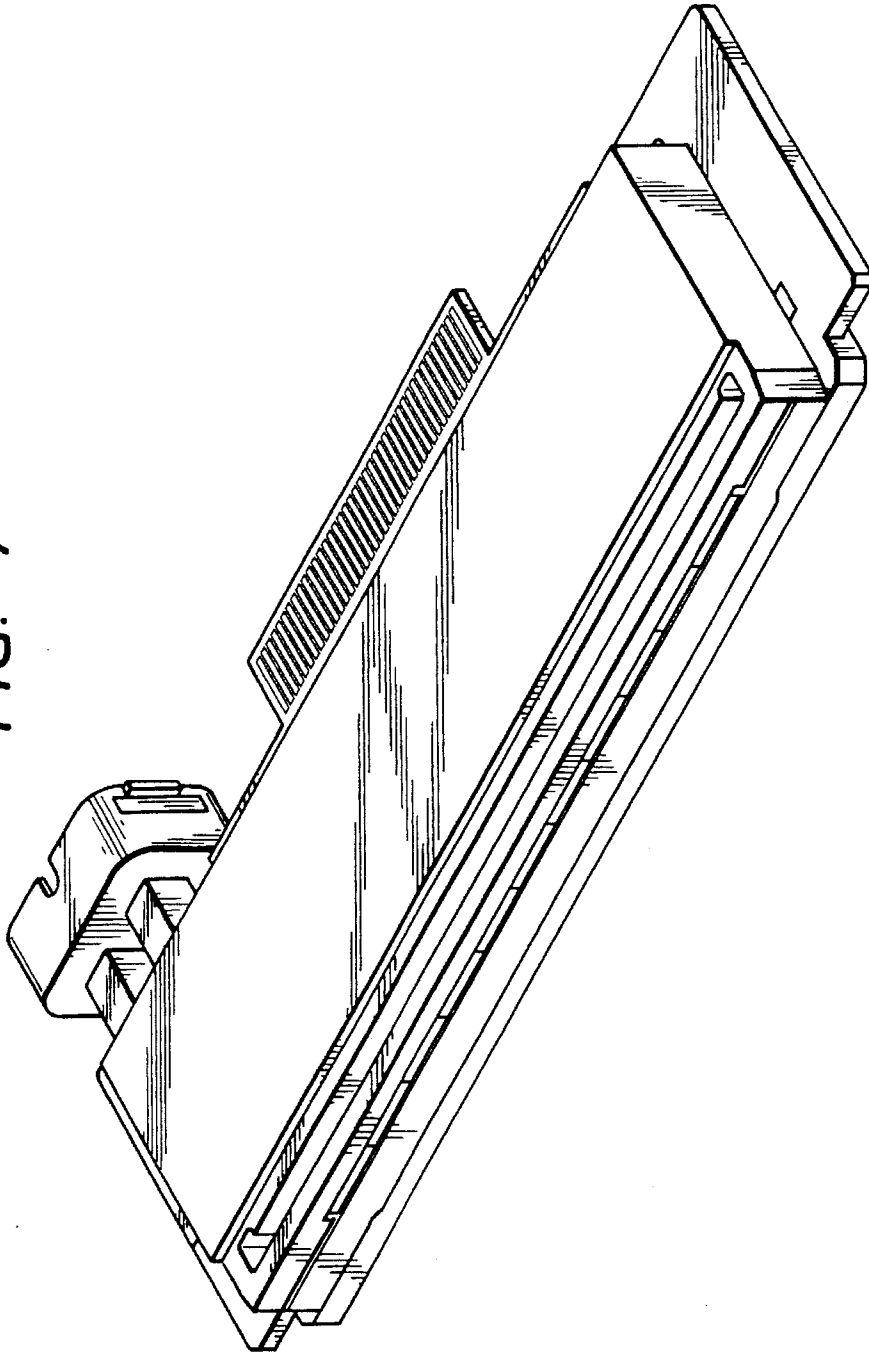
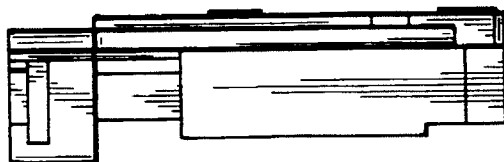


FIG. 6



UNITED STATES PATENT AND TRADEMARK OFFICE
CERTIFICATE OF CORRECTION

PATENT NO. : Des. 375,975

DATED : November 26, 1996

INVENTORS : YUTAKA KOIZUMI, ET AL.

It is certified that error appears in the above-identified patent and that said Letters Patent is hereby corrected as shown below:

On the title page, item

[56] FOREIGN PATENT DOCUMENTS

"6-158824 1/1994 Japan"

should read --6-15824 1/1994 Japan--

Signed and Sealed this
Ninth Day of December, 1997

Attest:



BRUCE LEHMAN

Attesting Officer

Commissioner of Patents and Trademarks