



- (51) International Patent Classification:
G06F 12/10 (2006.01)
- (21) International Application Number:
PCT/US2014/011027
- (22) International Filing Date:
10 January 2014 (10.01.2014)
- (25) Filing Language: English
- (26) Publication Language: English
- (30) Priority Data:
13/741,981 15 January 2013 (15.01.2013) US
- (71) Applicant: QUALCOMM INCORPORATED [US/US];
ATTN: International IP Administration, 5775 Morehouse Drive, San Diego, California 92121-1714 (US).
- (72) Inventors: VENKUMAHANTI, Suresh K.; 5775 Morehouse Drive, San Diego, California 92121-1714 (US). PLONDKE, Erich J.; 5775 Morehouse Drive, San Diego, CA 92121-1714 (US). CODRESCU, Lucian; 5775 Morehouse Drive, San Diego, CA 92121-1714 (US). MAHON, Shane M.; 5775 Morehouse Drive, San Diego, CA 92121-1714 (US). TOLEY, Rahul R.; 5775 Morehouse Drive, San Diego, CA 92121-1714 (US). HAMDAN, Fadi A.; 5775 Morehouse Drive, San Diego, CA 92121-1714 (US).
- (74) Agent: TOLER, Jeffrey G.; 8500 Bluffstone Cove, Suite A201, Austin, Texas 78759 (US).

- (81) Designated States (unless otherwise indicated, for every kind of national protection available): AE, AG, AL, AM, AO, AT, AU, AZ, BA, BB, BG, BH, BN, BR, BW, BY, BZ, CA, CH, CL, CN, CO, CR, CU, CZ, DE, DK, DM, DO, DZ, EC, EE, EG, ES, FI, GB, GD, GE, GH, GM, GT, HN, HR, HU, ID, IL, IN, IR, IS, JP, KE, KG, KN, KP, KR, KZ, LA, LC, LK, LR, LS, LT, LU, LY, MA, MD, ME, MG, MK, MN, MW, MX, MY, MZ, NA, NG, NI, NO, NZ, OM, PA, PE, PG, PH, PL, PT, QA, RO, RS, RU, RW, SA, SC, SD, SE, SG, SK, SL, SM, ST, SV, SY, TH, TJ, TM, TN, TR, TT, TZ, UA, UG, US, UZ, VC, VN, ZA, ZM, ZW.
- (84) Designated States (unless otherwise indicated, for every kind of regional protection available): ARIPO (BW, GH, GM, KE, LR, LS, MW, MZ, NA, RW, SD, SL, SZ, TZ, UG, ZM, ZW), Eurasian (AM, AZ, BY, KG, KZ, RU, TJ, TM), European (AL, AT, BE, BG, CH, CY, CZ, DE, DK, EE, ES, FI, FR, GB, GR, HR, HU, IE, IS, IT, LT, LU, LV, MC, MK, MT, NL, NO, PL, PT, RO, RS, SE, SI, SK, SM, TR), OAPI (BF, BJ, CF, CG, CI, CM, GA, GN, GQ, GW, KM, ML, MR, NE, SN, TD, TG).

Declarations under Rule 4.17:

- as to applicant's entitlement to apply for and be granted a patent (Rule 4.17(ii))
- as to the applicant's entitlement to claim the priority of the earlier application (Rule 4.17(iii))

[Continued on next page]

(54) Title: OVERLAP CHECKING FOR A TRANSLATION LOOKASIDE BUFFER (TLB)

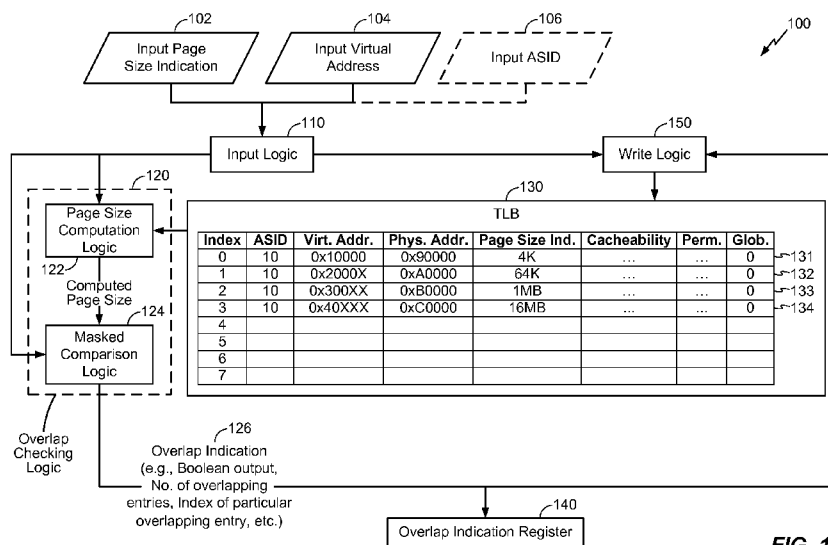


FIG. 1

(57) Abstract: An apparatus includes a translation lookaside buffer (TLB). The TLB includes at least one entry that includes an entry virtual address and an entry page size indication corresponding to an entry page. The apparatus also includes input logic configured to receive an input page size indication and an input virtual address corresponding to an input page. The apparatus further includes overlap checking logic configured to determine, based at least in part on the entry page size indication and the input page size indication, whether the input page overlaps the entry page.

WO 2014/113286 A3



Published:

(88) Date of publication of the international search report:

12 September 2014

- *with international search report (Art. 21(3))*
- *before the expiration of the time limit for amending the claims and to be republished in the event of receipt of amendments (Rule 48.2(h))*

INTERNATIONAL SEARCH REPORT

International application No
PCT/US2014/011027

A. CLASSIFICATION OF SUBJECT MATTER
INV. G06F12/10
ADD.
According to International Patent Classification (IPC) or to both national classification and IPC

B. FIELDS SEARCHED
Minimum documentation searched (classification system followed by classification symbols)
G06F

Documentation searched other than minimum documentation to the extent that such documents are included in the fields searched

Electronic data base consulted during the international search (name of data base and, where practicable, search terms used)
EPO-Internal, WPI Data

C. DOCUMENTS CONSIDERED TO BE RELEVANT

Category*	Citation of document, with indication, where appropriate, of the relevant passages	Relevant to claim No.
X	US 5 765 209 A (YETTER JEFFRY D [US]) 9 June 1998 (1998-06-09) column 4, line 17 - column 5, line 13 column 8, line 20 - column 10, line 6; figures 4a,4b -----	1-21
X	US 6 233 652 B1 (MATHEWS GREGORY SCOTT [US] ET AL) 15 May 2001 (2001-05-15) column 11, line 25 - column 12, line 34 -----	1-21
X	WO 96/12231 A1 (SILICON GRAPHICS INC [US]) 25 April 1996 (1996-04-25) page 18, line 7 - page 21, line 5; figure 5 -----	1-21
X	US 6 560 689 B1 (MATHEWS GREGORY S [US] ET AL) 6 May 2003 (2003-05-06) column 6, line 32 - column 7, line 50 -----	1-21

Further documents are listed in the continuation of Box C.

See patent family annex.

* Special categories of cited documents :

- "A" document defining the general state of the art which is not considered to be of particular relevance
- "E" earlier application or patent but published on or after the international filing date
- "L" document which may throw doubts on priority claim(s) or which is cited to establish the publication date of another citation or other special reason (as specified)
- "O" document referring to an oral disclosure, use, exhibition or other means
- "P" document published prior to the international filing date but later than the priority date claimed

- "T" later document published after the international filing date or priority date and not in conflict with the application but cited to understand the principle or theory underlying the invention
- "X" document of particular relevance; the claimed invention cannot be considered novel or cannot be considered to involve an inventive step when the document is taken alone
- "Y" document of particular relevance; the claimed invention cannot be considered to involve an inventive step when the document is combined with one or more other such documents, such combination being obvious to a person skilled in the art
- "&" document member of the same patent family

Date of the actual completion of the international search
30 June 2014

Date of mailing of the international search report
07/07/2014

Name and mailing address of the ISA/
European Patent Office, P.B. 5818 Patentlaan 2
NL - 2280 HV Rijswijk
Tel. (+31-70) 340-2040,
Fax: (+31-70) 340-3016

Authorized officer
Nielsen, Ole

INTERNATIONAL SEARCH REPORT

Information on patent family members

International application No

PCT/US2014/011027

Patent document cited in search report	Publication date	Patent family member(s)	Publication date
US 5765209	A	09-06-1998	NONE
US 6233652	B1	15-05-2001	NONE
WO 9612231	A1	25-04-1996	US 6266755 B1 24-07-2001 WO 9612231 A1 25-04-1996
US 6560689	B1	06-05-2003	NONE