

[54] **LIGHTING FIXTURE**

[75] **Inventors:** Michael T. Jankowski, Leek; Hans T. Meelen, Geldrop, both of Netherlands

[73] **Assignee:** U.S. Philips Corporation, New York, N.Y.

[**] **Term:** 14 Years

[21] **Appl. No.:** 609,245

[22] **Filed:** May 11, 1984

[30] **Foreign Application Priority Data**

Nov. 17, 1983 [XB] Benelux 58433-03

[52] **U.S. Cl.** D26/65

[58] **Field of Search** D26/24, 60-65; 362/269, 275, 277, 285, 297, 311, 362, 404, 418, 427

[56]

References Cited

U.S. PATENT DOCUMENTS

D. 208,877 10/1967 MacLeod, Jr. D26/63
3,725,695 4/1973 Eversberg et al. D26/63 X

OTHER PUBLICATIONS

Abitare 3-1983, p. 76 (ADS), Spotlight (center).
Schöner Wohnen, 4-1979, p. sw31, Spotlight (left).

Primary Examiner—Susan J. Lucas
Attorney, Agent, or Firm—Rolf E. Schneider

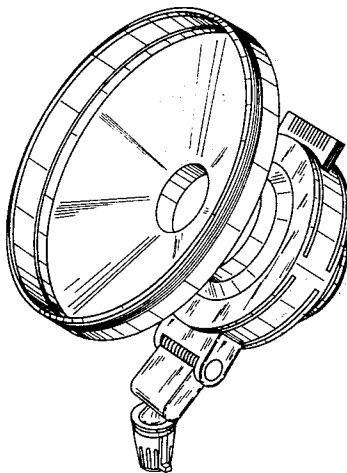
[57]

CLAIM

The ornamental design for a lighting fixture, as shown.

DESCRIPTION

FIG. 1 is a front, top and right side perspective view of a lighting fixture showing our new design; FIG. 2 is a right side elevational view thereof; FIG. 3 is a left side elevational view thereof; FIG. 4 is a front elevational view thereof; FIG. 5 is a rear elevational view thereof; FIG. 6 is a top plan view thereof; and FIG. 7 is a bottom plan view thereof.



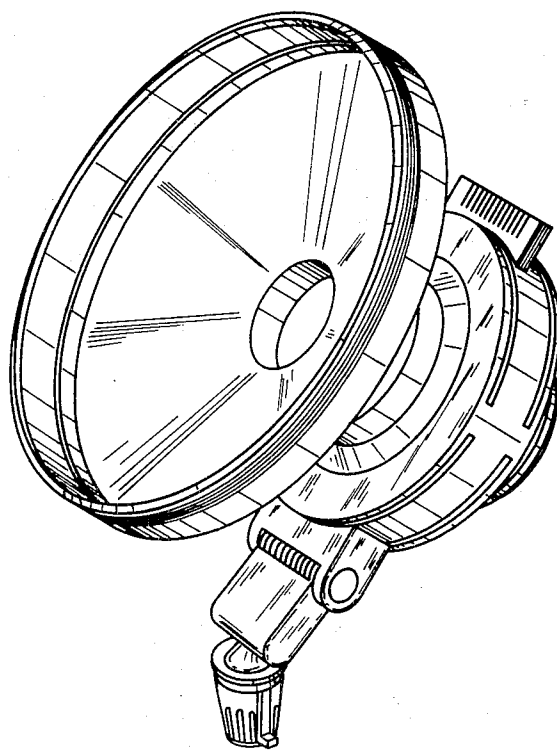


FIG. 1

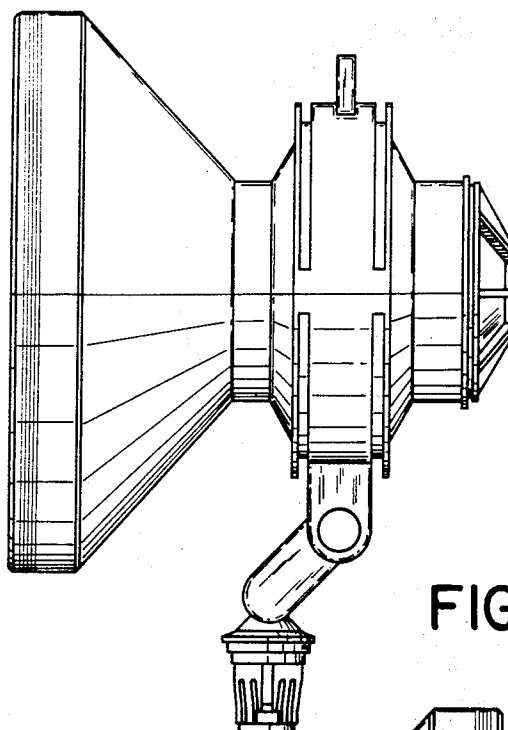


FIG. 2

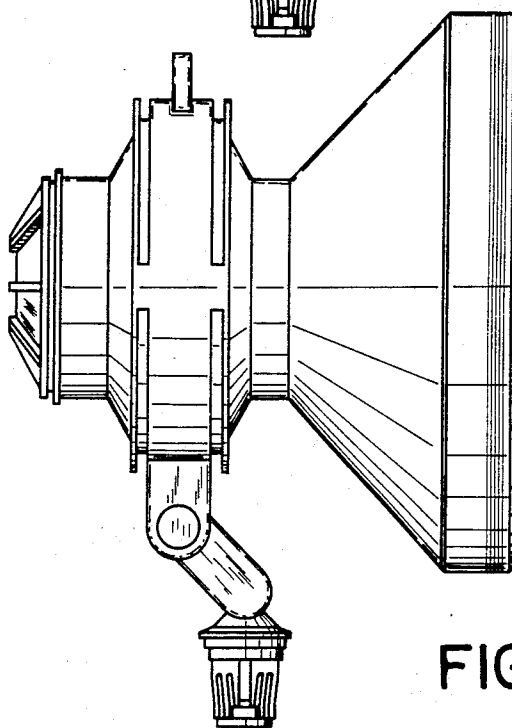


FIG. 3

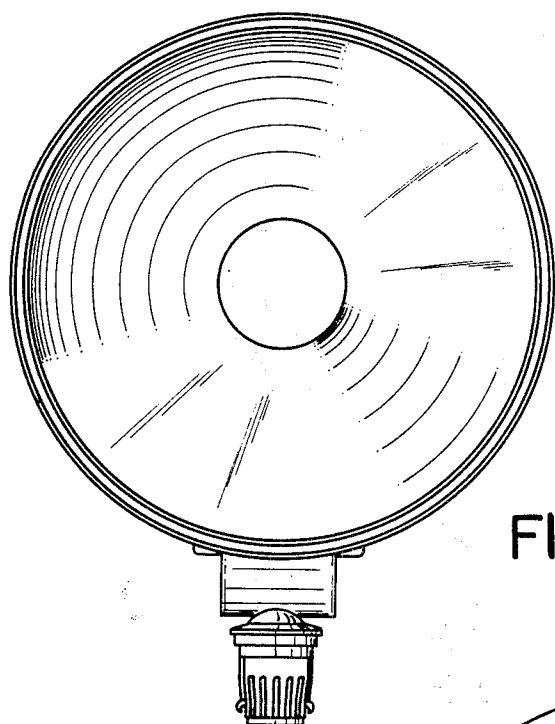


FIG. 4

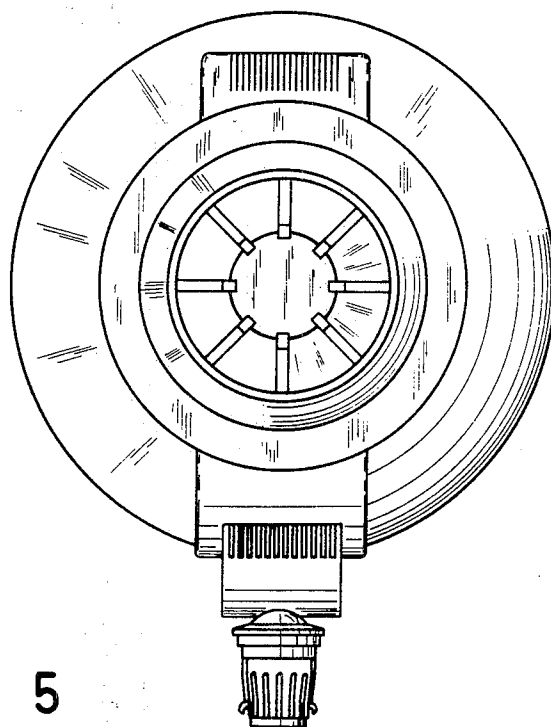


FIG. 5

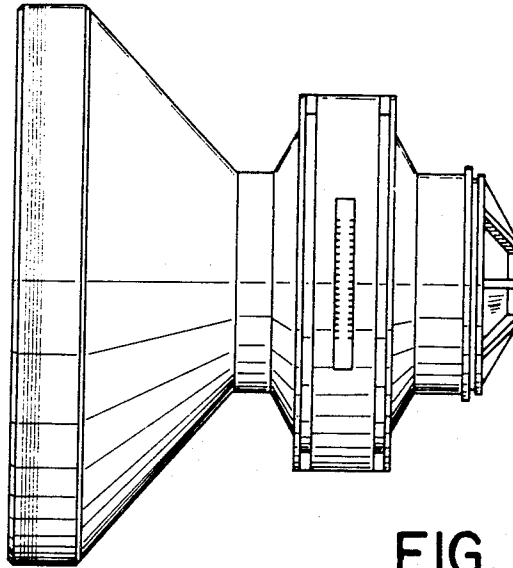


FIG. 6

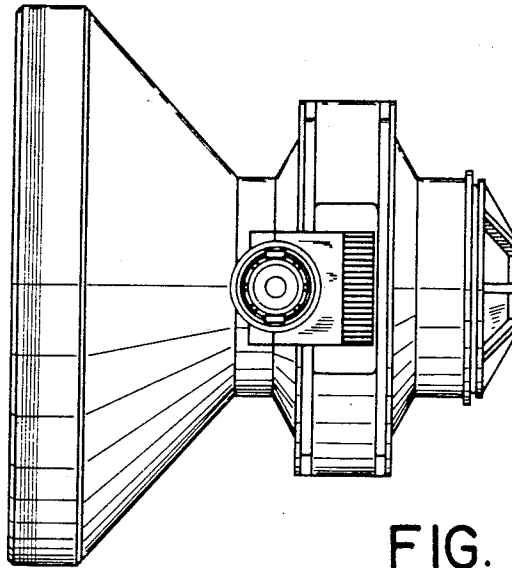


FIG. 7