

(19) World Intellectual Property Organization
International Bureau



(43) International Publication Date
9 October 2008 (09.10.2008)

PCT

(10) International Publication Number
WO 2008/121809 A3

- (51) International Patent Classification:
F16K 31/12 (2006.01)
- (21) International Application Number:
PCT/US2008/058643
- (22) International Filing Date: 28 March 2008 (28.03.2008)
- (25) Filing Language: English
- (26) Publication Language: English
- (30) Priority Data:
11/693,839 30 March 2007 (30.03.2007) US
- (71) Applicant (for all designated States except US): TYCO VALVES & CONTROLS, INC. [US/US]; 10707 Clay Road, Houston, Texas 77041 (US).
- (72) Inventors; and
- (75) Inventors/Applicants (for US only): MCNEELY, Michael [US/US]; 3217 Canadian Street, Katy, Texas 77493 (US). SMITH, Howell [US/US]; 5415 Harper Forest, Houston, Texas 77088 (US).
- (74) Agents: DAISAK, Daniel et al.; Tyco Flow Control, 9 Roszel Road, Princeton, New Jersey 08540 (US).

(81) Designated States (unless otherwise indicated, for every kind of national protection available): AE, AG, AL, AM, AO, AT, AU, AZ, BA, BB, BG, BH, BR, BW, BY, BZ, CA, CH, CN, CO, CR, CU, CZ, DE, DK, DM, DO, DZ, EC, EE, EG, ES, FI, GB, GD, GE, GH, GM, GT, HN, HR, HU, ID, IL, IN, IS, JP, KE, KG, KM, KN, KP, KR, KZ, LA, LC, LK, LR, LS, LT, LU, LY, MA, MD, ME, MG, MK, MN, MW, MX, MY, MZ, NA, NG, NI, NO, NZ, OM, PG, PH, PL, PT, RO, RS, RU, SC, SD, SE, SG, SK, SL, SM, SV, SY, TJ, TM, TN, TR, TT, TZ, UA, UG, US, UZ, VC, VN, ZA, ZM, ZW.

(84) Designated States (unless otherwise indicated, for every kind of regional protection available): ARIPO (BW, GH, GM, KE, LS, MW, MZ, NA, SD, SL, SZ, TZ, UG, ZM, ZW), Eurasian (AM, AZ, BY, KG, KZ, MD, RU, TJ, TM), European (AT, BE, BG, CH, CY, CZ, DE, DK, EE, ES, FI, FR, GB, GR, HR, HU, IE, IS, IT, LT, LU, LV, MC, MT, NL, NO, PL, PT, RO, SE, SI, SK, TR), OAPI (BF, BJ, CF, CG, CI, CM, GA, GN, GQ, GW, ML, MR, NE, SN, TD, TG).

[Continued on next page]

(54) Title: ADJUSTABLE RECIRCULATING VALVE

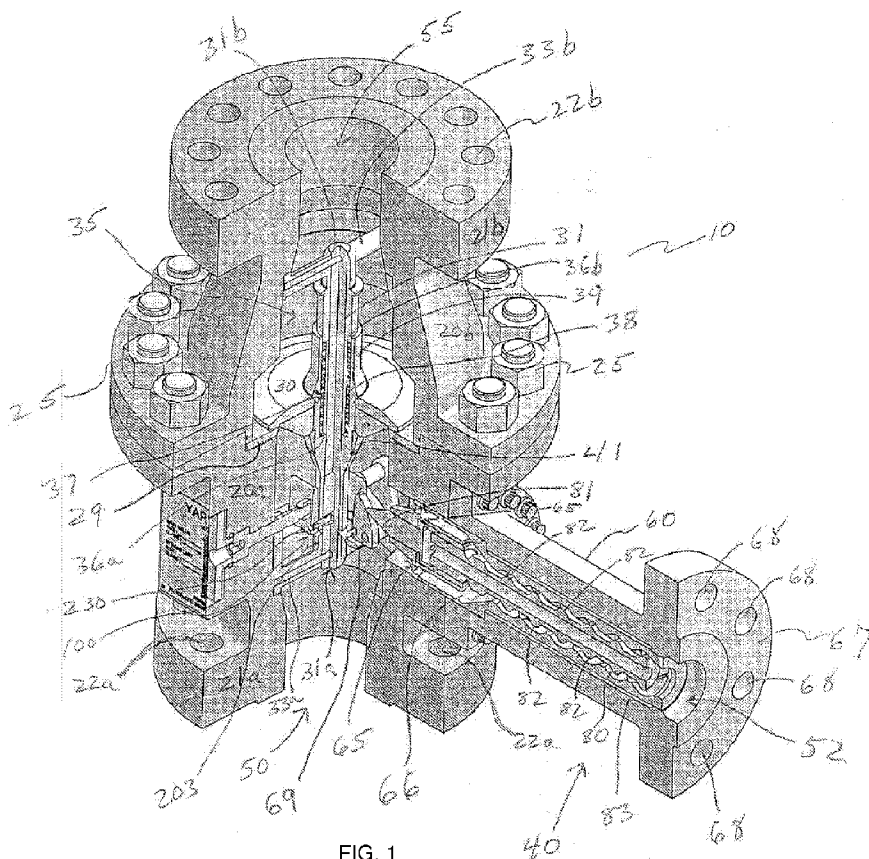


FIG. 1

(57) Abstract: An adjustable automatic recirculation valve includes a valve body, a main valve disk, a bypass valve and a dynamic adjustment assembly. The main valve disk is positioned within the valve body and opens in response to fluid flow between a main inlet and a main outlet. The bypass valve controls the flow of fluid between the main inlet and the recirculating outlet. A dynamic adjustment assembly, housed within the valve body controls the operating lift associated with the maximum opening of the bypass valve to regulate fluid flow capacity to the recirculating outlet.

WO 2008/121809 A3



Published:

- *with international search report*
- *before the expiration of the time limit for amending the claims and to be republished in the event of receipt of amendments*

(88) Date of publication of the international search report:
20 November 2008

INTERNATIONAL SEARCH REPORT

International application No.

PCT/US 08/58643

A. CLASSIFICATION OF SUBJECT MATTER

IPC(8) - F16K 31/12 (2008.04)

USPC - 251/51

According to International Patent Classification (IPC) or to both national classification and IPC

B. FIELDS SEARCHED

Minimum documentation searched (classification system followed by classification symbols)

IPC(8): F16K 31/12 (2008.04)

USPC: 251/51

Documentation searched other than minimum documentation to the extent that such documents are included in the fields searched
USPC - 137/599.11, 625, 625.28, 625.29; 251/48, 50, 51, 55, 205

Electronic data base consulted during the international search (name of data base and, where practicable, search terms used)

Electronic Databases Searched: PubWEST(USPT,PGPB,EPAB,JPAB); Google Patents, Google

Search terms used: recirculating, adjustable, bypass valve, automatic, adjust distance, opened, control distance, regulate fluid flow, valve operator, pivot arm, pivot lever, piston, pins, valve disk, inlet, bypass, recirculating outlet

C. DOCUMENTS CONSIDERED TO BE RELEVANT

Category*	Citation of document, with indication, where appropriate, of the relevant passages	Relevant to claim No.
X ----- Y	US 5,333,638 A (Maxwell) 02 August 1994 (02.08.1994) Fig 1; Abstract; col 1, ln 54-55; col 3, ln 6-16, 37-59; col 4, ln 21-24, 43-56, 60-64; col 6, ln 2-30	1-7 ----- 8-13
Y	US 3,750,694 A (Fawkes) 03 August 1971 (03.08.1971) col 3, ln 13-21, 41-57; col 4, ln 4-9, 45-47	8-13

Further documents are listed in the continuation of Box C.

- | | |
|---|--|
| * Special categories of cited documents: | "T" later document published after the international filing date or priority date and not in conflict with the application but cited to understand the principle or theory underlying the invention |
| "A" document defining the general state of the art which is not considered to be of particular relevance | "X" document of particular relevance; the claimed invention cannot be considered novel or cannot be considered to involve an inventive step when the document is taken alone |
| "E" earlier application or patent but published on or after the international filing date | "Y" document of particular relevance; the claimed invention cannot be considered to involve an inventive step when the document is combined with one or more other such documents, such combination being obvious to a person skilled in the art |
| "L" document which may throw doubts on priority claim(s) or which is cited to establish the publication date of another citation or other special reason (as specified) | "&" document member of the same patent family |
| "O" document referring to an oral disclosure, use, exhibition or other means | |
| "P" document published prior to the international filing date but later than the priority date claimed | |

Date of the actual completion of the international search

29 July 2008 (29.07.2008)

Date of mailing of the international search report

18 SEP 2008

Name and mailing address of the ISA/US

Mail Stop PCT, Attn: ISA/US, Commissioner for Patents
P.O. Box 1450, Alexandria, Virginia 22313-1450
Facsimile No. 571-273-3201

Authorized officer:

Lee W. Young

PCT Helpdesk: 571-272-4300
PCT OSP: 571-272-7774