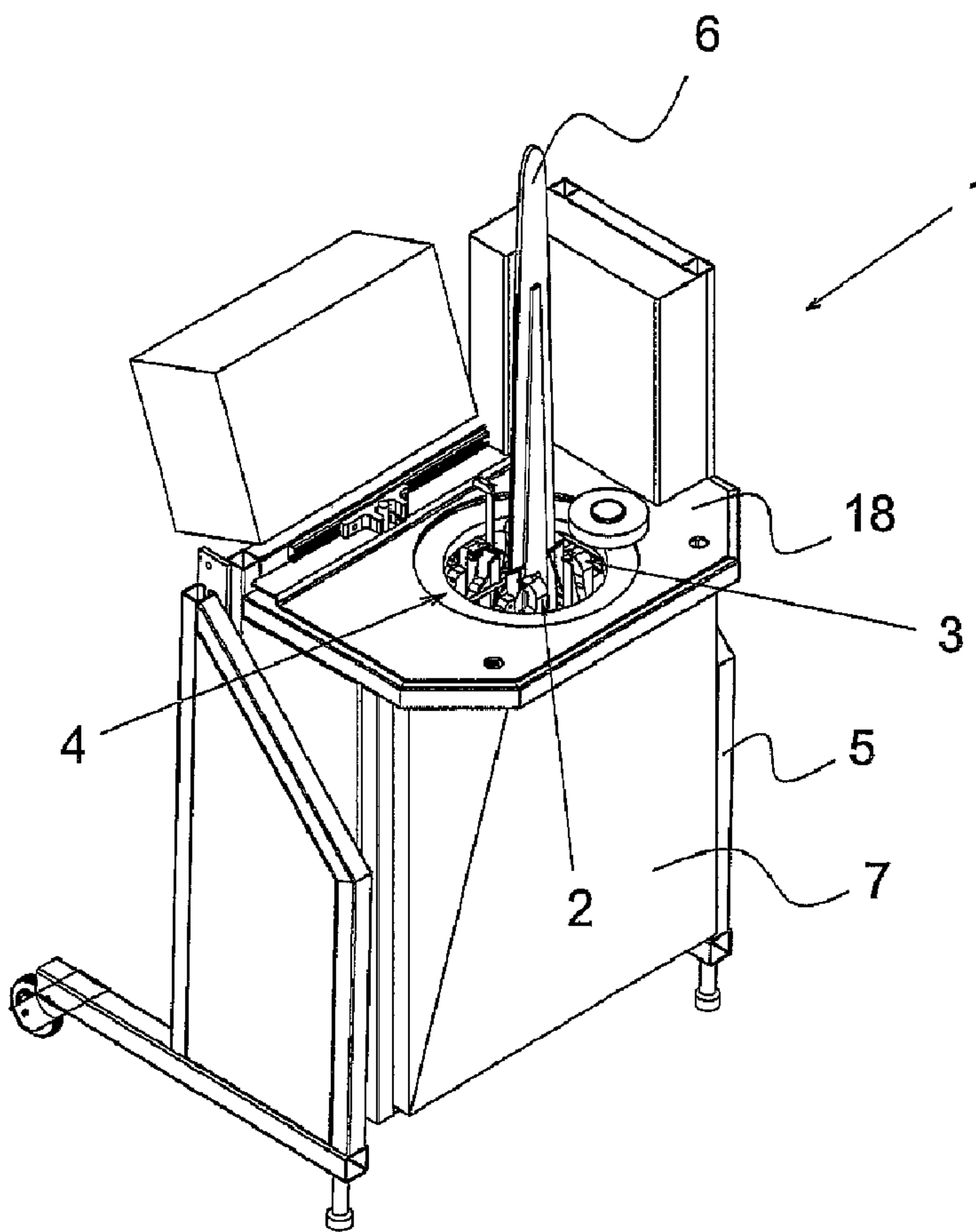




(86) Date de dépôt PCT/PCT Filing Date: 2005/02/23
 (87) Date publication PCT/PCT Publication Date: 2005/09/01
 (45) Date de délivrance/Issue Date: 2012/11/13
 (85) Entrée phase nationale/National Entry: 2006/07/20
 (86) N° demande PCT/PCT Application No.: DK 2005/000120
 (87) N° publication PCT/PCT Publication No.: 2005/080607
 (30) Priorité/Priority: 2004/02/24 (DK PA 2004 00290)

(51) Cl.Int./Int.Cl. *C14B 15/06* (2006.01)
 (72) Inventeur/Inventor:
 SIIG, PETER, DK
 (73) Propriétaire/Owner:
 4M GLOBE MANAGEMENT LTD., GB
 (74) Agent: FETHERSTONHAUGH & CO.

(54) Titre : FIXATION D'UNE FOURRURE SUR UNE PLANCHE DE DEPOUILLE
 (54) Title: FASTENING FUR ON A PELTING BOARD



(57) Abrégé/Abstract:

The present invention concerns a method for fixing a fur on a pelting board (6) which is temporarily held in a pelting board holder (2), where the fur is put on the pelting board (6), where end parts of the fur are retained in a fur holder (3), and where the fur is

(57) **Abrégé(suite)/Abstract(continued):**

stretched on the pelting board (6) to a desired length, where preferably the end part of the fur is fixed on the pelting board (6) by winding with a winding material (13), such as a band. The present invention furthermore concerns an apparatus (1) for securing a fur on a pelting board (6) according to the method in claim 1, where the apparatus (1) includes a pelting board holder (2), a fur holder (3) and a band winding unit (4), and where the band winding unit (4) is arranged for moving around the pelting board holder (2).

(12) INTERNATIONAL APPLICATION PUBLISHED UNDER THE PATENT COOPERATION TREATY (PCT)

(19) World Intellectual Property
Organization
International Bureau



(43) International Publication Date
1 September 2005 (01.09.2005)

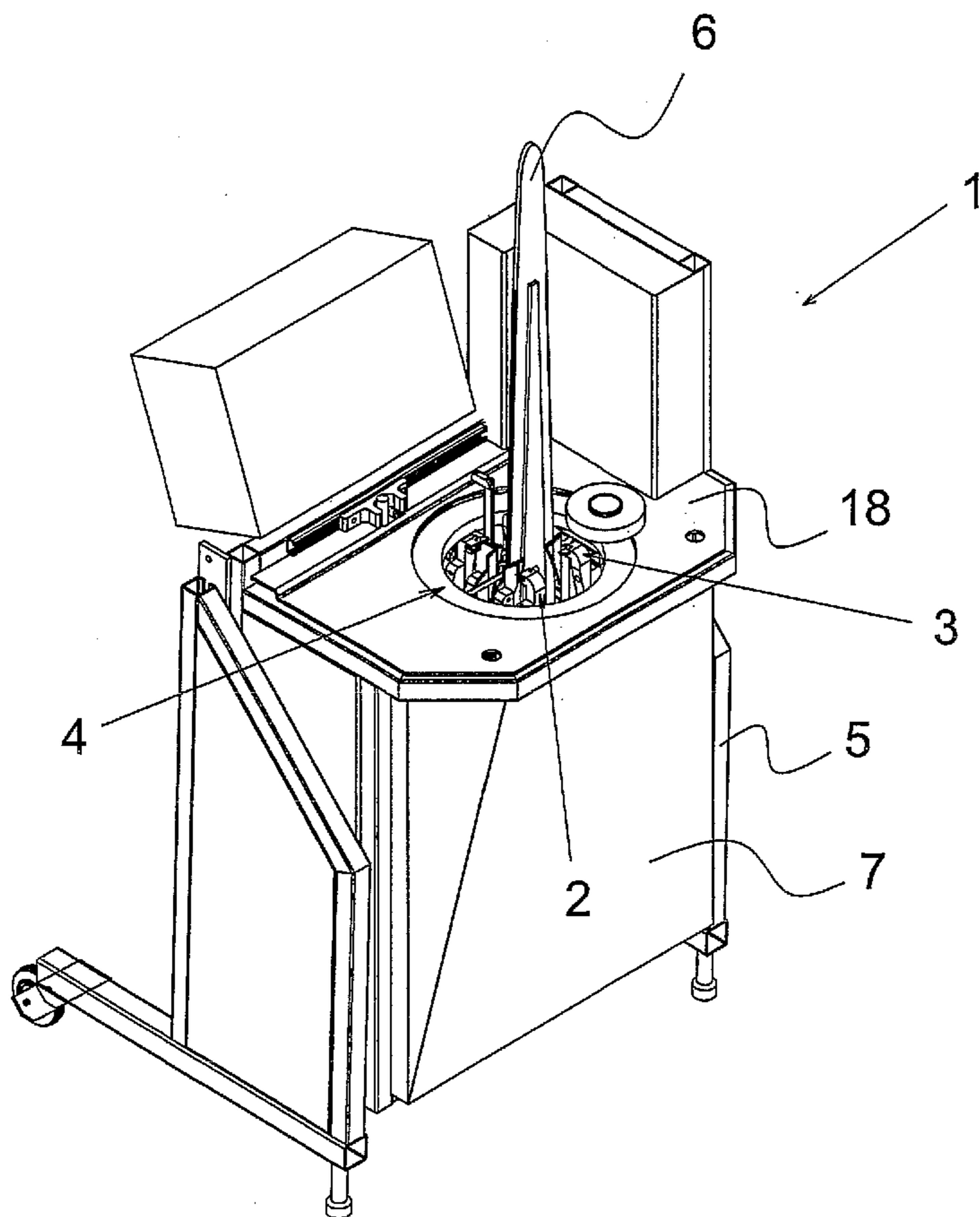
PCT

(10) International Publication Number
WO 2005/080607 A1

- (51) International Patent Classification⁷: C14B 15/06 (74) Agent: PATRADE A/S; Fredens Torv 3A, DK-8000 Århus C (DK).
- (21) International Application Number: PCT/DK2005/000120 (81) Designated States (unless otherwise indicated, for every kind of national protection available): AE, AG, AL, AM, AT, AU, AZ, BA, BB, BG, BR, BW, BY, BZ, CA, CH, CN, CO, CR, CU, CZ, DE, DK, DM, DZ, EC, EE, EG, ES, FI, GB, GD, GE, GH, GM, HR, HU, ID, IL, IN, IS, JP, KE, KG, KP, KR, KZ, LC, LK, LR, LS, LT, LU, LV, MA, MD, MG, MK, MN, MW, MX, MZ, NA, NI, NO, NZ, OM, PG, PH, PL, PT, RO, RU, SC, SD, SE, SG, SK, SL, SY, TJ, TM, TN, TR, TT, TZ, UA, UG, US, UZ, VC, VN, YU, ZA, ZM, ZW.
- (22) International Filing Date: 23 February 2005 (23.02.2005)
- (25) Filing Language: Danish
- (26) Publication Language: English
- (30) Priority Data:
PA 2004 00290 24 February 2004 (24.02.2004) DK
- (71) Applicant (for all designated States except US): 4M GLOBE MANAGEMENT LTD [GB/GB]; 823 Salisbury House, 29 Finsbury Circus, London EC2M 5QQ (GB).
- (72) Inventor; and
- (75) Inventor/Applicant (for US only): SIIG, Peter [DK/DK]; Ømosevej 12, DK-8643 Ans By (DK).
- (84) Designated States (unless otherwise indicated, for every kind of regional protection available): ARIPO (BW, GH, GM, KE, LS, MW, MZ, NA, SD, SL, SZ, TZ, UG, ZM, ZW), Eurasian (AM, AZ, BY, KG, KZ, MD, RU, TJ, TM), European (AT, BE, BG, CH, CY, CZ, DE, DK, EE, ES, FI, FR, GB, GR, HU, IE, IS, IT, LT, LU, MC, NL, PL, PT, RO,

[Continued on next page]

(54) Title: METHOD AND APPARATUS FOR FASTENING FUR ON A PELTING BOARD AND WINDING MATERIAL THEREFORE



(57) Abstract: The present invention concerns a method for fixing a fur on a pelting board (6) which is temporarily held in a pelting board holder (2), where the fur is put on the pelting board (6), where end parts of the fur are retained in a fur holder (3), and where the fur is stretched on the pelting board (6) to a desired length, where preferably the end part of the fur is fixed on the pelting board (6) by winding with a winding material (13), such as a band. The present invention furthermore concerns an apparatus (1) for securing a fur on a pelting board (6) according to the method in claim 1, where the apparatus (1) includes a pelting board holder (2), a fur holder (3) and a band winding unit (4), and where the band winding unit (4) is arranged for moving around the pelting board holder (2).

WO 2005/080607 A1

WO 2005/080607 A1



SE, SI, SK, TR), OAPI (BF, BJ, CF, CG, CI, CM, GA, GN, GQ, GW, ML, MR, NE, SN, TD, TG).

For two-letter codes and other abbreviations, refer to the "Guidance Notes on Codes and Abbreviations" appearing at the beginning of each regular issue of the PCT Gazette.

Published:

— *with international search report*

P14831PCA
20.04.2006/NHG

Fastening fur on a pelting board

5

Scope of the Invention

The present invention concerns a method for securing a fur on a pelting board which is temporarily fastened in a pelting board holder, where the fur is put on the pelting board, where end parts of the fur are retained in a fur holder, and where the fur is stretched on the pelting board to a desired length.

10

The invention furthermore concerns an apparatus for fixing a fur on a pelting board according to the above method.

15

Background of the Invention

During treatment, a fur is put on a pelting board in order that the fur may be dried and stretched to the desired length, after which the fur is ready for storage and selling.

20

It is important that the fur is stretched to a certain length, as the length of the fur determines the price the fur farmer can obtain for the fur at an auction.

When the fur is put on a pelting board and stretched, it is important to fix the fur to the pelting board so that the fur keeps the wanted length during and after drying.

25

The fixing may be done in different ways, for example:

- Staples are used which are shot through a lower end part of the fur and into the pelting board. However, this has the disadvantage of holes being produced in the fur, reducing the quality and the number of applications of the fur.

30

- Cover bags with holes are used where the cover bag is provided with an elastic lower edge squeezing around a lower end part of the fur. However, this has the

Replacement sheets 20.04.2006

30932-2

2

disadvantage that the lower elastic edge is to be very strong in order to produce a squeezing force large enough to fix the fur on the pelting board, causing increased expenses for making the cover bag.

- Cover bags with holes are used, where the cover bag may be provided
5 with a lower edge which is crimped by heat. However, this implies the disadvantage that the lower edge is to be made of a material that may endure a strong heating while at the same time the heating of the lower edge of the cover bag may damage the fur side of the fur. This will cause the fur to be depreciated in quality, and that a heating process is to be established in the drying phase, a fact which may increase
10 the costs of treating the fur.

- A combination of the above possibilities may be applied.

Furthermore, it is to be noted that e.g. a cover bag deformed at the lower edge, either by heat crimping or by using staples, can only be used once, entailing a continuing expense for cover bags and a large amount of waste to be removed by fur farmers.

15 An advantage of using a cover bag is, however, that possible fat residues sitting on the fur side of the fur are sucked into the cover bag during the drying process and is removed when the cover bag is pulled off the fur/pelting board. By thorough cleaning of the fur side of the fur before the drying process, the advantage of using cover bags is considerably reduced.

20 **Object of Some Embodiments of the Invention**

It is the purpose of some embodiments of the present invention to indicate a method for fixing a fur on a pelting board, where the fixing occurs in a simple and easy way without damaging the quality of the fur.

The end part of the fur may be fixed on the pelting board by winding with a winding
25 material such as a band.

30932-2

3

A further object of some embodiments of the invention is to indicate an apparatus that may fix at least an end part of a fur in a simple and easy way without damaging the fur.

The apparatus may comprise a pelting board holder, a fur holder and a band winding unit, and the band winding unit may be adapted to move around the pelting board holder.

Description of the Invention

After skinning a fur animal and scraping and turning the fur, the fur is to be cleaned, dried and possibly softened before it can be sold.

- 10 The drying process occurs by the pelting board being put on a pelting board, after which air is blown through the fur. In order to ensure that the pelting board remains on the pelting board during the drying process, it is important that at least part of the fur becomes fixed to the pelting board, so that air does not loosen the fur from the pelting board and the fur dries in wrong shape.
- 15 In order to prevent the dried fur from having wrong shape after the drying process, the pelting board is designed with the wanted shape, which is typically a board where the width increases downwards.

Since the fur farmer, as mentioned, is rewarded for producing long furs, it is important that the fur is stretched to the desired length. The fur is therefore put on a pelting board which is temporarily fastened in a pelting board holder, and where an end part of the fur is retained in a fur holder gripping the end part and pulling the fur in the longitudinal direction of the pelting board, until the fur attains a desired length.

In order to ensure that the fur keeps this length during the drying process, the fur is to be fixed to the pelting board, which according to the present invention is achieved in that preferably the end part of the fur is fixed on the pelting board by winding with a winding material, such as a band.

5

The winding material is wound tightly around the end part so that the fur is prevented from creeping back to the original length.

10

By using a winding material for fixing the fur where the winding material is only wound around an end part of the fur, an optimal air flow through the fur is ensured, and the drying process can be performed rapidly and more cheaply, as the same amount of air, or air with high temperature, is not required for achieving a satisfactory result.

15

In order to perform winding a winding material around an end part of the fur, the present invention indicates an apparatus which includes a pelting board holder, a fur holder and a band winding unit, and where the band winding unit is arranged for moving around the pelting board holder.

20

The pelting board is held temporarily in the pelting board holder while the fur is stretched to desired length, and while the winding material is wound about an end part of the fur, so that it becomes fixed to the pelting board, after which the pelting board with the fur is released from the pelting board holder and put into a drying stand and moved into a drying chamber or blown through with air.

25

In order to stretch the fur to desired length, the apparatus is provided with a fur holder that grips the fur and stretches the fur in the longitudinal direction of the pelting board, so that the fur bears against the pelting board and thereby achieves the same shape as the pelting board which is shaped as a staff with increasing width.

30

In order to wind the winding material around an end part of the fur, the apparatus is provided with a band winding unit which is arranged to move around the pelting board holder, whereby the winding material is unrolled and is wound on the pelting board with the fur, and thereby a part of the fur is fixed to the pelting board.

5

The winding material will typically be wound around the end part of the fur disposed at the broad end of the pelting board, so that it is ensured that the entire fur is kept extended during the drying process.

10 In order that the winding material can be unrolled and subsequently wound around the end part of the fur, the band winding unit includes a supply reel which is arranged on a guide ring of the band winding unit.

15 The winding material is e.g. a band which is rolled up on the supply reel, so that there is sufficient winding material on the supply reel for winding a large number of furs.

The supply reel is arranged on a guide ring, which in a preferred embodiment of the present invention surrounds the pelting board and may rotate, causing the supply reel with the winding material to move around the pelting board with the fur.

20

The guide ring is rotated by means of a motor which is drivingly connected with the guide ring via a number of drive wheels that have a side part engaging a side part of the guide ring.

25 In order to ensure stable rotation of the guide ring, there is a number of guide wheels besides the drive wheels and which, just like the drive wheels, have a side part engaging a side part of the guide ring.

30 The winding of the winding material is effected in that the winding material is pressed inwards against the fur, after which the guide ring initiates its rotation, whereby the

supply reel is moved around the pelting board, and the winding material is unrolled from the supply reel and is wound around upon the fur.

5 Locking of the first layer of winding material is effected by at least the next layer of the winding material is wound tightly around the first layer of winding material. A secure locking of winding material typically occurs by repeated winding with winding material.

10 As a large squeezing force is needed for fixing the end part of the fur to the pelting board and to prevent the fur from contracting again, the supply reel is provided with a brake, e.g. a friction brake, which provides for holding the winding material tight all the time while winding it around the fur.

15 The brake may furthermore be used when the winding of the winding material is to stop, as locking of the supply reel simultaneously with continued rotation of the guide ring causes the winding material to be stretched and thereby locked on itself, after which the winding material may be cut, or alternatively broken by continued rotation of the guide ring.

20 In an alternative embodiment of the present invention, the band winding unit is displaceably arranged in relation to the pelting board holder and in the longitudinal direction of the pelting board. This means that it is possible after a first fixing of a lower end part of the fur to move the band winding unit along the length of the pelting board, whereby other parts of the fur, e.g. the tail of the fur, are fixed to the pelting
25 board, whereby there is achieved a better fixing of the fur to the pelting board and great reduction of the risk of loosely hanging parts of the pelting board becoming wound into other furs or torn off or damaged in succeeding treating processes.

30 The fur holder is adapted to interact with the pelting board holder in order to stretch the fur to the desired length, therefore the fur holder is arranged displaceably in relation to the pelting board holder and in the longitudinal direction of the pelting

board, so that when the pelting board is secured in the pelting board holder, it stand in a stationary position while the fur holder is moved in the longitudinal direction of the pelting board, and thereby an attached fur is stretched beyond the pelting board.

5 In order to ensure that the fur is stretched down around the pelting board, the lower end part of the fur is gripped and pulled downwards so that the fur is made longer and adapts to the shape of the pelting board. In order to grip the lower end part of the fur, the fur holder includes a number of grippers for securing the fur.

10 These grippers are disposed at both sides of the pelting board holder and are typically disposed in pairs, so that a uniform downwards pull in the fur is achieved, whereby there may be achieved the greatest length increase and the most uniform shape, simultaneously with the quality of the fur being maintained.

15 In order to ensure that the winding material may fix the fur on the pelting board during the entire drying process, it is constituted by an elastic winding material with ability to lock on itself in stretched condition.

20 As the winding material only will have a locking action when in contact with itself, it will not damage the fur side of the fur by adherence to the fur side and thereby increase the risk of a single fur hair being ripped off when the winding material is removed, and thereby destroy the fur side of the fur.

25 As the winding material may lock on itself in stretched condition, it is possible to fix a fur on a pelting board by winding the winding material at least once around the pelting board and then stretch the last layer of the winding material down against an underlying layer, whereby the two layers interlock, and it is possible to sever/shear the winding material.

30 In order to ensure efficient fixing of the fur, the winding material is typically wound around the pelting board at least twice.

As the winding material only locks on itself in stretched condition and does not adhere to the fur side or other surfaces, it is easy to remove the winding material when the fur is dried and taken off the pelting board. The winding material may e.g. be severed or
5 torn without damaging the fur.

In an alternative embodiment of the present invention, the winding material is constituted by a stretchable winding material and a fixing means, where the winding material is wound preferably tightly and at least once around the pelting board, and the
10 fixing means retains the winding material. In order to remove the stretchable winding material, either the fixing means is removed or the stretchable winding material is broken.

For example, the fixing means may be constituted by tape or glue that secures an end
15 part of the stretchable winding material down against an underlying layer of the stretchable winding material.

The elastic winding material is e.g. a band, a film or the like having a width greater than the thickness of the winding material. The width may vary between 2 mm and
20 1000 mm, and typically there will be applied winding material with a width between 30 and 70 mm.

The stretchable winding material is e.g. a band, a cord or the like having a width enabling fixing of the first layer of the winding material by winding several layers of
25 the winding material.

Alternatives to an elastic and/or stretchable winding material is e.g. strips or Velcro-bands, whereby the fur becomes fixed to the pelting board during the succeeding treating processes, and the fur may readily be released from the pelting board again.

30932-2

9

The apparatus may be fully automatic so that the entire process, right from securing the pelting board in the pelting board holder and winding the winding material around the fur, occurs in a continuous process.

Alternatively, the apparatus can be operated manually, so that one person is to
5 activate the various subprocesses, as for example:

- mounting the pelting board in the pelting board holder;
- extending the fur with the fur holder; and
- winding the winding material.

The apparatus may be used for any kind of fur animal, where the fur is put on a
10 pelting board for drying, the fur animal e.g. being a mink, a fox, a sable, a marten or the like.

According to an aspect of the invention, there is provided a method for securing a fur on a pelting board which is shaped as a staff with increased width and is fastened in a pelting board holder, where the fur is put on the pelting board, where end parts of
15 the fur disposed at the broad end of the pelting board are retained in a fur holder that grips the fur and stretches the fur in the longitudinal direction of the pelting board, and where the fur is stretched on the pelting board to a desired length, wherein said end parts of the fur are fixed on the pelting board by winding with a winding material such as a band.

20 According to an aspect of the invention, there is provided an apparatus for fixing a fur on a pelting board as described above, comprising a pelting board holder, a fur holder and a band winding unit, and where the band winding unit is arranged for moving around the pelting board holder.

30932-2

9a

Short Description of the Drawing

The invention will now be explained more closely with reference to the accompanying drawing, where:

Fig. 1 shows an apparatus according to the invention,

5 Fig. 2 shows a close-up view of the apparatus, and

Fig. 3 shows a detail view of a band winding system according to the invention.

Detailed Description of the Invention

Fig. 1 shows an apparatus 1 that includes a pelting board holder 2, a fur holder 3 and a band winding unit 4 mounted in a frame 5 that elevates the apparatus 1 to an
10 appropriate working level. A pelting board 6 is shown secured in the pelting board holder 2. The rotating parts of the band winding unit 4 are guarded with a guard 7 and a table top 18, whereby it is safe for a person (not shown) to stand at the apparatus 1 and operate it.

Fig. 2 shows how a pelting board 6 is secured by the pelting board holder 2, and that
15 the fur holder 3 is provided with a number of grippers 11 for fixing a fur (not shown) to the pelting board 6. The band winding unit 4 is covered by the table top 18 so that

10

an opening 19 admit access to the pelting board holder 2 and the fur holder 3 which are surrounded by a guide ring 10, on which there is provided a supply reel 12 with a winding material 13. Associated with the opening 19/pelting board holder 2/fur holder 3 there is provided a holding device 17 used in winding the winding material 13.

5

The holding device 17 is arranged stationarily in relation to the guide ring 10 but may be displaced in longitudinal direction of the pelting board, so that the holding device 17 in a first position allows insertion of an end part of the winding material 13, while in a second lowered position it allows retention of the winding material 13 and simultaneously allows the supply reel 12 to pass by the holding device 17. The holding device 17 may be designed with a cutting unit in the shape of a pair of scissors, a knife or similar.

10

Fig. 3 shows a detail of a band winding unit 4, including a guide ring 10 which surrounds the pelting board holder 2 and the grippers 11 of the fur holder 3. The guide ring 10 is connected with a supply reel 12 on which the winding material 13 is wound on and drivingly connected to a motor 14 via driving wheels 15. Rotation of the guide ring 10 is furthermore stabilised with guide rollers 16.

15
20

30932-2

11

CLAIMS:

1. A method for securing a fur on a pelting board which is shaped as a staff with increased width and is fastened in a pelting board holder, where the fur is put on the pelting board, where end parts of the fur disposed at the broad end of the pelting board are retained in a fur holder that grips the fur and stretches the fur in the longitudinal direction of the pelting board, and where the fur is stretched on the pelting board to a desired length, wherein said end parts of the fur are fixed on the pelting board by winding with a winding material such as a band.
2. An apparatus for fixing a fur on a pelting board according to the method of claim 1, comprising a pelting board holder, a fur holder and a band winding unit, and where the band winding unit is arranged for moving around the pelting board holder.
3. Apparatus according to claim 2, wherein said band winding unit includes a supply reel arranged on a guide ring of said band winding unit.
4. Apparatus according to claim 3, wherein said supply reel is provided with a brake.
5. Apparatus according to claim 2, wherein said band winding unit is arranged displaceably in relation to the pelting board holder and in the longitudinal direction of the pelting board.
6. Apparatus according to claim 2, wherein said fur holder is arranged displaceably in relation to the pelting board holder and in the longitudinal direction of the pelting board.
7. Apparatus according to claim 6, wherein said fur holder includes a number of grippers for retaining the fur.

1/3

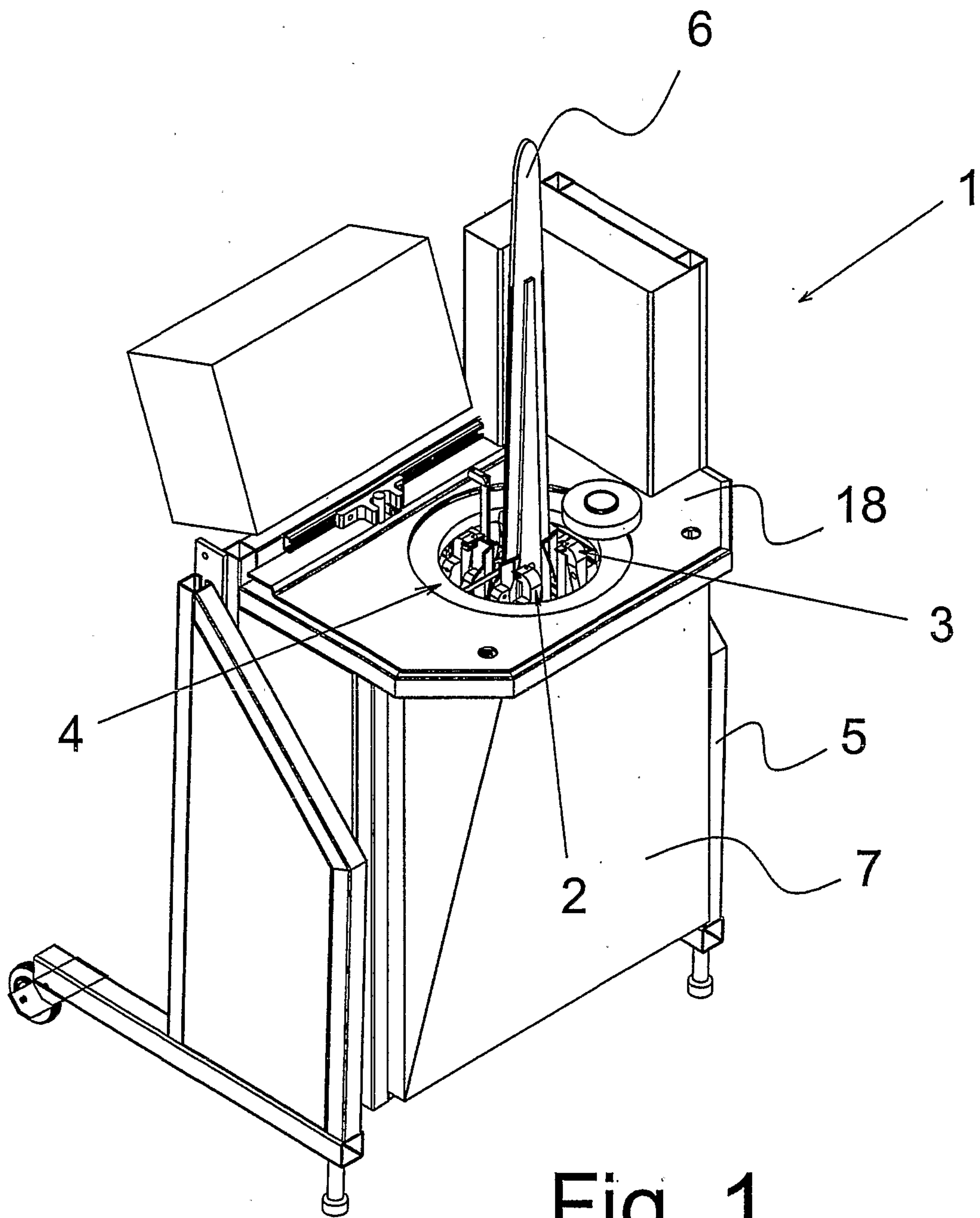


Fig. 1

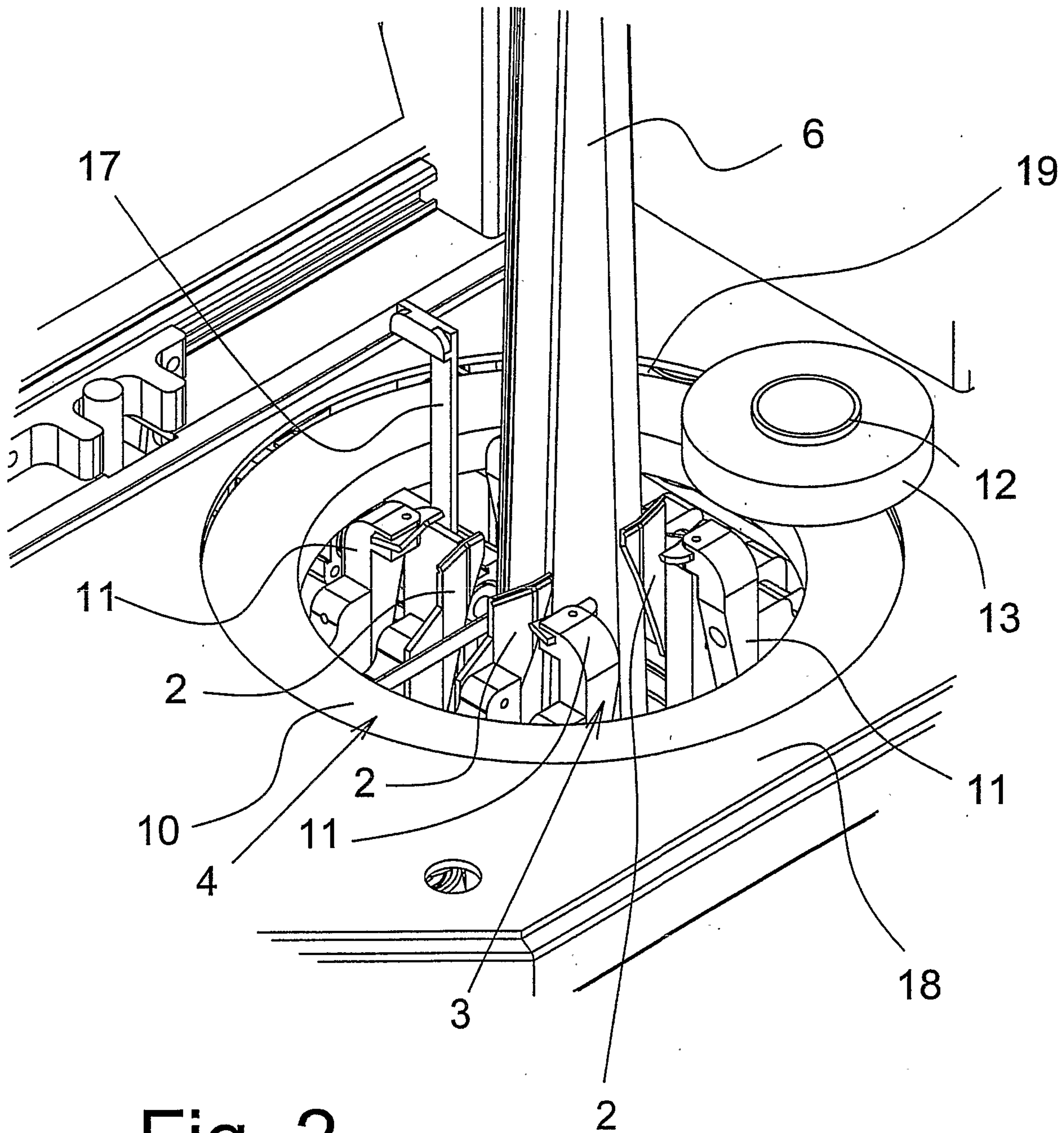


Fig. 2

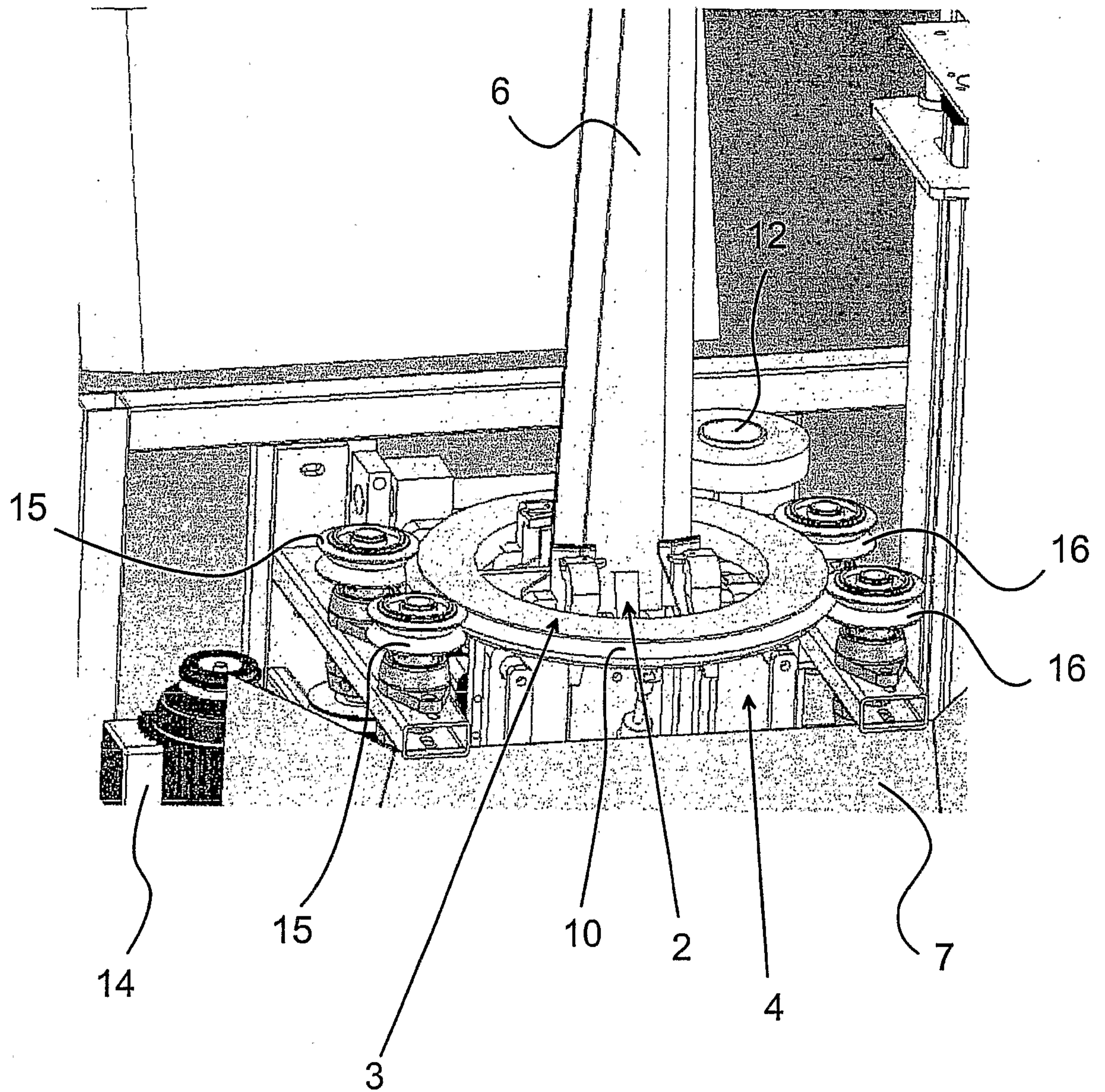


Fig. 3

