



- (51) **International Patent Classification:**
G01J 1/04 (2006.01)
- (21) **International Application Number:**
PCT/US2010/052990
- (22) **International Filing Date:**
18 October 2010 (18.10.2010)
- (25) **Filing Language:** English
- (26) **Publication Language:** English
- (30) **Priority Data:**
12/581,568 19 October 2009 (19.10.2009) US
- (71) **Applicant (for all designated States except US):** IPG PHOTONICS CORPORATION [US/US]; 50 Old Webster Road, Oxford, MA 01540 (US).
- (72) **Inventors; and**
- (75) **Inventors/Applicants (for US only):** MAMIN, Alexey [DE/DE]; IPG Photonics Corporation, 50 Old Webster Road, Oxford, MA 01540 (US). ZUEV, Vladimir [DE/DE]; IPG Photonics Corporation, 50 Old Webster Road, Oxford, MA 01540 (US).
- (74) **Agent:** KATESHOV, Yuri; IPG Photonics Corporation, 50 Old Webster Road, Oxford, MA 01540 (US).
- (81) **Designated States (unless otherwise indicated, for every kind of national protection available):** AE, AG, AL, AM,

AO, AT, AU, AZ, BA, BB, BG, BH, BR, BW, BY, BZ, CA, CH, CL, CN, CO, CR, CU, CZ, DE, DK, DM, DO, DZ, EC, EE, EG, ES, FI, GB, GD, GE, GH, GM, GT, HN, HR, HU, ID, IL, IN, IS, JP, KE, KG, KM, KN, KP, KR, KZ, LA, LC, LK, LR, LS, LT, LU, LY, MA, MD, ME, MG, MK, MN, MW, MX, MY, MZ, NA, NG, NI, NO, NZ, OM, PE, PG, PH, PL, PT, RO, RS, RU, SC, SD, SE, SG, SK, SL, SM, ST, SV, SY, TH, TJ, TM, TN, TR, TT, TZ, UA, UG, US, UZ, VC, VN, ZA, ZM, ZW.

- (84) **Designated States (unless otherwise indicated, for every kind of regional protection available):** ARIPO (BW, GH, GM, KE, LR, LS, MW, MZ, NA, SD, SL, SZ, TZ, UG, ZM, ZW), Eurasian (AM, AZ, BY, KG, KZ, MD, RU, TJ, TM), European (AL, AT, BE, BG, CH, CY, CZ, DE, DK, EE, ES, FI, FR, GB, GR, HR, HU, IE, IS, IT, LT, LU, LV, MC, MK, MT, NL, NO, PL, PT, RO, RS, SE, SI, SK, SM, TR), OAPI (BF, BJ, CF, CG, CI, CM, GA, GN, GQ, GW, ML, MR, NE, SN, TD, TG).

Published:

- with international search report (Art. 21(3))
- before the expiration of the time limit for amending the claims and to be republished in the event of receipt of amendments (Rule 48.2(h))

- (88) **Date of publication of the international search report:**
28 July 2011

(54) **Title:** ASSEMBLY FOR MONITORING POWER OF RANDOMLY POLARIZED LIGHT

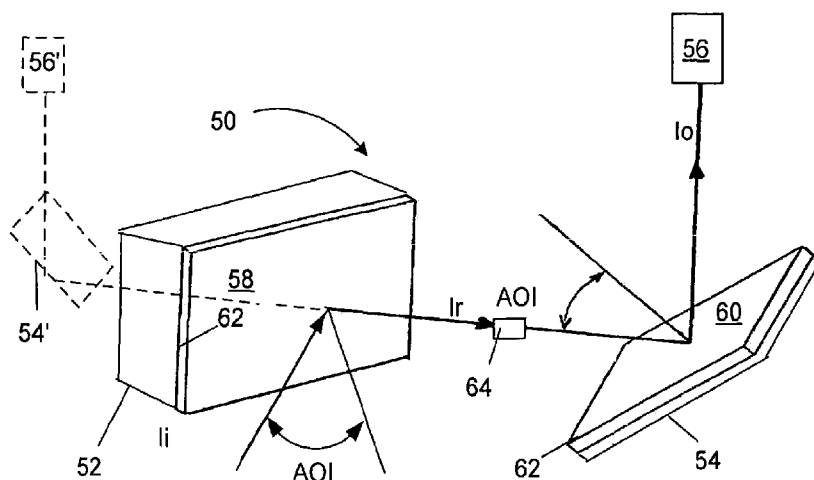


FIG. 4

(57) **Abstract:** A unit for measuring a power of randomly polarized light beam is configured with spaced first and second beam splitters having respective reflective surfaces which face one another and configured to sequentially reflect a fraction of randomly polarized beam which is incident upon the first splitter. The beam splitters are dimensioned and shaped so that an output beam, reflected from the second beam splitter, has a power independent from the state of polarization of the randomly polarized beam.



A. CLASSIFICATION OF SUBJECT MATTER*G01J 1/04(2006.01)i*

According to International Patent Classification (IPC) or to both national classification and IPC

B. FIELDS SEARCHED

Minimum documentation searched (classification system followed by classification symbols)

G01J 1/04; B23K 26/06; A61N 5/06; A61B 17/36; G02B 27/28

Documentation searched other than minimum documentation to the extent that such documents are included in the fields searched

Korean utility models and applications for utility models

Japanese utility models and applications for utility models

Electronic data base consulted during the international search (name of data base and, where practicable, search terms used)

eKOMPASS(KIPO internal) & Keywords: "ISOLATOR," "SPLITTER," "RANDOM," "POLARIZATION," "RETARDATION" AND "HALF-WAVE"

C. DOCUMENTS CONSIDERED TO BE RELEVANT

Category*	Citation of document, with indication, where appropriate, of the relevant passages	Relevant to claim No.
X	JP 05-317328 A (TOPCON CORP.) 03 December 1993	1-3,4,5,7,9,19,20
Y	See abstract; figures 1-3; paragraph [07], paragraph [12]- paragraph [18]	10,11-17
Y	JP 2003-287713 A (SHIN ETSU CHEM CO., LTD.) 10 October 2003 See abstract; figures 1-4; paragraph [9]- paragraph [32]	10,11-17
A	JP 07-009181 A (HITACHI LTD.) 13 January 1995 See abstract; figures 1-4; claims 1-4	1-5,7,9-20
A	JP 02-055313 A (FUJITSU LTD.) 23 February 1990 See abstract; figures 1, 3; claims 1-2	1-5,7,9-20
A	JP 10-048570 A (SHIN ETSU CHEM CO. LTD.,) 20 February 1998 See abstract; figures 1-3; claims 1-8	1-5,7,9-20

 Further documents are listed in the continuation of Box C. See patent family annex.

* Special categories of cited documents:

"A" document defining the general state of the art which is not considered to be of particular relevance

"E" earlier application or patent but published on or after the international filing date

"L" document which may throw doubts on priority claim(s) or which is cited to establish the publication date of citation or other special reason (as specified)

"O" document referring to an oral disclosure, use, exhibition or other means

"P" document published prior to the international filing date but later than the priority date claimed

"T" later document published after the international filing date or priority date and not in conflict with the application but cited to understand the principle or theory underlying the invention

"X" document of particular relevance; the claimed invention cannot be considered novel or cannot be considered to involve an inventive step when the document is taken alone

"Y" document of particular relevance; the claimed invention cannot be considered to involve an inventive step when the document is combined with one or more other such documents, such combination being obvious to a person skilled in the art

"&" document member of the same patent family

Date of the actual completion of the international search

30 MAY 2011 (30.05.2011)

Date of mailing of the international search report

30 MAY 2011 (30.05.2011)

Name and mailing address of the ISA/KR

Korean Intellectual Property Office
Government Complex-Daejeon, 189 Cheongsa-ro,
Seo-gu, Daejeon 302-701, Republic of Korea

Facsimile No. 82-42-472-7140

Authorized officer

Cho Sung Chan

Telephone No. 82-42-481-8462



INTERNATIONAL SEARCH REPORT

Information on patent family members

International application No.

PCT/US2010/052990

Patent document cited in search report	Publication date	Patent family member(s)	Publication date
JP 05-317328 A	03.12.1993	None	
JP 2003-287713 A	10.10.2003	US 2003-0184861 A1	02.10.2003
JP 07-009181 A	13.01.1995	None	
JP 02-055313 A	23.02.1990	None	
JP 10-048570 A	20.02.1998	None	