

(12) **United States Design Patent**
Eisenberg

(10) **Patent No.:** **US D831,752 S**
(45) **Date of Patent:** **** Oct. 23, 2018**

- (54) **MECHANICAL CONNECTION UNIT**
- (71) Applicant: **Jacob Eisenberg**, Suffern, NY (US)
- (72) Inventor: **Jacob Eisenberg**, Suffern, NY (US)
- (**) Term: **15 Years**
- (21) Appl. No.: **29/562,137**
- (22) Filed: **Apr. 22, 2016**
- (51) **LOC (11) Cl.** **21-01**
- (52) **U.S. Cl.**
USPC **D21/504**
- (58) **Field of Classification Search**
USPC D21/333, 373, 386, 389, 404, 468, 470,
D21/471, 475, 478, 479, 484-505;
446/69, 85, 102-128; D3/304, 314;
D24/101; D25/113, 118
- CPC A63H 33/04; A63H 33/06; A63H 33/062;
A63H 33/08; A63H 33/084; A63H
33/088; A63F 9/0826; A63F 9/0842;
A63F 9/0846; A63F 2003/00813
- See application file for complete search history.

- 4,323,244 A * 4/1982 Busing A63F 9/12
156/73.1
- 4,323,245 A * 4/1982 Beaman A63F 9/1288
273/157 R
- 4,522,404 A * 6/1985 Di Gregorio A63H 33/04
273/157 R
- 4,676,507 A * 6/1987 Patterson A63F 9/12
273/160
- 4,753,622 A * 6/1988 Nakama E04B 2/12
446/85
- D304,215 S * 10/1989 Knudsen D21/504
- D313,437 S * 1/1991 Andersen D21/495
- 5,169,352 A * 12/1992 Petersen A63H 33/04
446/117
- D335,156 S * 4/1993 Knudsen D21/504
- D335,162 S * 4/1993 Knudsen D21/505

(Continued)

Primary Examiner — Cynthia M. Chin
(74) *Attorney, Agent, or Firm* — Jon E. Gordon; Haug
Partners LLP

(57) **CLAIM**

The ornamental design for a mechanical connection unit, as shown and described.

DESCRIPTION

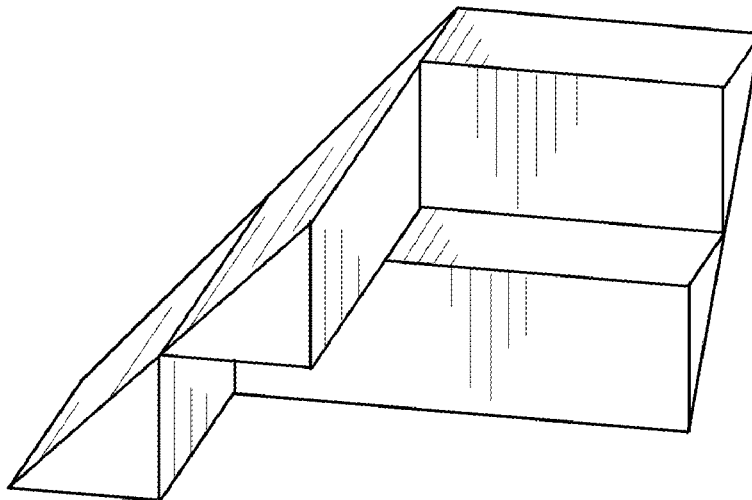
FIG. 1 is a top right perspective view of a mechanical connection unit according to my design; FIG. 2 is an upper front perspective view thereof; FIG. 3 is an upper right perspective view thereof; FIG. 4 is a left top perspective view thereof; FIG. 5 is an upper left perspective view thereof; FIG. 6 is an upper rear perspective view thereof; FIG. 7 is a top plan view thereof; FIG. 8 is a front elevation view thereof; FIG. 9 is a right elevation view thereof; FIG. 10 is a bottom plan view thereof; FIG. 11 is a left elevation view thereof; and, FIG. 12 is a rear elevation view thereof.

1 Claim, 4 Drawing Sheets

(56) **References Cited**

U.S. PATENT DOCUMENTS

- 1,621,178 A * 3/1927 Strub A63H 33/04
446/85
- 2,216,915 A * 10/1940 Johnson A63F 9/12
273/157 R
- 4,121,831 A * 10/1978 Greene A63F 9/12
273/160
- 4,133,538 A * 1/1979 Ambrose A63F 3/00
273/157 R
- 4,197,669 A * 4/1980 Hynes A63H 33/084
446/125
- 4,310,994 A * 1/1982 Gephardt E04B 2/12
52/608
- 4,317,654 A * 3/1982 Wahl G09B 23/04
434/211



(56)

References Cited

U.S. PATENT DOCUMENTS

5,221,223 A * 6/1993 Kao A63H 33/06
446/124
6,186,856 B1 * 2/2001 Chen A63H 33/04
446/117
7,063,587 B1 * 6/2006 Lin A63H 33/086
273/156
D641,053 S * 7/2011 Sidenius D21/494
D641,055 S * 7/2011 Andersen D21/484
D739,896 S * 9/2015 Peker D21/479
D784,709 S * 4/2017 Katav D11/131
9,662,593 B2 * 5/2017 Eisenberg A63H 33/06
9,737,826 B2 * 8/2017 Cheng A63H 33/086

* cited by examiner

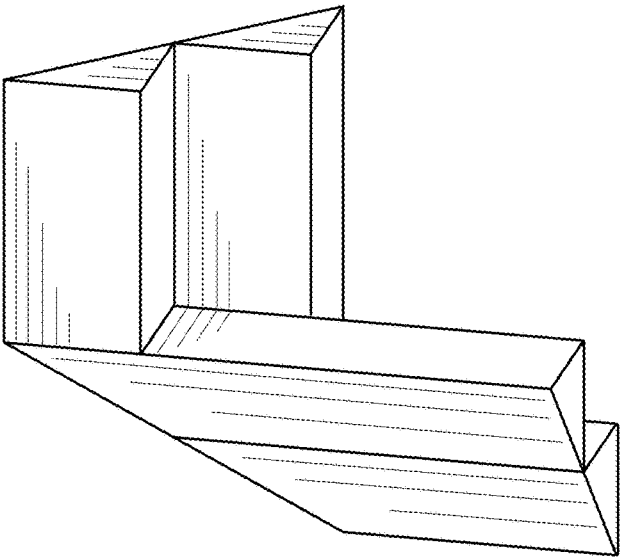


Fig. 1

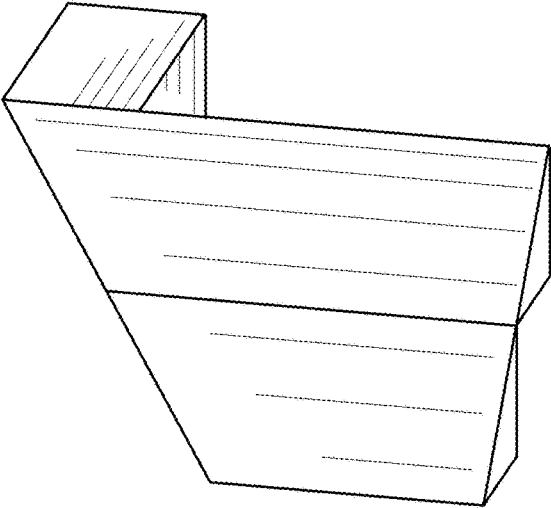


Fig. 2

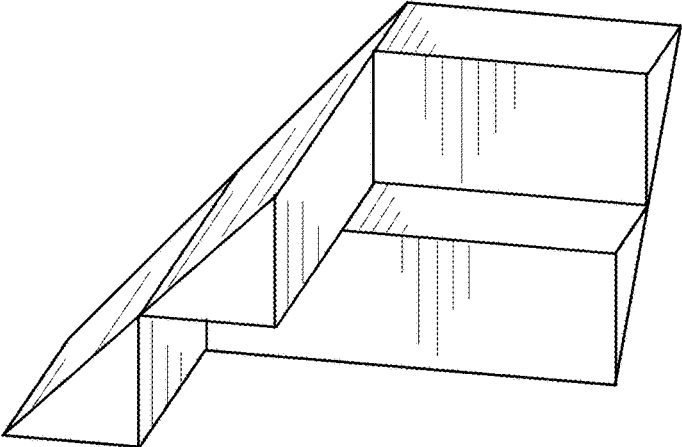


Fig. 3

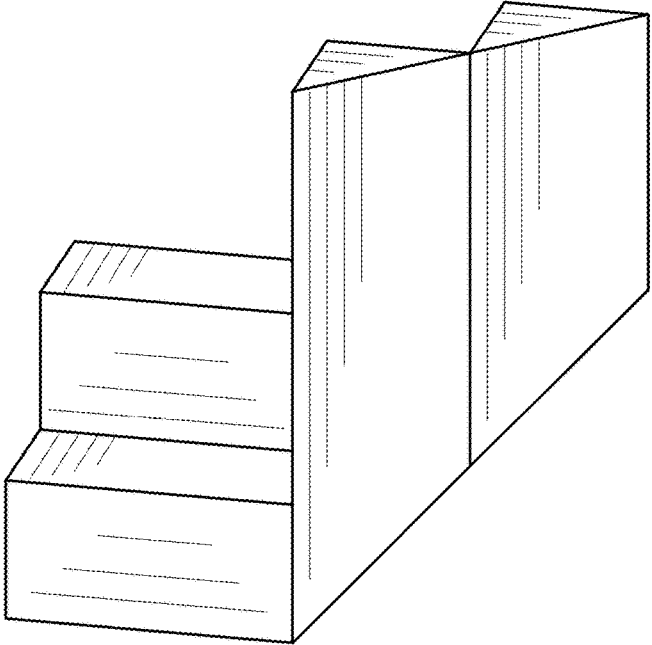


Fig. 4

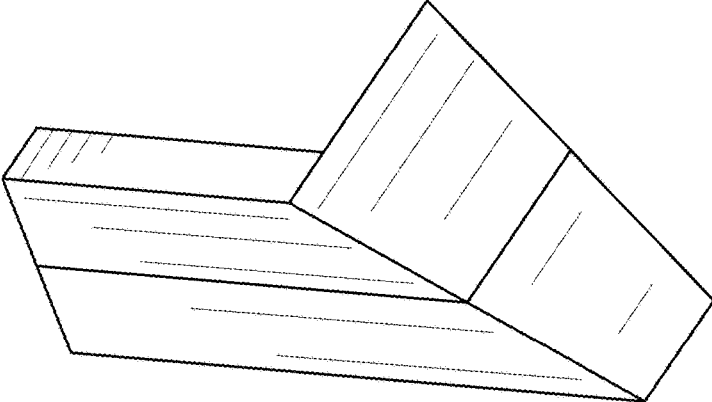


Fig. 5

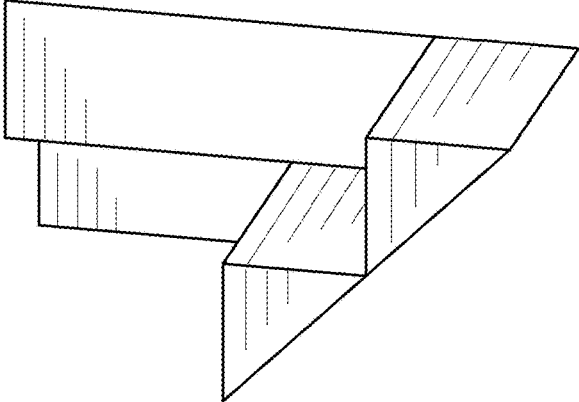


Fig. 6

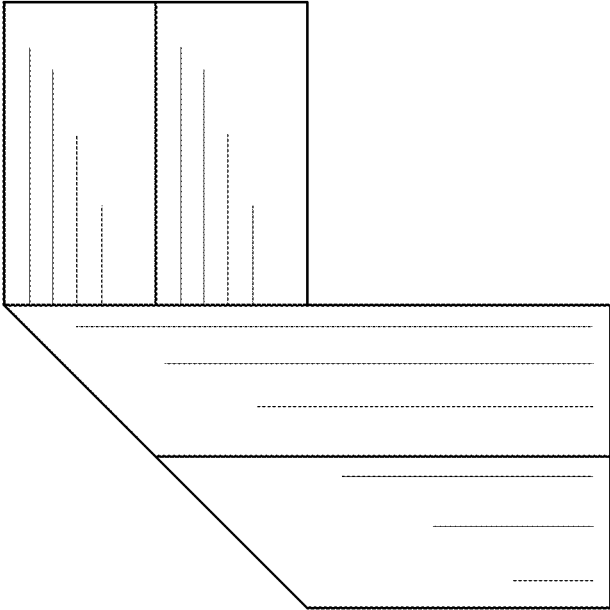


Fig. 7

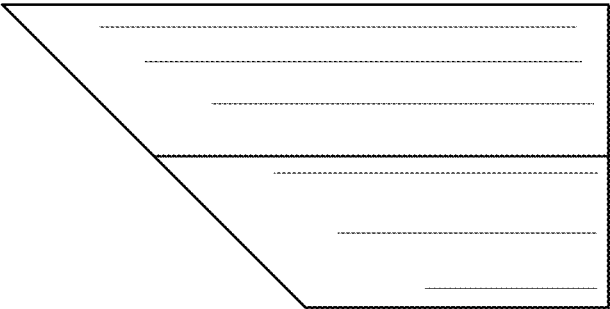


Fig. 8

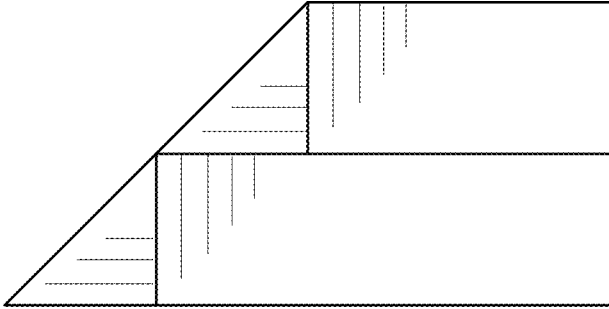


Fig. 9

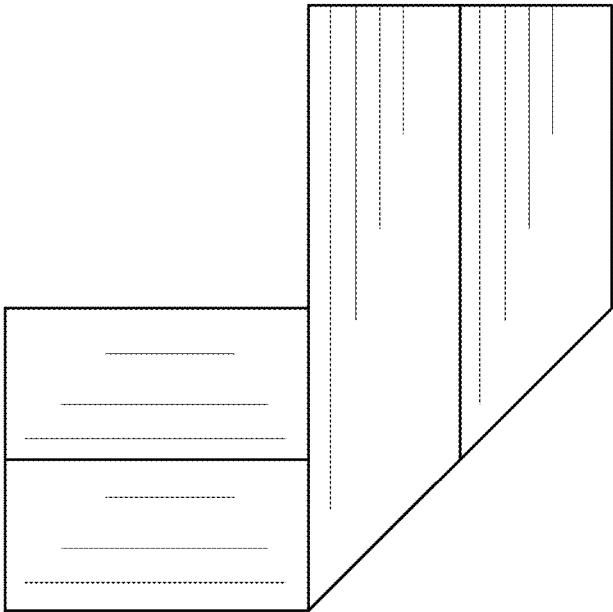


Fig.10

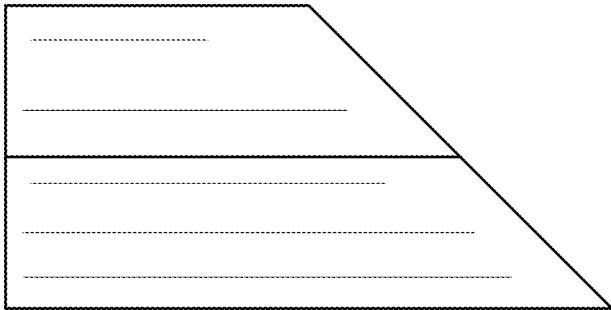


Fig.11

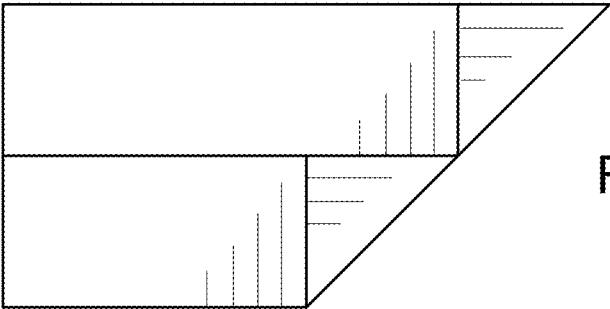


Fig.12