

(19) World Intellectual Property Organization
International Bureau



(43) International Publication Date
5 October 2006 (05.10.2006)

PCT

(10) International Publication Number
WO 2006/104697 A3

- (51) International Patent Classification:
G01N 3/20 (2006.01)
- (21) International Application Number:
PCT/US2006/009430
- (22) International Filing Date: 16 March 2006 (16.03.2006)
- (25) Filing Language: English
- (26) Publication Language: English
- (30) Priority Data:
11/088,927 25 March 2005 (25.03.2005) US
- (71) Applicant (for all designated States except US): HUBER ENGINEERED WOODS LLC [US/US]; ONE RESOURCE SQUARE, 10925 David Taylor Drive, Charlotte, North Carolina 28262 (US).

AT, AU, AZ, BA, BB, BG, BR, BW, BY, BZ, CA, CH, CN, CO, CR, CU, CZ, DE, DK, DM, DZ, EC, EE, EG, ES, FI, GB, GD, GE, GH, GM, HR, HU, ID, IL, IN, IS, JP, KE, KG, KM, KN, KP, KR, KZ, LC, LK, LR, LS, LT, LU, LV, LY, MA, MD, MG, MK, MN, MW, MX, MZ, NA, NG, NI, NO, NZ, OM, PG, PH, PL, PT, RO, RU, SC, SD, SE, SG, SK, SL, SM, SY, TJ, TM, TN, TR, TT, TZ, UA, UG, US, UZ, VC, VN, YU, ZA, ZM, ZW.

(84) Designated States (unless otherwise indicated, for every kind of regional protection available): ARIPO (BW, GH, GM, KE, LS, MW, MZ, NA, SD, SL, SZ, TZ, UG, ZM, ZW), Eurasian (AM, AZ, BY, KG, KZ, MD, RU, TJ, TM), European (AT, BE, BG, CH, CY, CZ, DE, DK, EE, ES, FI, FR, GB, GR, HU, IE, IS, IT, LT, LU, LV, MC, NL, PL, PT, RO, SE, SI, SK, TR), OAPI (BF, BJ, CF, CG, CI, CM, GA, GN, GQ, GW, ML, MR, NE, SN, TD, TG).

Declarations under Rule 4.17:

- as to applicant's entitlement to apply for and be granted a patent (Rule 4.17(ii))
- as to the applicant's entitlement to claim the priority of the earlier application (Rule 4.17(iii))

Published:

- with international search report

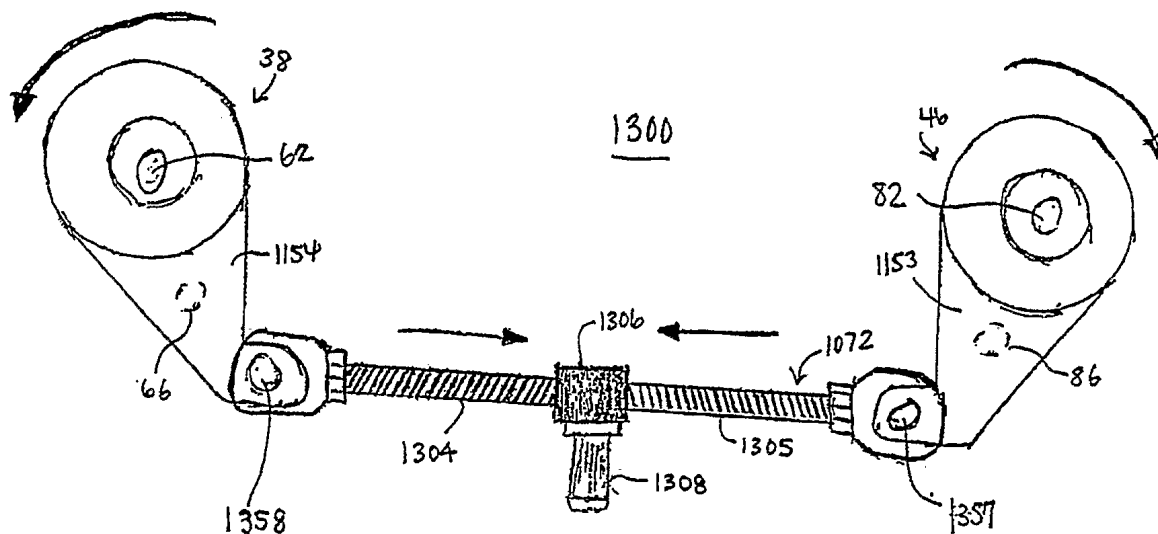
(88) Date of publication of the international search report:
9 April 2009

(15) Information about Correction:

Previous Correction:
see Notice of 29 March 2007

- (72) Inventors; and
- (75) Inventors/Applicants (for US only): DOAK, Jody [US/US]; 774 Academy Woods Drive, Jefferson, Georgia 30549 (US). GUFFEY, Shannon, D. [US/US]; 3741 Walnut Street, #115, Philadelphia, Pennsylvania 19104 (US).
- (74) Agents: GOODRICH, David et al.; J. M. HUBER CORPORATION, 333 Thornall Street, Edison, New Jersey 08837 (US).
- (81) Designated States (unless otherwise indicated, for every kind of national protection available): AE, AG, AL, AM,

(54) Title: PANEL BENDING MACHINE



(57) Abstract: A panel testing device, and a method of its use, for flexing and measuring mechanical properties of a panel are provided comprising a panel bending assembly operable to engage a panel and impart a bending force on the engaged panel, and a linear actuator having an output shaft coupled to the panel bending assembly, wherein the output shaft is operable to be movable relative to the panel bending assembly continuously at a constant rate of linear motion regardless of the torque force resisting such motion at the panel testing assembly.

WO 2006/104697 A3

INTERNATIONAL SEARCH REPORT

International application No.

PCT/US06/09430

A. CLASSIFICATION OF SUBJECT MATTER

IPC: G01N 3/20(2006.01)

USPC: 73/849

According to International Patent Classification (IPC) or to both national classification and IPC

B. FIELDS SEARCHED

Minimum documentation searched (classification system followed by classification symbols)
U.S. : 73/849

Documentation searched other than minimum documentation to the extent that such documents are included in the fields searched
NONE

Electronic data base consulted during the international search (name of data base and, where practicable, search terms used)
Please See Continuation Sheet

C. DOCUMENTS CONSIDERED TO BE RELEVANT

Category *	Citation of document, with indication, where appropriate, of the relevant passages	Relevant to claim No.
X	US 2003/0192385 A1 (UHLIK et al.) 16 October 2003 (16.10.2003), see entire document.	1,3,8-12,16-18,20
---		-----
Y		2,4-7,13-15,19,21
Y	US 4,792,737 A (GOFF et al.) 20 December 1988 (20.12.1988), see entire document.	2,19
Y	US 5,491,372 A (ERHART) 13 February 1996 (13.02.1996), see entire document.	4,5
Y	US 5,955,853 A (LANDER) 21 September 1999 (21.09.1999), see entire document.	6,7
Y	US 6,756,707 B2 (HOCHHALTER et al.) 29 June 2004 (29.06.2004), see entire document.	13
Y,P	US 2006/0017032 A1 (DE WALL et al.) 26 January 2006 (26.01.2006), see entire document.	14,15

Further documents are listed in the continuation of Box C.

See patent family annex.

* Special categories of cited documents:	"T"	later document published after the international filing date or priority date and not in conflict with the application but cited to understand the principle or theory underlying the invention
"A" document defining the general state of the art which is not considered to be of particular relevance	"X"	document of particular relevance; the claimed invention cannot be considered novel or cannot be considered to involve an inventive step when the document is taken alone
"E" earlier application or patent published on or after the international filing date	"Y"	document of particular relevance; the claimed invention cannot be considered to involve an inventive step when the document is combined with one or more other such documents, such combination being obvious to a person skilled in the art
"L" document which may throw doubts on priority claim(s) or which is cited to establish the publication date of another citation or other special reason (as specified)	"&"	document member of the same patent family
"O" document referring to an oral disclosure, use, exhibition or other means		
"P" document published prior to the international filing date but later than the priority date claimed		

Date of the actual completion of the international search

02 November 2007 (02.11.2007)

Date of mailing of the international search report

08 NOV 2007

Name and mailing address of the ISA/US

Mail Stop PCT, Attn: ISA/US
Commissioner for Patents
P.O. Box 1450
Alexandria, Virginia 22313-1450

Facsimile No. (571) 273-3201

Authorized officer

JOSE DEES

Telephone No. 571-272-1569

Charm S. Hepple

INTERNATIONAL SEARCH REPORT

International application No.
PCT/US06/09430

C. (Continuation) DOCUMENTS CONSIDERED TO BE RELEVANT

Category *	Citation of document, with indication, where appropriate, of the relevant passages	Relevant to claim No.
Y	US Department of Commerce Technology Administration. National Institute of Standards and Technology. Voluntary Product Standard PS 1-95: Construction and Industrial Plywood. Natl. Inst. Stand. Technol. Prod. Stan. 1-95. 48 pages, March 1996. http://ts.nist.gov/ts/htdocs/210/sccg/pgs1-95.pdf , obtained 7-10-2006	21

Continuation of B. FIELDS SEARCHED Item 3:

USPGPUB, USPAT, USOCR search notes: (linear adj actuator).ti. and feedback, (lever adj arm.ti., (lever adj arm).ti. and rotat\$3,
(drive adj screw).ti.(closed adj loop) near (A?C.u/c/), (closed adj loop) near servomotor, (closed adj loop) near (D?C.u/c.)