



US0D1032909S

(12) **United States Design Patent**  
**Rashidi Doust**

(10) **Patent No.:** **US D1,032,909 S**

(45) **Date of Patent:** **\*\* Jun. 25, 2024**

- (54) **FIRE RATED LIGHT FIXTURE**
- (71) Applicant: **ELITE LIGHTING**, Commerce, CA (US)
- (72) Inventor: **Hamid Rashidi Doust**, Beverly Hills, CA (US)
- (\*\*) Term: **15 Years**
- (21) Appl. No.: **29/881,884**

D940,374 S *	1/2022	Chen .....	D26/74
D975,332 S *	1/2023	Wu .....	D26/74
D992,793 S *	7/2023	Moorthy .....	D26/74
2018/0266634 A1 *	9/2018	Dong .....	F21V 21/041
2018/0372283 A1 *	12/2018	Zeng .....	F21S 8/026
2022/0082235 A1 *	3/2022	Chen .....	F21V 23/04
2022/0120394 A1 *	4/2022	Liu .....	F21S 8/026
2023/0003364 A1 *	1/2023	Xue .....	F21V 7/0083

\* cited by examiner

*Primary Examiner* — Angela J Lee

(74) *Attorney, Agent, or Firm* — Payam Moradian

- (22) Filed: **Jan. 6, 2023**
- (51) **LOC (14) Cl.** ..... **26-05**
- (52) **U.S. Cl.**  
USPC ..... **D26/74**
- (58) **Field of Classification Search**  
USPC ..... D26/72, 74, 75, 76, 77, 78, 85, 88, 89,  
D26/118, 138, 141  
CPC ..... F21V 7/06; F21V 21/044; F21V 21/047;  
F21S 8/02; F21S 8/026; F21S 8/022;  
F21S 8/024  
See application file for complete search history.

(57) **CLAIM**

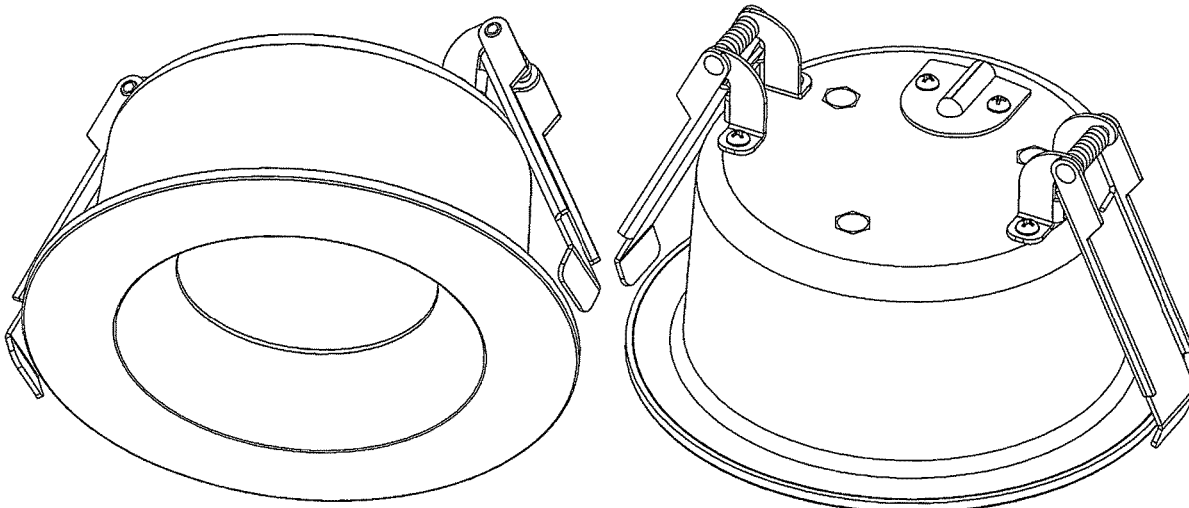
I claim the ornamental design for a fire rated light fixture, as shown and described.

**DESCRIPTION**

FIG. 1 is a bottom perspective view of the fire rated light fixture;  
 FIG. 2 is a bottom plan view thereof;  
 FIG. 3 is a front side view thereof;  
 FIG. 4 is a rear side view thereof;  
 FIG. 5 is a left side view thereof;  
 FIG. 6 is a right side view thereof;  
 FIG. 7 is a top plan view thereof; and,  
 FIG. 8 is a top perspective view thereof.

**1 Claim, 8 Drawing Sheets**

- (56) **References Cited**  
U.S. PATENT DOCUMENTS
- |              |         |                    |        |
|--------------|---------|--------------------|--------|
| D544,979 S * | 6/2007  | Hartmann, Jr. .... | D26/74 |
| D668,372 S * | 10/2012 | Renshaw .....      | D26/74 |
| D767,809 S * | 9/2016  | Götz-Schäfer ..... | D26/74 |
| D772,466 S * | 11/2016 | Li .....           | D26/74 |
| D866,040 S * | 11/2019 | Wu .....           | D26/74 |



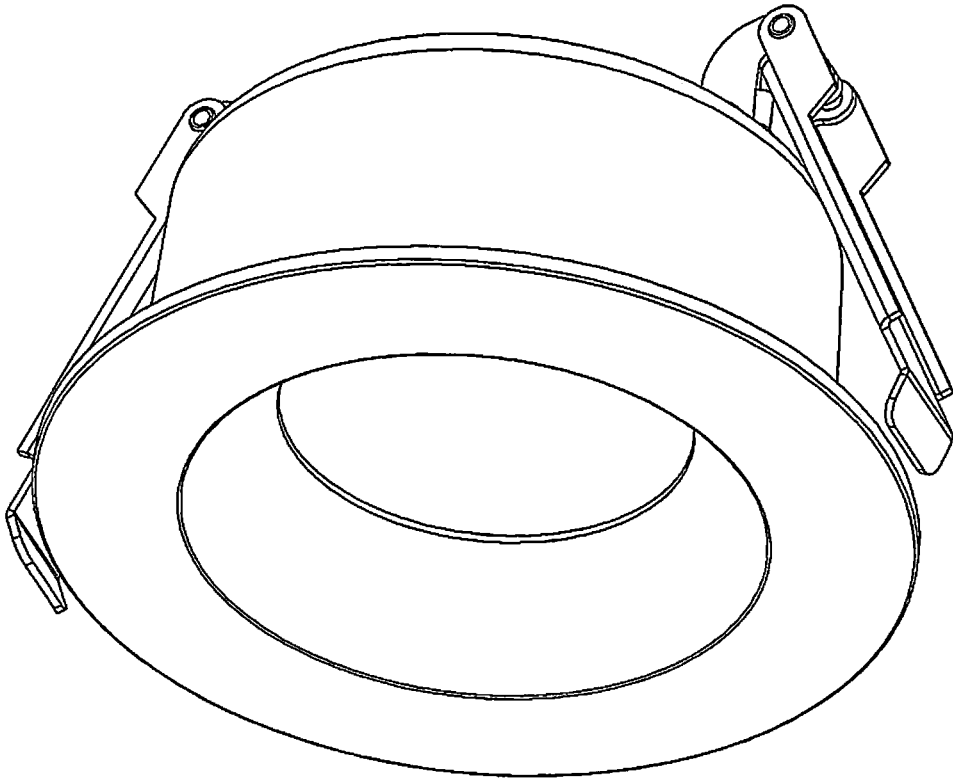


FIG.1

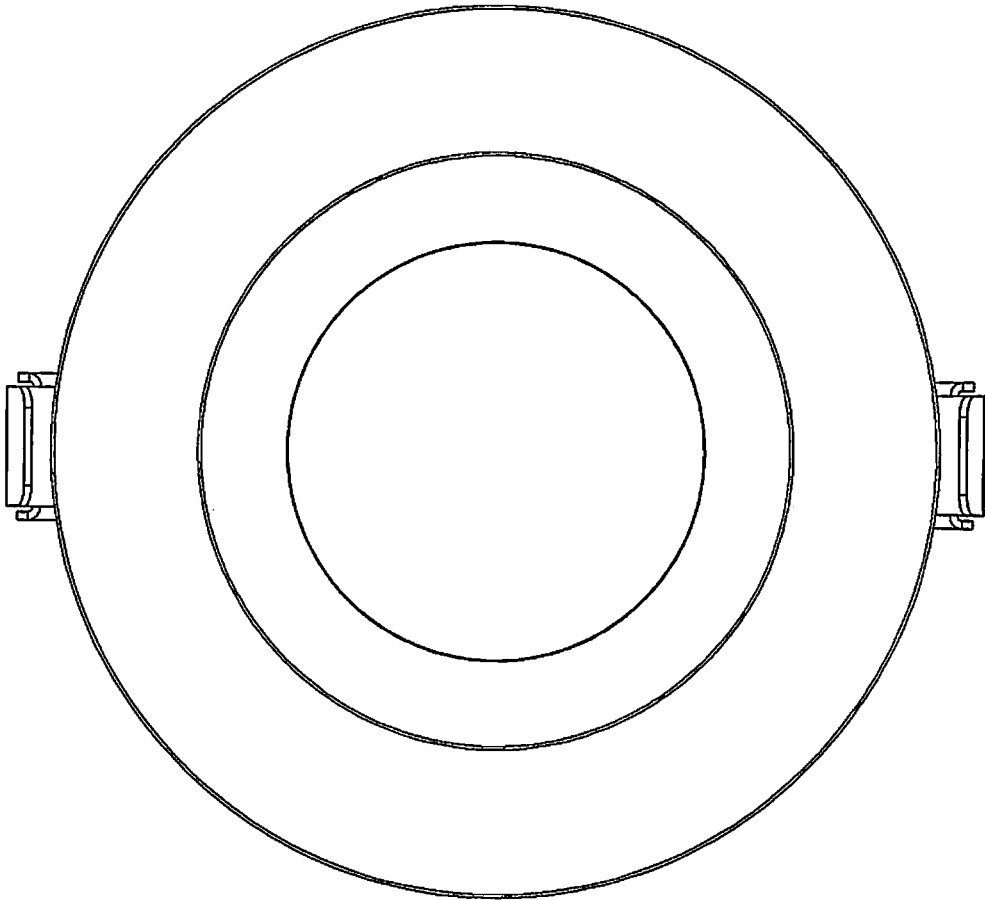


FIG.2

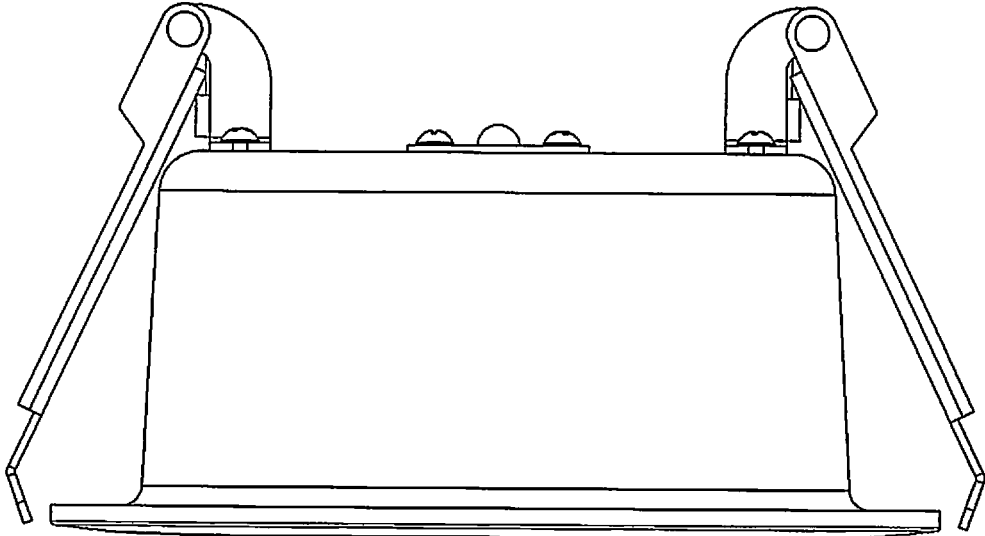


FIG.3

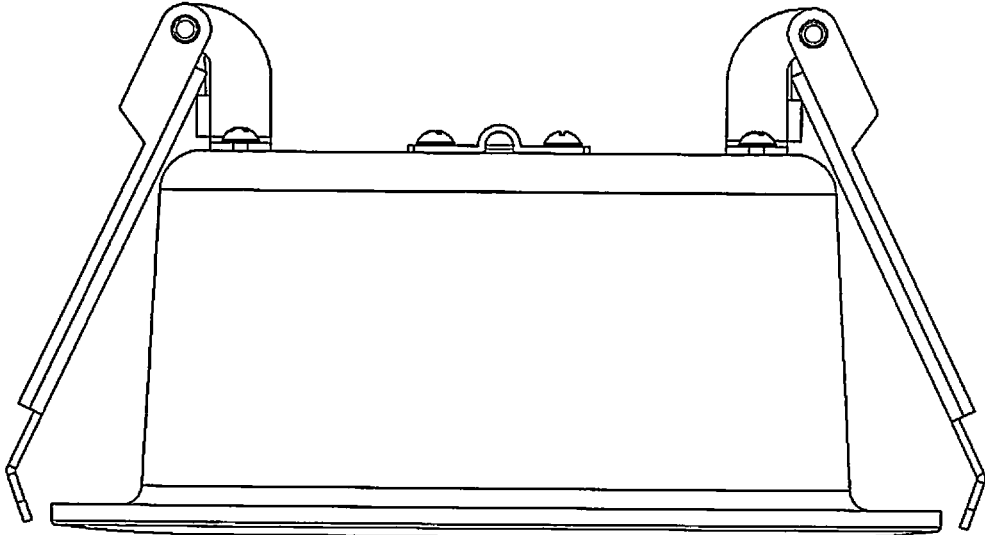


FIG.4

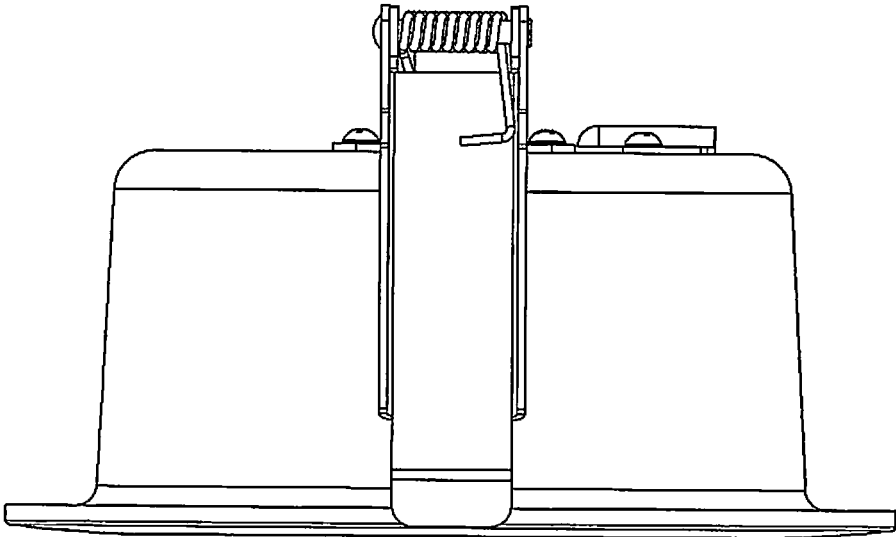


FIG.5

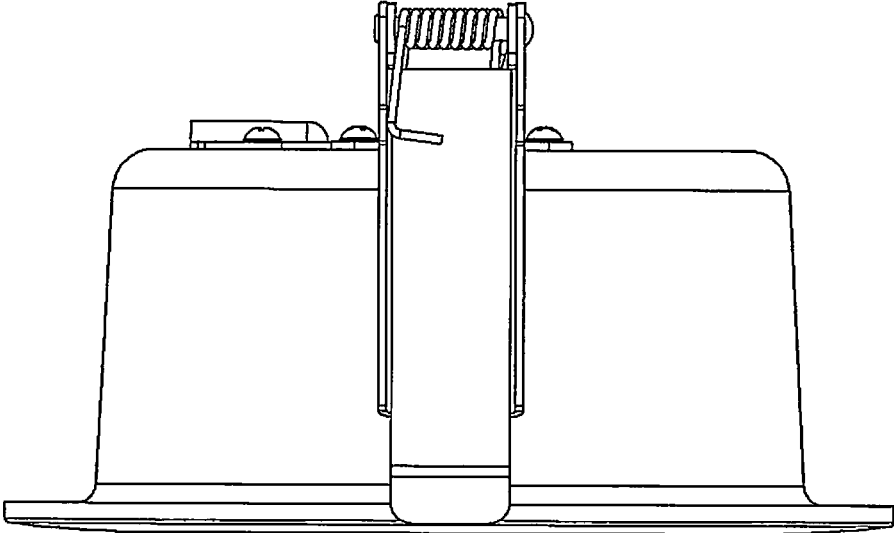


FIG.6

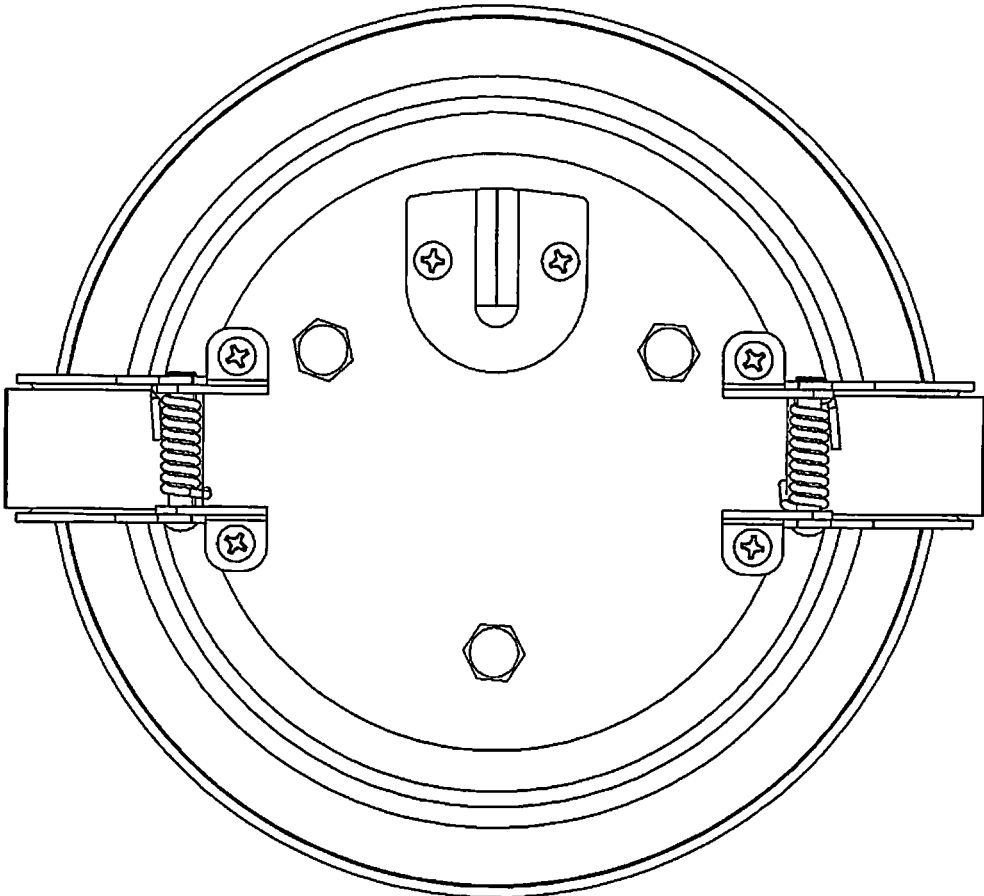


FIG.7

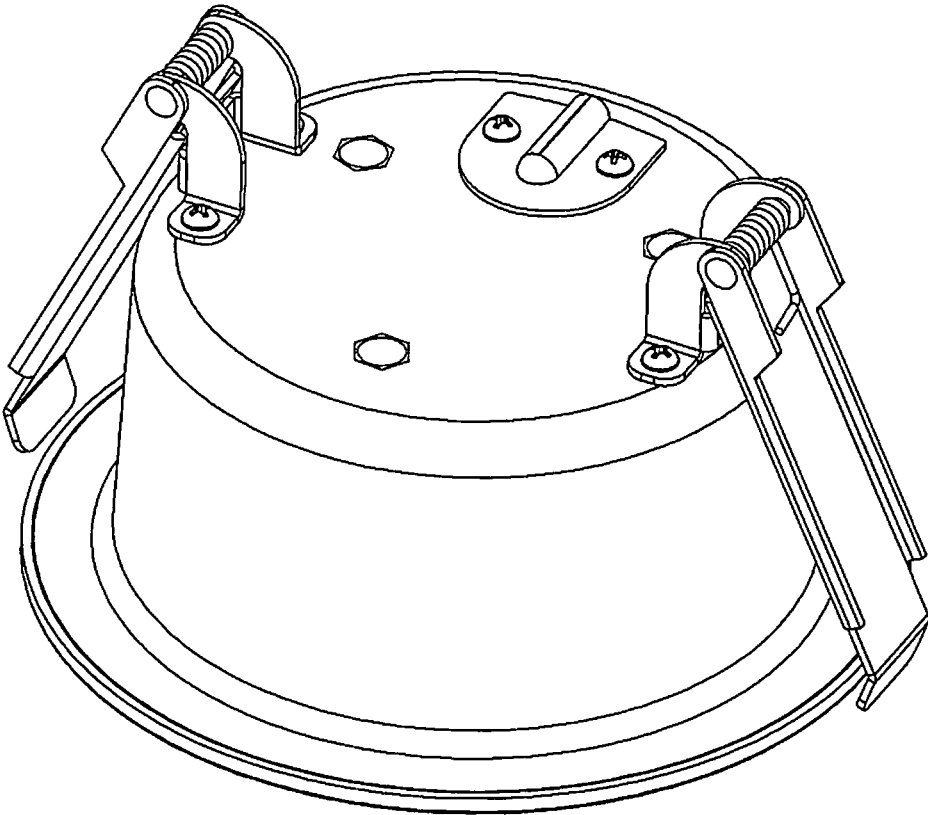


FIG.8