

(19) World Intellectual Property Organization
International Bureau



(43) International Publication Date
20 March 2008 (20.03.2008)

PCT

(10) International Publication Number
WO 2008/034068 A3

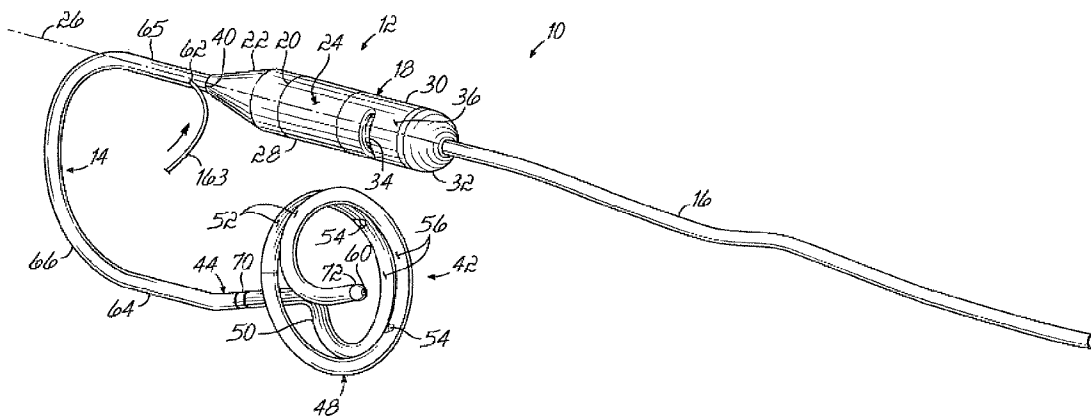
- (51) International Patent Classification:
A61M 1/12 (2006.01) A61F 2/06 (2006.01)
- (21) International Application Number:
PCT/US2007/078507
- (22) International Filing Date:
14 September 2007 (14.09.2007)
- (25) Filing Language: English
- (26) Publication Language: English
- (30) Priority Data:
60/825,662 14 September 2006 (14.09.2006) US
60/870,436 18 December 2006 (18.12.2006) US
- (71) Applicant (for all designated States except US): **CIRCULITE, INC.** [US/US]; 401 Hackensack Avenue, Hackensack, NJ 07601 (US).
- (72) Inventors; and
- (75) Inventors/Applicants (for US only): **FARNAN, Robert, C.** [US/US]; 219 Kociemba Drive, River Vale, NJ 07675 (US). **MARSEILLE, Oliver** [DE/DE]; Karl-Marx-Allee 154, 52074 Aachen (DE).
- (74) Agents: **ROONEY, Kevin, G.** et al.; Wood, Herron & Evans, L.L.P., 441 Vine Street, 2700 Carew Tower, Cincinnati, OH 45202 (US).

- (81) Designated States (unless otherwise indicated, for every kind of national protection available): AE, AG, AL, AM, AT, AU, AZ, BA, BB, BG, BH, BR, BW, BY, BZ, CA, CH, CN, CO, CR, CU, CZ, DE, DK, DM, DO, DZ, EC, EE, EG, ES, FI, GB, GD, GE, GH, GM, GT, HN, HR, HU, ID, IL, IN, IS, JP, KE, KG, KM, KN, KP, KR, KZ, LA, LC, LK, LR, LS, LT, LU, LY, MA, MD, ME, MG, MK, MN, MW, MX, MY, MZ, NA, NG, NI, NO, NZ, OM, PG, PH, PL, PT, RO, RS, RU, SC, SD, SE, SG, SK, SL, SM, SV, SY, TJ, TM, TN, TR, TT, TZ, UA, UG, US, UZ, VC, VN, ZA, ZM, ZW.
- (84) Designated States (unless otherwise indicated, for every kind of regional protection available): ARIPO (BW, GH, GM, KE, LS, MW, MZ, NA, SD, SL, SZ, TZ, UG, ZM, ZW), Eurasian (AM, AZ, BY, KG, KZ, MD, RU, TJ, TM), European (AT, BE, BG, CH, CY, CZ, DE, DK, EE, ES, FI, FR, GB, GR, HU, IE, IS, IT, LT, LU, LV, MC, MT, NL, PL, PT, RO, SE, SI, SK, TR), OAPI (BF, BJ, CF, CG, CI, CM, GA, GN, GQ, GW, ML, MR, NE, SN, TD, TG).

Published:
— with international search report

(88) Date of publication of the international search report:
26 June 2008

(54) Title: INTRAVASCULAR BLOOD PUMP AND CATHETER



(57) Abstract: An intravascular system (10, 160) for pumping blood from a chamber of a heart and through an associated blood vessel coupled in fluid communication therewith. The system (10, 160) includes a pump device (12, 162) configured to be inserted into a blood vessel. The system further includes a catheter (14, 166) having a proximal end coupled to the pump device (12, 162) and a distal end configured to collect blood within or exiting from the chamber. The catheter (14, 166) further includes a pre-formed shape corresponding to the vessel to at least assist with stabilization and positioning of the pump device (12, 162) in the vessel.



WO 2008/034068 A3

INTERNATIONAL SEARCH REPORT

International application No.
PCT/US 07/78507

<p>A. CLASSIFICATION OF SUBJECT MATTER IPC(8) - A61M 1/12; A61F 2/06 (2008.01) USPC - 623/3.1; 623/1.15; 623/1.11 According to International Patent Classification (IPC) or to both national classification and IPC</p>																				
<p>B. FIELDS SEARCHED</p> <p>Minimum documentation searched (classification system followed by classification symbols) USPC: 623/3.1; 623/1.15; 623/1.11</p> <p>Documentation searched other than minimum documentation to the extent that such documents are included in the fields searched USPC: All classes</p> <p>Electronic data base consulted during the international search (name of data base and, where practicable, search terms used) PubWEST (PGPB, USPT, EPAB, JPAB), Google Scholar, Google Patents Keywords: Intravascular, blood, pump, vessel, catheter, guidewire, second, additional, plurality, multiple, lumen, shape, define, determine, helix, helical, end, fix, affix, vane, entrance, port</p>																				
<p>C. DOCUMENTS CONSIDERED TO BE RELEVANT</p> <table border="1"> <thead> <tr> <th>Category*</th> <th>Citation of document, with indication, where appropriate, of the relevant passages</th> <th>Relevant to claim No.</th> </tr> </thead> <tbody> <tr> <td>X ----- Y</td> <td>US 7,070,555 B2 (SIESS) 04 July 2006 (04.07.2006) col 2, ln 60-63; col 4, ln 27-29; col 4, ln 33-41; col 4, ln 45 to col 5, ln 6; Fig 5, 6</td> <td>8-11 ----- 1-7, 12</td> </tr> <tr> <td>Y</td> <td>US 5,256,146 A (ENSMINGER et al.) 26 October 1993 (26.10.1993) col 3, ln 22-57; col 4, ln 20-23; Fig 3, 4</td> <td>1-7</td> </tr> <tr> <td>Y</td> <td>US 4,033,331 A (GUSS et al.) 01 September 2005 (01.21.2005) col 4, ln 45 to col 5, ln 12; Fig 2-5</td> <td>2</td> </tr> <tr> <td>Y</td> <td>US 5,921,971 A (AGRO et al.) 13 July 1999 (13.07.1999) col 6, ln 13-20; col 6, ln 38-45; Fig 1, 1c</td> <td>5, 6</td> </tr> <tr> <td>Y</td> <td>US 2004/0024285 A1 (MUCKTER) 05 February 2004 (05.02.2004) para [0039]; Fig 1</td> <td>12</td> </tr> </tbody> </table>			Category*	Citation of document, with indication, where appropriate, of the relevant passages	Relevant to claim No.	X ----- Y	US 7,070,555 B2 (SIESS) 04 July 2006 (04.07.2006) col 2, ln 60-63; col 4, ln 27-29; col 4, ln 33-41; col 4, ln 45 to col 5, ln 6; Fig 5, 6	8-11 ----- 1-7, 12	Y	US 5,256,146 A (ENSMINGER et al.) 26 October 1993 (26.10.1993) col 3, ln 22-57; col 4, ln 20-23; Fig 3, 4	1-7	Y	US 4,033,331 A (GUSS et al.) 01 September 2005 (01.21.2005) col 4, ln 45 to col 5, ln 12; Fig 2-5	2	Y	US 5,921,971 A (AGRO et al.) 13 July 1999 (13.07.1999) col 6, ln 13-20; col 6, ln 38-45; Fig 1, 1c	5, 6	Y	US 2004/0024285 A1 (MUCKTER) 05 February 2004 (05.02.2004) para [0039]; Fig 1	12
Category*	Citation of document, with indication, where appropriate, of the relevant passages	Relevant to claim No.																		
X ----- Y	US 7,070,555 B2 (SIESS) 04 July 2006 (04.07.2006) col 2, ln 60-63; col 4, ln 27-29; col 4, ln 33-41; col 4, ln 45 to col 5, ln 6; Fig 5, 6	8-11 ----- 1-7, 12																		
Y	US 5,256,146 A (ENSMINGER et al.) 26 October 1993 (26.10.1993) col 3, ln 22-57; col 4, ln 20-23; Fig 3, 4	1-7																		
Y	US 4,033,331 A (GUSS et al.) 01 September 2005 (01.21.2005) col 4, ln 45 to col 5, ln 12; Fig 2-5	2																		
Y	US 5,921,971 A (AGRO et al.) 13 July 1999 (13.07.1999) col 6, ln 13-20; col 6, ln 38-45; Fig 1, 1c	5, 6																		
Y	US 2004/0024285 A1 (MUCKTER) 05 February 2004 (05.02.2004) para [0039]; Fig 1	12																		
<p><input type="checkbox"/> Further documents are listed in the continuation of Box C. <input type="checkbox"/></p>																				
<p>* Special categories of cited documents:</p> <table border="0"> <tr> <td>"A" document defining the general state of the art which is not considered to be of particular relevance</td> <td>"T" later document published after the international filing date or priority date and not in conflict with the application but cited to understand the principle or theory underlying the invention</td> </tr> <tr> <td>"E" earlier application or patent but published on or after the international filing date</td> <td>"X" document of particular relevance; the claimed invention cannot be considered novel or cannot be considered to involve an inventive step when the document is taken alone</td> </tr> <tr> <td>"L" document which may throw doubts on priority claim(s) or which is cited to establish the publication date of another citation or other special reason (as specified)</td> <td>"Y" document of particular relevance; the claimed invention cannot be considered to involve an inventive step when the document is combined with one or more other such documents, such combination being obvious to a person skilled in the art</td> </tr> <tr> <td>"O" document referring to an oral disclosure, use, exhibition or other means</td> <td>"&" document member of the same patent family</td> </tr> <tr> <td>"P" document published prior to the international filing date but later than the priority date claimed</td> <td></td> </tr> </table>			"A" document defining the general state of the art which is not considered to be of particular relevance	"T" later document published after the international filing date or priority date and not in conflict with the application but cited to understand the principle or theory underlying the invention	"E" earlier application or patent but published on or after the international filing date	"X" document of particular relevance; the claimed invention cannot be considered novel or cannot be considered to involve an inventive step when the document is taken alone	"L" document which may throw doubts on priority claim(s) or which is cited to establish the publication date of another citation or other special reason (as specified)	"Y" document of particular relevance; the claimed invention cannot be considered to involve an inventive step when the document is combined with one or more other such documents, such combination being obvious to a person skilled in the art	"O" document referring to an oral disclosure, use, exhibition or other means	"&" document member of the same patent family	"P" document published prior to the international filing date but later than the priority date claimed									
"A" document defining the general state of the art which is not considered to be of particular relevance	"T" later document published after the international filing date or priority date and not in conflict with the application but cited to understand the principle or theory underlying the invention																			
"E" earlier application or patent but published on or after the international filing date	"X" document of particular relevance; the claimed invention cannot be considered novel or cannot be considered to involve an inventive step when the document is taken alone																			
"L" document which may throw doubts on priority claim(s) or which is cited to establish the publication date of another citation or other special reason (as specified)	"Y" document of particular relevance; the claimed invention cannot be considered to involve an inventive step when the document is combined with one or more other such documents, such combination being obvious to a person skilled in the art																			
"O" document referring to an oral disclosure, use, exhibition or other means	"&" document member of the same patent family																			
"P" document published prior to the international filing date but later than the priority date claimed																				
<p>Date of the actual completion of the international search 14 March 2008 (14.03.2008)</p>		<p>Date of mailing of the international search report 11 APR 2008</p>																		
<p>Name and mailing address of the ISA/US Mail Stop PCT, Attn: ISA/US, Commissioner for Patents P.O. Box 1450, Alexandria, Virginia 22313-1450 Facsimile No. 571-273-3201</p>		<p>Authorized officer: Lee W. Young PCT Helpdesk: 571-272-4300 PCT OSP: 571-272-7774</p>																		