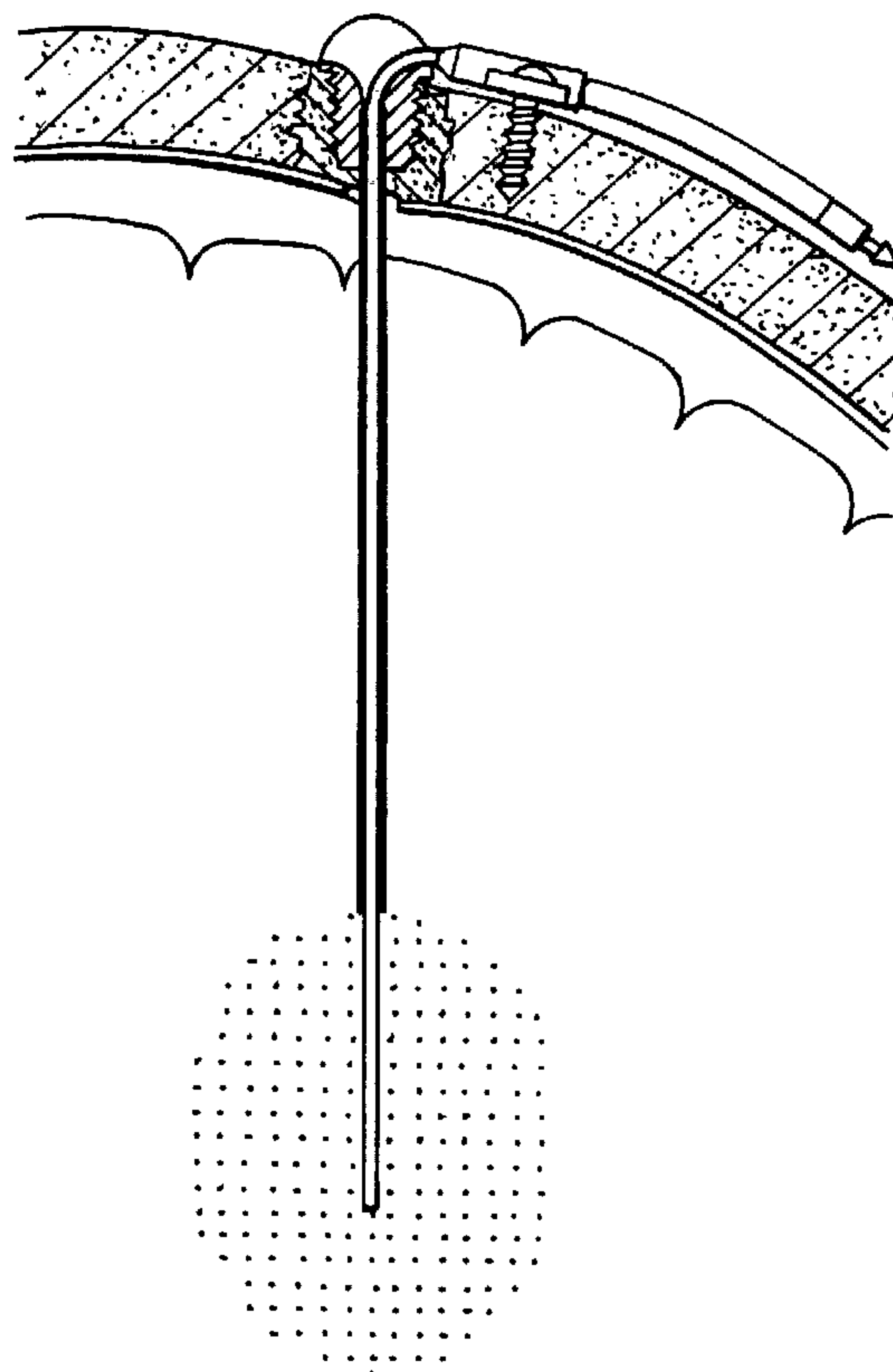




(86) Date de dépôt PCT/PCT Filing Date: 2003/03/11
 (87) Date publication PCT/PCT Publication Date: 2003/09/25
 (85) Entrée phase nationale/National Entry: 2004/08/11
 (86) N° demande PCT/PCT Application No.: GB 2003/001030
 (87) N° publication PCT/PCT Publication No.: 2003/077785
 (30) Priorité/Priority: 2002/03/12 (0205772.7) GB

(51) Cl.Int.⁷/Int.Cl.⁷ A61B 19/00, A61M 25/00
 (71) Demandeur/Applicant:
 GILL, STEVEN STREATFIELD, GB
 (72) Inventeur/Inventor:
 GILL, STEVEN STREATFIELD, GB
 (74) Agent: OYEN WIGGS GREEN & MUTALA

(54) Titre : CATHETER ET TUBE DE GUIDAGE DESTINES A DES APPLICATIONS INTRACEREBRALES
 (54) Title: CATHETER AND GUIDE TUBE FOR INTRACEREBRAL APPLICATION



(57) **Abrégé/Abstract:**

A catheter for use in neurosurgery, and a method of positioning neurosurgical apparatus. The catheter has a fine tube arranged for insertion into the brain parenchyma of a patient with an external diameter of not more than 1.0 mm. The catheter and method may be used in stereotactically targeting treatment of abnormalities of brain function, and for the infusion of therapeutic agents directly into the brain parenchyma. This is advantageous when a therapeutic agent would have widespread unwanted effects which could be avoided by confining the delivery to the malfunctioning or damaged brain tissue.

(12) INTERNATIONAL APPLICATION PUBLISHED UNDER THE PATENT COOPERATION TREATY (PCT)

(19) World Intellectual Property Organization
International Bureau(43) International Publication Date
25 September 2003 (25.09.2003)

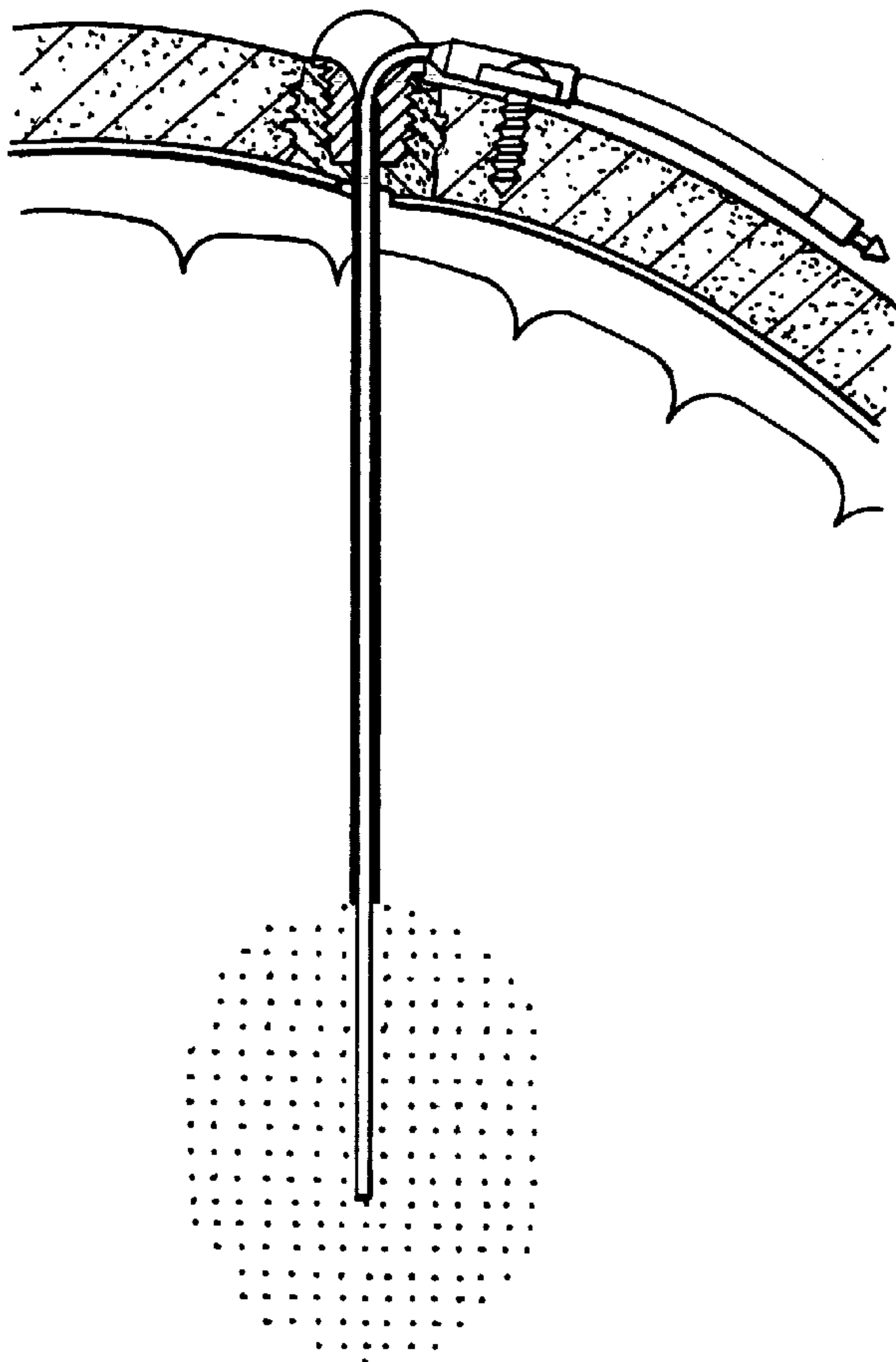
PCT

(10) International Publication Number
WO 03/077785 A1

- (51) International Patent Classification⁷: A61B 19/00, A61M 25/00
- (74) Agents: TOMBLINIG, Adrian, George et al.; Withers & Rogers, Goldings House, 2 Hays Lane, London, SE1 2HW (GB).
- (21) International Application Number: PCT/GB03/01030
- (22) International Filing Date: 11 March 2003 (11.03.2003)
- (25) Filing Language: English
- (26) Publication Language: English
- (30) Priority Data:
0205772.7 12 March 2002 (12.03.2002) GB
- (71) Applicant and
(72) Inventor: GILL, Steven, Streatfield [GB/GB]; North Bristol NHS Trust, Frenchay Hospital, Frenchay Park Road, Bristol BS16 1LE (GB).
- (81) Designated States (*national*): AE, AG, AL, AM, AT, AU, AZ, BA, BB, BG, BR, BY, BZ, CA, CH, CN, CO, CR, CU, CZ, DE, DK, DM, DZ, EC, EE, ES, FI, GB, GD, GE, GH, GM, HR, HU, ID, IL, IN, IS, JP, KE, KG, KP, KR, KZ, LC, LK, LR, LS, LT, LU, LV, MA, MD, MG, MK, MN, MW, MX, MZ, NI, NO, NZ, OM, PH, PL, PT, RO, RU, SC, SD, SE, SG, SK, SL, TJ, TM, TN, TR, TT, TZ, UA, UG, US, UZ, VC, VN, YU, ZA, ZM, ZW.
- (84) Designated States (*regional*): ARIPO patent (GH, GM, KE, LS, MW, MZ, SD, SL, SZ, TZ, UG, ZM, ZW), Eurasian patent (AM, AZ, BY, KG, KZ, MD, RU, TJ, TM), European patent (AT, BE, BG, CH, CY, CZ, DE, DK, EE, ES, FI, FR, GB, GR, HU, IE, IT, LU, MC, NL, PT, RO,

[Continued on next page]

(54) Title: CATHETER AND GUIDE TUBE FOR INTRACEREBRAL APPLICATION



(57) Abstract: A catheter for use in neurosurgery, and a method of positioning neurosurgical apparatus. The catheter has a fine tube arranged for insertion into the brain parenchyma of a patient with an external diameter of not more than 1.0 mm. The catheter and method may be used in stereotactically targeting treatment of abnormalities of brain function, and for the infusion of therapeutic agents directly into the brain parenchyma. This is advantageous when a therapeutic agent would have widespread unwanted effects which could be avoided by confining the delivery to the malfunctioning or damaged brain tissue.



WO 03/077785 A1

WO 03/077785 A1



SE, SI, SK, TR), OAPI patent (BF, BJ, CF, CG, CI, CM, GA, GN, GQ, GW, ML, MR, NE, SN, TD, TG).

For two-letter codes and other abbreviations, refer to the "Guidance Notes on Codes and Abbreviations" appearing at the beginning of each regular issue of the PCT Gazette.

Published:

— *with international search report*

CATHETER AND GUIDE TUBE FOR INTRACEREBRAL APPLICATION

The present invention relates to apparatus for use in neurosurgery, and to a method of positioning neurosurgical apparatus. The apparatus and method are particularly useful in stereotactically targeting treatment of abnormalities of brain function, and for the infusion of therapeutic agents directly into the brain parenchyma. This would be particularly useful when a therapeutic agent given systemically will have widespread unwanted side effects which would be avoided by confining the delivery to the malfunctioning or damaged brain tissue.

10

Examples of treating abnormalities of brain function include the acute infusion of Gamma-amino-butyric-acid agonists into an epileptic focus or pathway to block transmission, and the chronic delivery of opiates or other analgesics infused directly to the peri-aqueductal grey matter or to thalamic targets for the treatment of intractable pain. Also, cytotoxic agents can be delivered directly into a brain tumour. Intraparenchymal infusion could also be used to deliver therapeutic agents to brain targets that could not be delivered systemically because they will not cross the blood-brain barrier. For example, the treatment of patients with Parkinson's disease, Alzheimer's disease, head injury, stroke and multiple sclerosis may be carried out by the infusion of neurotrophic factors to protect and repair failing or damaged nerve cells. Neurotrophins may also be infused to support neural grafts transplanted into damaged or malfunctioning areas of the brain in order restore function.

15

20

Intraparenchymal drug delivery has been demonstrated in non human primates and in rats. For intraparenchymal drug delivery to a human or non-human brain, it is proposed that a catheter be implanted, and the drug be pumped intermittently or continuously to the desired brain target. For long term drug delivery, a pump containing a reservoir would be implanted subcutaneously and the reservoir refilled as necessary percutaneously through a palpable port.

25

30

In particular US-A-6 042 579 discloses techniques for treating neurodegenerative disorders by the infusion of nerve growth factors into the brain.

5 In order to perform neurosurgery, the surgeon needs, in the first instance, to identify the position of the desired target. This is normally achieved by fixing a stereotactic reference frame to the patient's head which can be seen on diagnostic images, and from which measurements can be made. The stereotactic frame then acts as a platform from which an instrument is guided to a desired target using a stereoguide that is set to the measured co-ordinates. Once an instrument is guided to the desired target, treatment
10 can begin.

A number of difficulties are encountered in such neurosurgical procedures. Sub-optimal placement of the instrument being inserted may lead to significant morbidity or treatment failure. Brain targets for treating functional disorders are usually deeply
15 situated and have small volumes. For example, a desired target for treating Parkinson's disease is situated in the sub-thalamic nucleus and is 3-4mm in diameter, or an ovoid of 3-4mm in diameter and 5-6mm in length. Other targets such as the globus pallidus or targets in the thalamus are usually no more than 1-2mm larger. For such a small target sub-optimal placement of as little as 1mm will not only reduce the effectiveness of the
20 treatment, but may also induce unwanted side affects such as weakness, altered sensation, worsened speech and double vision. However, functional neurosurgical targets are often difficult or impossible to visualise on diagnostic images, and so that actual position may be need to be inferred with the reference to visible landmarks in the brain and using a standard atlas of the brain to assist the process. Anatomical variations
25 between an individual and the atlas, and even between different sides of the same brain of an individual means that placement may be sub-optimal. Other reasons for sub-optimal placement may result from patient movement during image acquisition, or geometric distortion of imaging which can be intrinsic to the images method. Also, during surgery, brain shift can occur which might result from the change in the head
30 position from that during image acquisition to the position on the operating table, from leakage of cerebrospinal fluid when a burr hole is made with a subsequent sinking of the brain, and also from the passage of the instrument through the brain. Surgeons

attempt to correct these errors by performing electrophysiological studies on the patient undergoing functional neurosurgery, kept awake during the procedures.

Intraparenchymal catheters may be guided to their targets in the brain using stereotactic techniques. Typically, stereotactic localisation of a brain target is accomplished by 5 fixing the stereotactic base ring to the skull and identifying the position of the target using imaging techniques. The position of the target is identified using three dimension co-ordinates by making measurements from radio-opaque fiducials attached to the stereotactic base ring. The stereotactic base ring may then be used as a platform from 10 which to guide instruments to the target using a stereoguide on the stereotactic base ring that is set to the measured co-ordinates. The catheter may then be guided towards the target through the brain tissue after rigidifying it by the insertion of a stiff wire through its bore. Alternatively, a straight wire may be guided to the target first, and the catheter introduced around the wire so that one end (i.e. the inserted or distal end) is located 15 within the brain, and the opposite end (i.e. the external or proximal end) remains outside the brain. Once positioned, the external end of the catheter can be fixed to the skull, and connected to a pump whereby the therapeutic agent may be administered. It will be appreciated that the outer diameter of the catheter tubing should be as small as possible, particularly when especially sensitive parts of the brain are to be treated, such 20 as the mesencephalic targets, and are therefore to be passed through by the catheter. Such highly sensitive regions of the brain tend to be located in deep positions typically between 70 and 100mm from the surface of the skull, such as the brain stem. Of course, the thinner the catheter tubing, the greater the deflection during insertion to those deep targets within the brain, and the increased likelihood that placement will be 25 sub-optimal.

The present invention seeks to optimise the placement of the catheter whilst minimising the trauma to the brain by utilising small diameter catheter tubing.

30 According to a first aspect of the invention there is provided a neurosurgical catheter having a fine tube arranged for insertion into the brain of a patient with an external diameter of not more than 1.0mm. It is preferred that the external diameter of the

catheter is not more than 0.7mm, and even more preferred that it is not more than 0.65mm. Most preferably, its external diameter is not more than 0.5mm. The catheter is preferably generally circular in cross section.

- 5 It is also preferred that the catheter is a deep target neurosurgical catheter and has a length of at least 40mm, more preferably at least 70mm and most preferably at least 90mm.

10 Since the fine tube is so fine, it is desirable for the catheter to further comprise a connector tube connected to one end of the fine tube, the connector tube being of greater diameter than the fine tube. Preferably the connector tube has an outer diameter of about 2mm. Connection may be achieved by the inclusion of a hub disposed between the fine tube and the connector tube. According to a preferred embodiment, the hub includes a passageway connecting the fine tube and the connector tube, the
15 passageway including a first passage in which the fine tube is securely inserted, a second passage in which the connector tube is securely inserted and a further link passage disposed between the first and second passages.

In a preferred embodiment, the hub includes a cylindrical body and one or more flanges
20 by which the hub can be secured to the skull of the patient. The hub may be secured using any fixing arrangement, including glue and screws. It is particularly preferred that each flange includes an internal surface defining a countersunk hole by which the hub can be secured to the skull of a patient by screws.

- 25 Preferably, the hub includes a stop surface adjacent to where the fine tube is secured to the hub. It is also preferred that the hub is tapered towards that stop.

30 According to a second aspect of the invention, there is provided a neurosurgical instrument comprising a tube for insertion into the brain of a patient towards a desired target, the tube having a distal end for insertion into the brain, a proximal end and a head disposed at the proximate end of the tube for attachment to the skull of the patient; and a catheter according to the present invention for insertion into the brain of the

patient via the tube. Other advantageous or preferred features of the catheter are described above.

5 Preferably, the head of the guide tube includes an externally threaded surface for engagement with the skull of the patient via an acrylic cement. According to a preferred embodiment, the head includes a slotted dome structure, and the catheter has a hub having a stop at one end which abuts the dome structure once the fine tube has been inserted into the guide tube. The slot is preferably shaped such that, as the catheter is bent over in the slot, it resists kinking. The domed structure is preferably
10 shaped such that, as the catheter is bent over in the slot with the stop abutting the domed surface, the distal end of the catheter will remain accurately located at its target. Reference is made to GB-A-2357700 which discloses a guide tube with a head having a domed structure, the disclosure of which is incorporated herein by reference.

15 According to a third aspect of the invention there is provided a neurosurgical guide device comprising a tube for insertion into the brain of a patient towards a desired target, the tube having distal end for insertion, an opposite proximal end and a head disposed at the proximate end of the tube for attachment to the skull of the patient, characterised in that the internal diameter of the tube is not more than 1mm; wherein
20 the tube is of a length such that the distal end falls short of the target by between 1 and 20mm. Preferably the length is such that the distal end falls short by between 5 and 10mm.

25 According to a fourth aspect of the invention, there is provided a method of positioning a catheter at a target in the brain of a patient comprising; inserting a neurosurgical guide tube according to the third aspect of the present invention into the brain towards the target, wherein the distal end falls short of the target by between 5 and 20mm; securing the head of the guide device to the skull; and inserting a catheter according to the present invention through the tube and to the target.

It is preferred that the catheter is positioned at a deeply positioned target of at least 40mm from the surface of the skull, more preferably at least 70mm from the surface, and most preferably at least 90mm from the surface of the skull.

5 The present application comprises a kit comprising:

one or more neurosurgical catheters according to the present invention;

one or more guide tubes for insertion into the brain of a patient towards a desired target, each tube having distal and proximate ends and a head disposed at the proximate end of the tube for attachment to the skull of the patient; and

10 one or more guide wires.

Preferably, the kit according is provided in a pack having separately marked sections, wherein each section contains one catheter, one guide tube and one guide wire. This enables each set of elements (i.e. the catheter, the guide tube and the guide wire) can be distinguished from other sets of the elements. This is important when different sets of elements are used on different sites of the brain.

Embodiments of the present invention will be described by way of example only with reference to the accompanying drawings in which:

20

Figure 1 is a view of a catheter according to the present invention;

Figure 2 is a view showing part of the catheter of Figure 1 with internal features shown in dotted lines;

Figure 3 is an end view of the catheter from the right hand end of Figure 2;

25 Figure 4 shows a first phase of stereotactic insertion;

Figure 5 shows a second phase of stereotactic insertion;

Figure 6 shows a third phase of stereotactic insertion;

Figure 7 shows a fourth phase of stereotactic insertion;

Figure 8 is a perspective view of a guide tube with a dome-shaped head;

30 Figure 9 is a sectional view of the guide tube of Figure 8 with the dome-shaped head;

Figure 10 is a schematic view showing the catheter of Figure 1 inserted through a guide tube; and

Figure 11 is a view of the catheter *in situ* once insertion is complete.

As explained above, insertion of a catheter into particularly sensitive regions of the brain leads to trauma on insertion which surgeons wish to minimise. The finer the catheter the less trauma the brain experiences. However, since the accuracy of insertion is crucially important, and since these particularly sensitive areas of the brain are a considerable distance from the skull surface, larger diameter catheters have been considered to be necessary in order to accurately place the distal end of the catheter. However, the present invention allows much finer catheters to be used.

10

Example 1

Figures 1, 2 and 3 show a catheter 1 according to the present invention. The catheter 1 includes a length of fine tubing 2, the outer diameter which is no more than 1mm, and most preferably no greater than 0.7mm. It is even more preferred that the outer diameter be no more than 0.5mm. In this instance, the catheter tubing 2 is constructed from polyurethane plastic and preferably from carbothane 55DB20 (Thermedics Polymer Products, Woburn MA, USA). The fine tubing 2 is linked to a length of connector tubing 3 having an outer diameter of about 2mm, via a hub 4. The connector tubing 3 is, in this case, made from polyurethane plastic, such as carbothane 85AB20, although other materials could also be used.

15
20

The hub 4 in this case is also constructed using polyurethane, such as carbothane 72DB20. Again, other materials may also be appropriate.

The fine tubing 2 is intended to be inserted into the brain of a patient, whereas the connector tubing 3 is intended to be connected to outflow tubing of a pump by which a therapeutic agent may be pumped intermittently or continuously to a desired brain target. For long term drug delivery, the pump would be implanted subcutaneously and the reservoir refilled as necessary percutaneously through a palpable port. In this case, the connector tubing 3 would be connected to outflow tubing of the pump which would be tunnelled subcutaneously from the pump to the catheter. It's length will depend on particular installations and will be cut to length appropriately.

25

30

The hub 4 includes a central body 5, which is generally cylindrical and a pair of diametrical opposing wings 6 each containing a countersunk hole whereby the hub may be screwed to the outer surface of the skull of the patient.

5

The cylindrical body 5 of the hub 4 includes a passageway passing through its complete length. The passageway includes a first narrow passage 8 of uniform diameter into which the fine tubing is inserted and securely held. The passageway also includes a second wide passage 9 of uniform diameter into which the connector tubing 3 is inserted and securely held. Between the first and second passages 8, 9 is a third linking passage 10 which is generally tapered in order to take account of the different internal diameters of the fine tubing 2 and the connector tubing 3. It will be noted that the ends of the third passage 10 are of the same or very similar diameter to the internal diameters of the fine tubing 2 and the connector tubing 3.

15

From Figure 2, it can be seen that the right hand end of the hub 4 is frustoconical, and the end of the hub is planar and forms a stop 11, the significance of which will be understood from the description below.

20 Example 2

The insertion of the catheter will now be described. Firstly, a stereotactic frame is attached to the patient's skull and the position of the intracranial target is identified by imaging the patient wearing the stereotactic frame and defining the position of the target as three dimensional co-ordinates. This step is explained in more detail in the introduction to this patent specification and is a standard technique within the field of neurosurgery.

Once the target has been defined, a stereoguide is used which is set to the target coordinates. An appropriately sized guide tube having an internal diameter of no more than 1mm is directed into the brain in the direction of the target. The guide tube is arranged with a head at one end, which, once inserted, can be attached to the patient's skull, for example by being bonded into a burrhole in the skull using an acrylic cement.

30

Before insertion, the guide tube is cut to a length short of the target, and sufficiently short that, while it passes through brain tissue, it does not enter those parts of the brain which are particularly sensitive to trauma. The distal end of the guide tube will typically fall several millimetres short of the target. The distance from the top of the head of the guide tube to the target is then measured, and a radio-opaque stylette is cut to length such that, when inserted down the guide tube it's distal end reaches the planned target. This means that the stylette will extend beyond the distal end of the guide tube.

10 The patient is then re-imaged in order to confirm the satisfactory placement of the stylette prior to removing the stylette and replacing it with the intraparenchymal catheter cut to the same length as the stylette. Again, the catheter will have an outer diameter of no more than one millimetre although it will be appreciated that the catheter, the stylette and the guide tube will all be matched so that the catheter and stylette will fit properly within the guide tube. If it is desired to use a very fine catheter of, say, 0.65mm in outer diameter, an appropriate guide tube will also be used with an internal diameter of 0.75mm.

When the catheter is inserted, it is expected that it will be reinforced during insertion by the location of a stiff wire through it's bore, most likely made from tungsten. Once the catheter has been inserted in the guide tube, the stop 11 on the hub 4 will abut the head of the guide tube meaning that the distal end of the catheter has reached the target. The stiff wire is removed, and the fine tubing 2 is bent through about 90° so that the hub 4 can be secured to the outer surface of the skull using screws passing through the countersunk holes 7. To facilitate the bending, the head of the guide tube is dome shaped and arranged such that, during bending, not only will the fine tubing 2 not kink, but also the distal end of the fine tubing will not move. This will be explained in more detail later in this specification.

30 The connector tubing 3 can then be connected to the outflow tubing of a pump. Generally, the connector tubing 3, will be tunnelled subcutaneously to the remotely positioned pump.

Example 3

In an alternative insertion technique, a number of phases or steps are taken which are shown in Figures 4 to 7. As will be appreciated, small diameter catheters have a tendency to drift off the planned trajectory during insertion as a result of the flexibility inherent in a small diameter instrument. Since neurosurgical targets are often deeply situated, typically 70-80mm from the surface of the skull, and sometimes as much as 100mm from the skull surface, the catheter must normally be very rigid, and therefore of a larger diameter.

10

Examples of possible targets include parts of the mesencephalon including the subthalamic nucleus, the substantia nigra and the peduncular-pontine nucleus. This is a particularly critical region of the brain, where it is important to minimise trauma from the passage of an instrument, which is typically situated about 70-80mm from the skull surface and contained within a volume which has a height of approximately 20-25mm.

15

To facilitate insertion of very fine catheters into mesencephalic targets, insertion takes place as follows.

20 Firstly, a small diameter tungsten guide wire 22 of 0.6mm in diameter is inserted in a tube 21 with an outer diameter of 1.7mm and fixed within the tube 21 with a finger-tightened grub screw 23 such that the wire 22 protrudes from the distal end of the tube 21 by 25mm. The tube 21 is tapered towards its end for a length of 20mm. The tube 21 and wire 22 can be seen in Figure 4 showing the first phase of insertion in which the tube 21 with the wire 22 projecting from its end can be seen. The finger tightened grub screw 23 can be seen at the top of tube 21, in which the wire 22 is held. Insertion takes place from a stereotactic frame in which the target has been identified and defined in terms of three dimensional coordinates. The stereotactic frame carries a stereoguide which has been modified in order to permit this technique. During the first phase of insertion shown in Figure 4, the tube and wire are together lowered towards the target. In this case, the tube is 165mm in length, and since the tube 21 and the wire are inserted as a unit, the distance from the top of the tube to the tip of the guide wire

25

30

22 is 190mm. The wire 22 extends above the top of the tube by approximately 150mm. The stereoguide includes an upper clamp 24 and a lower clamp 25, and each of these clamps can be swivelled between a position of engagement with the wire or tube which is being inserted or removed, and a position remote from that.

5

Once the guide wire 22 has reached its target, the upper clamp 24 is swivelled to clamp the proximal end of the guide wire 22. Once the grub screw 23 has been loosened, the tube 21 can be withdrawn from the brain leaving the wire 22 *in situ*. Once the tube 21 has been raised up towards the upper clamp, the lower clamp can be swung across to
10 clamp the now exposed wire 22, and the upper clamp 24 can be released, as shown in Figure 5. This allows the tube 21 to be removed altogether from the top of the wire 22.

A guide tube 31 is threaded onto the wire 22, and the upper clamp 24 is then swung around and closed on the wire 22. The lower clamp 25 can then be released to allow
15 the guide tube 31 to be inserted into the brain so that its distance is approximately 1 or 2 cm short of the target, also shown in Figure 7. The guide tube 32 has at its upper end a head with a threaded outer surface which permits the head to be screwed into the tapped burrhole in the patient's skull, thereby securing the guide tube 31 securely in position. Further features of the head will become clear later in this description.

20

Once the guide tube 31 is installed, the guidewire 22 may be removed and Figure 7 shows that a 0.65mm catheter 36 can then be inserted down the guide tube 31 to the target.

25

This method has the particular advantage that, on the first pass, the guide wire being stiffened by the tube 21 will hit the target, and then by inserting a guide tube short of the target, the brain target will be fixed and the guide tube will facilitate the insertion of a very fine instrument to the target. For the treatment of certain conditions such as Alzheimer's disease it is necessary to deliver nerve growth factors to targets in the
30 nucleus basalis through several in-dwelling catheters. If each catheter is only 0.65mm in diameter, multiple fine catheters can be inserted without substantially disrupting the tissue it is intended to regenerate.

In this insertion method, certain diameters of the wire 22, the inside of the tube 21, the outside of the tube 21 and the diameters of the guide tube 31 and the catheter 36 have been referred to. Of course, it will be appreciated that different diameters may be suitable and that the important factor is that the outer diameter of the wire 22 and of the fine catheter 36 which passed through the mesencephalon are as fine as possible, and no larger than 1mm in cross section. It is preferred that the diameter is no more than 0.7mm, and even more preferred that it is not more than 0.65mm.

10 The top part of the guide tube 31 is shown in Figures 8 and 9 from which it will be seen that the top of the tube 41 carries a head 42 which has a threaded outer surface which can be screwed into the burrhole in the skull through which instruments are inserted. The top of the tube 41 opens into a slot 44 in the head 42. The head 42 is formed with a dome structure 45 in which the slot 44 is located.

15

As will be seen from Figure 9, once the head has been secured into the skull, the catheter is located in the tube 41 and is then bent from position small y to position small z. The inner edge around which the catheter is bent is radiused and is shaped in the slot 44 such that the catheter will not kink and such that the distance from x to y is the same as the distance from x to z so that the distal end of the catheter is not moved during the bending process.

20

It will be understood from Figures 8 and 9, that, in this embodiment, the guide tube 31 is formed with the head 42 including the threaded surface 43 and the domed structure 45 as an integral unit.

25

Referring now to Figures 10 and 11, it will be seen that a catheter has been inserted into the brain on a stiff wire (not shown) such that the stop 11 abuts the top of the dome structure 45. At this point, the stiff wire is removed and the distal end of the catheter is in the correct position for treatment. The catheter is then bent over to the position shown in Figure 11 maintaining the stop 11 against the dome structure 45. Figure 11

30

also shows how the hub 4 is attached via screws to the skull, and how the connector tubing 3 is directed off towards the pump.

It is preferred that the catheter delivers drugs through a single port at its distal end. This has advantages over catheters with multiple ports at their distal end that may be used for intraparenchymal delivery to the brain. In particular, the use of a single port minimises the risk of the port becoming obstructed at the low flow rate anticipated for intraparenchymal delivery from the build up of proteinaceous material or gliotic ingrowth. A further advantage of having a single port at the distal end of the intraparenchymal catheter is that it ensures drug delivery at the defined target. The site of drug delivery from a multiport catheter is unpredictable, particularly at low flow rates. This is because flow will be maximal through the port with the lowest resistance. Even though the ports may be of an identical size, the degree to which tissue obstructs any individual port will vary. The net result will be off-axis drug delivery, probably from a single port, which will be sub-optimal for drug delivery to a small target.

Trauma to the brain is minimised upon insertion as a result of using a very fine catheter of no more than 1mm in diameter and preferably less than 0.7mm in diameter. In addition, the small diameter catheter makes it suitable for drug delivery to small targets in the brain stem such as the substantia nigra and the pedunculopontine nucleus as well as to other small targets such as the nucleus basalis, the peri-aqueductal grey matter and various thalamic nuclei.

During infusion of a therapeutic substance, the substance flowing from the catheter port or ports will preferably follow the path of least resistance, i.e. flow back along the tissue/catheter interface, up to the cortical surface and then into the CSF compartment. Depending on the flow rate it will diffuse variably into the tissues with an ovoid volume of distribution. Containing the drug within a small brain target can therefore be a problem. If, however, the catheter has been inserted into the brain down an indwelling guide tube as in the present invention, then drug exiting the distal port flows back along the tissue/catheter interface until it reaches the guide tube. It then flows preferably along the interface between the guide tube and the catheter and out of the skull into the

subgaleal compartment of the scalp. The volume of brain tissue exposed to the drug can therefore be controlled by adjusting the length of the catheter that projects beyond the guide tube as well as adjusting the flow rate. Such fine control is essential if one is to contain delivery of drugs such as neurotrophins within small brain targets.

5

Example 4

In a trial the intraparenchymal catheter of the present invention was implanted into the brains of five patients with advanced Parkinson's disease via a guide tube, the distal end of which was positioned just short of the desired target. One patient had the catheter
10 implanted unilaterally and four had bilateral implants into the dorsal putamen (i.e. the desired target). Recombinant-methionyl human glial cell line derived neurotrophic factor (r-met Hu GDNF) was chronically infused through the catheters into their dorsal putamen via remotely positioned pumps (8626 Synchronomed Pumps, Medtronic Inc, Minneapolis), implanted subcutaneously in the abdominal wall. GDNF is a
15 neurotrophic factor that has been shown to reverse the symptoms of experimentally induced Parkinson's disease in animals. In this trial in humans it was infused at flow rates ranging from 2 to 8 μ l per hour and doses between 10.8 and 43.2 micrograms/putamen/day. The patients were assessed preoperatively and at six months using the internationally recognised and validated scoring system for assessing the
20 severity of Parkinson's disease, the Unified Parkinson's Disease Rating Score (UPDRS). At six months there was a 40% improvement in the patients UPDRS scores. The infusions were well tolerated and there were no major side effects.

Claims

1. A neurosurgical catheter having a fine tube arranged for insertion into the brain parenchyma of a patient with an external diameter of not more than 1.0mm.
5
2. A neurosurgical catheter according to claim 1, having an external diameter of not more than 0.7mm.
3. A neurosurgical catheter according to claim 1, having an external diameter of not
10 more than 0.65mm.
4. A neurosurgical catheter according to claim 1, having an external diameter of not more than 0.5mm.
- 15 5. A neurosurgical catheter according to any one claims 1 to 4, wherein the fine tube of the catheter is generally circular in cross-section.
6. A neurosurgical catheter according to any one claims 1 to 5, further comprising a connector tube connected to one end of the fine tube, the connector tube being of
20 greater diameter than the fine tube.
7. A neurosurgical catheter according to claim 6, further comprising a hub disposed between the fine tube and the connector tube.
- 25 8. A neurosurgical catheter according to claim 7, wherein the hub includes a passageway connecting the fine tube and the connector tube.
9. A neurosurgical catheter according to claims 8, wherein the passageway includes a first passage in which the fine tube is securely inserted.
- 30 10. A neurosurgical catheter according to claims 8 or 9, wherein the passageway includes a second passage in which the connector tube is securely inserted.

11. A neurosurgical catheter according to claim 10, when dependant on claim 9, the hub further including a link passage disposed between the first and second passages.

5 12. A neurosurgical catheter according to any one of claims 7 to 11, wherein the hub includes a cylindrical body.

13. A neurosurgical catheter according to any one of claims 7 to 12, wherein the hub includes one or more flanges by which it is secured to the skull of the patient.

10

14. A neurosurgical catheter according to claim 13, wherein the or each flange includes an internal surface defining a countersunk hole by which the hub can be secured to the skull of a patient by screws.

15 15. A neurosurgical catheter according to any one of claims 7 to 14, wherein the hub includes a stop surface adjacent to where the fine tube is secured to the hub.

16. A neurosurgical catheter according to claim 15, wherein the hub is tapered towards the stop.

20

17. Neurosurgical apparatus comprising:

a guide tube for insertion into the brain of a patient towards a desired target, the tube having distal and proximate ends and a head disposed at the proximate end of the tube for attachment to the skull of the patient; and

25 a catheter arranged for insertion into the brain parenchyma of the patient via the tube, the catheter being arranged according to any one of claims 1 to 16.

30

18. A neurosurgical catheter according to claim 17, wherein the head of the guide tube includes an externally threaded surface for engagement with the skull of the patient.

19. A neurosurgical catheter according to claim 17 or 18, wherein the head including a slotted dome structure, and wherein the catheter is arranged according to claim 15 or 16 such that the stop of the catheter abuts the dome structure as the fine tube passes through the slot.

5

20. A neurosurgical catheter according to claim 19, wherein the slot is shaped such that, as the catheter is bent over in the slot, it resists kinking.

10

21. A neurosurgical catheter according to claims 19 or 20, wherein the domed structure is shaped such that, as the catheter is bent over in the slot with the stop abutting the domed surface, the distal end of the catheter will remain accurately located at its target.

15

22. A neurosurgical guide device comprising;

a tube for insertion into the brain of a patient towards a desired target, the tube having a distal end and a proximal end;

a head disposed at the proximal end of the tube for attachment to the skull of the patient,

characterised in that the internal diameter of the tube is not more than 1mm; and
20 that the tube is of a length such that the distal end falls short of the target by between 5 and 20mm.

23. A method of positioning a catheter at a target in the brain parenchyma of a patient, comprising:

25 insertion of a neurosurgical guide into the brain towards the target, the guide including a tube having distal and proximal ends, and a head disposed at the proximal end thereof, the distal end falling short of the target by between 5 and 20mm;

securing the head to the skull; and

30 insertion of a catheter of no more than 1mm diameter through the tube and into the target.

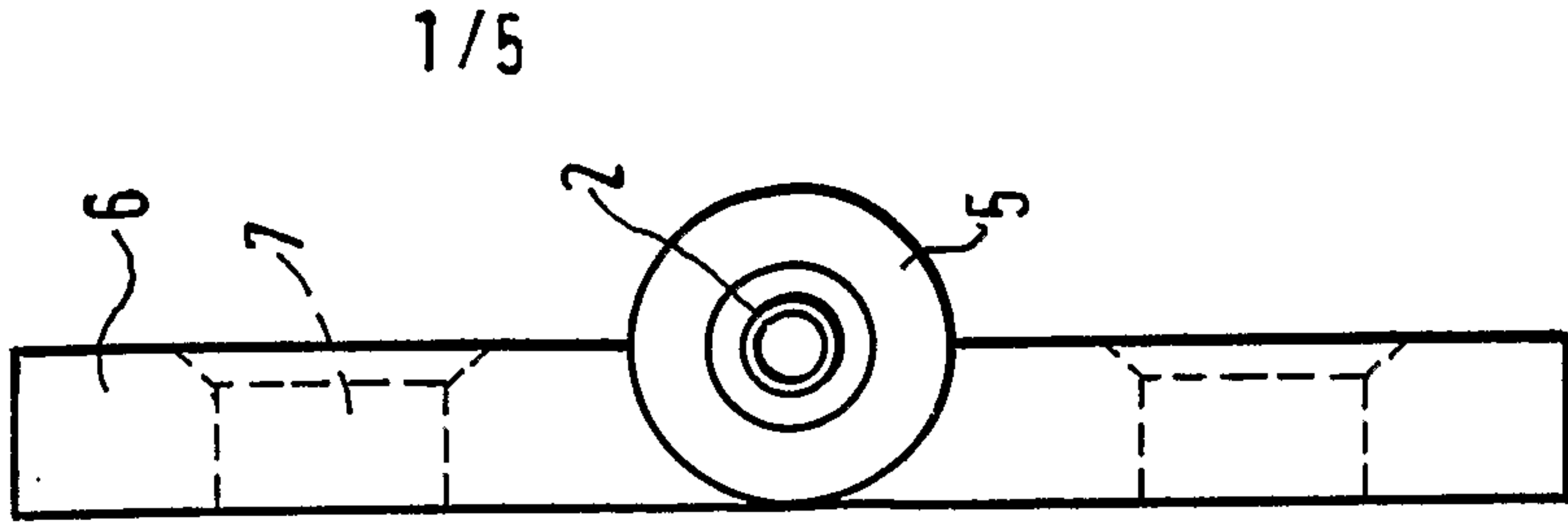
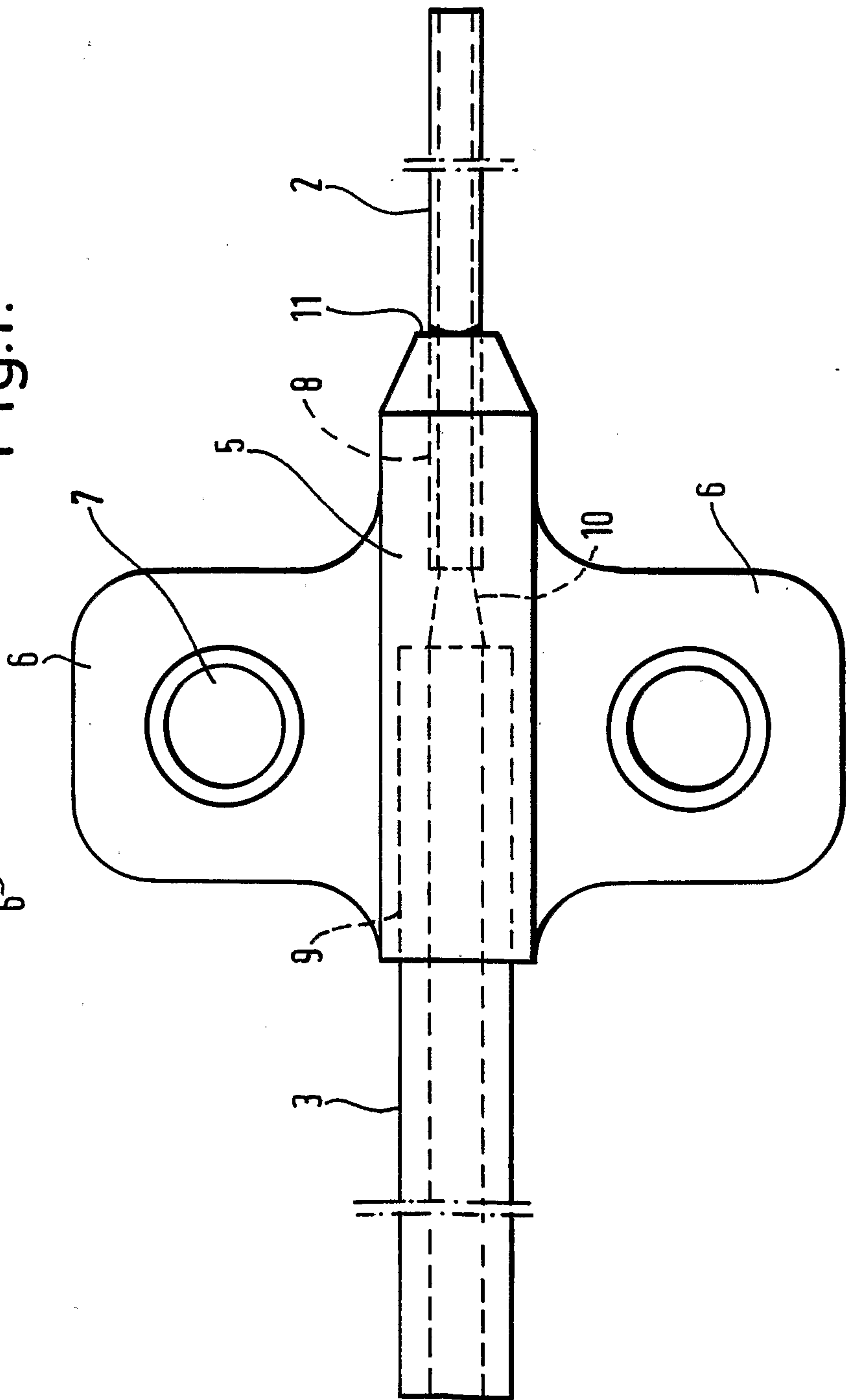
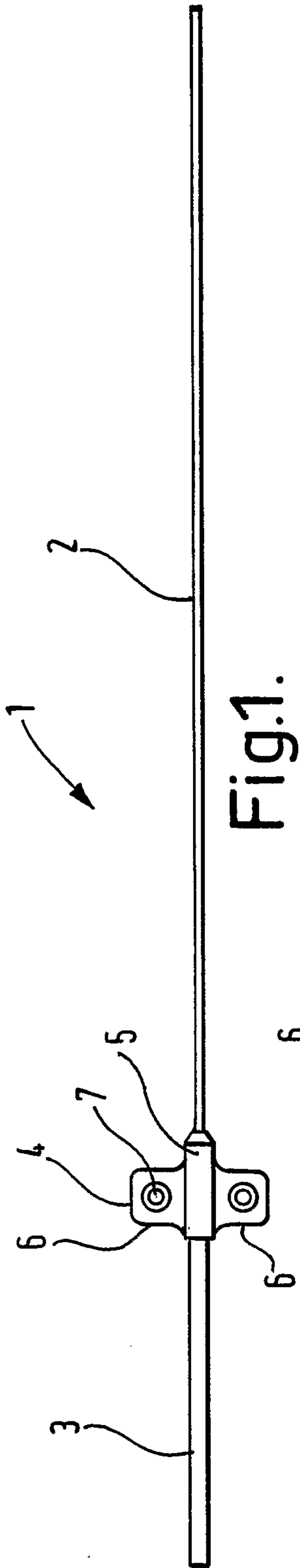
24. A kit comprising:

one or more neurosurgical catheters according to any one of claims 1 to 16;

one or more guide tubes for insertion into the brain of a patient towards a desired target, each tube having distal and proximate ends and a head disposed at the proximate end of the tube for attachment to the skull of the patient; and

5 one or more guide wires.

25. The kit according to claim 24, which is provided in a pack having separately marked sections, wherein each section contains one catheter, one guide tube and one guide wire.



1/5

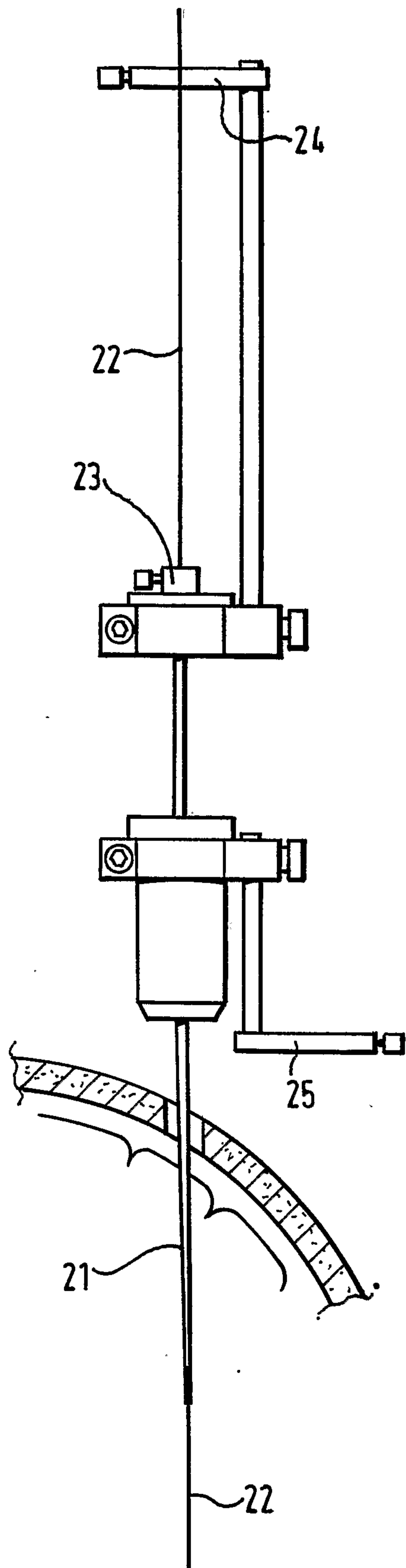


Fig.4.

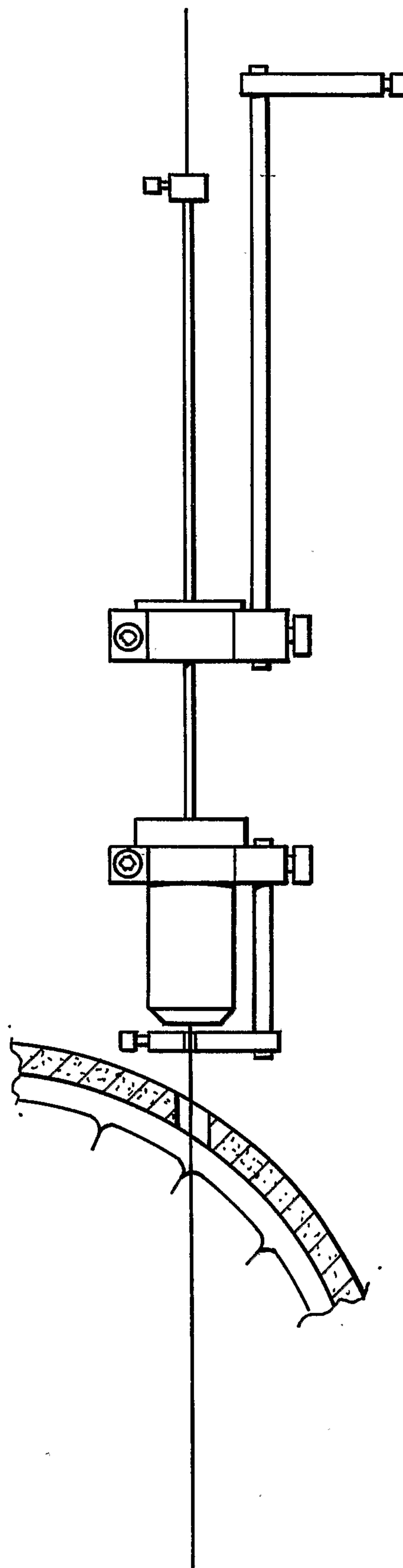


Fig.5.

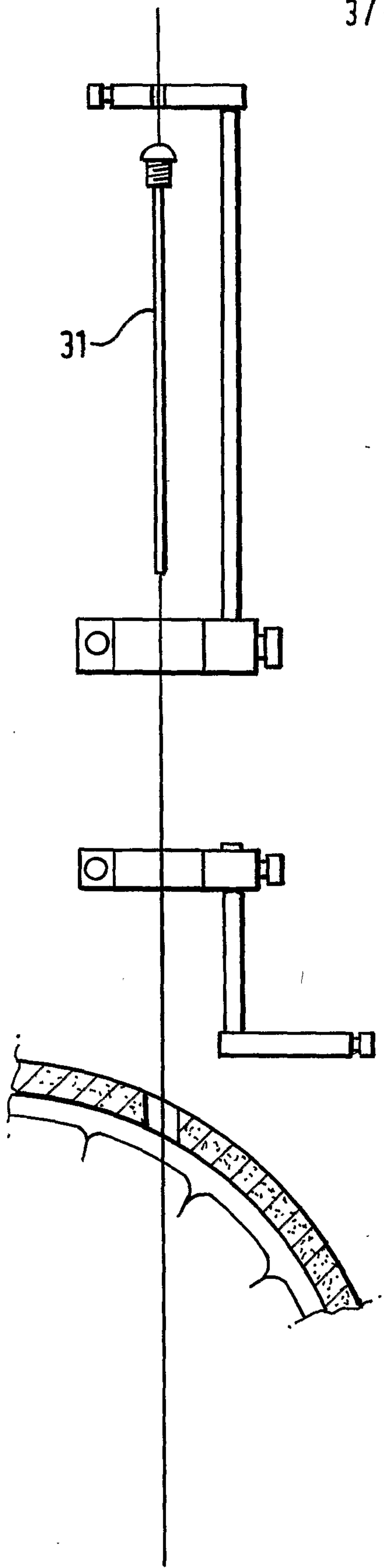


Fig.6.

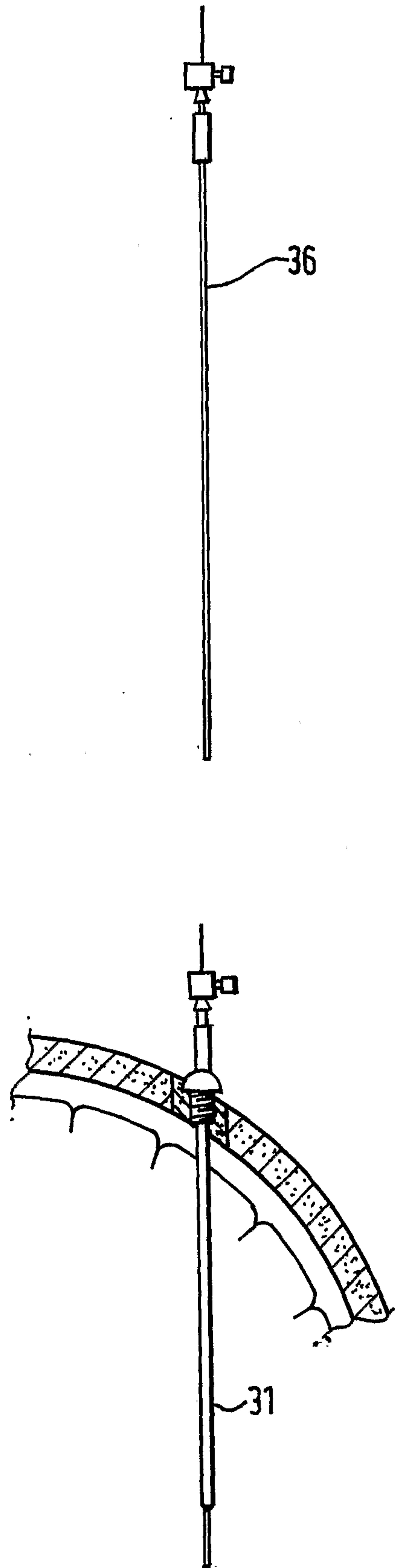


Fig.7.

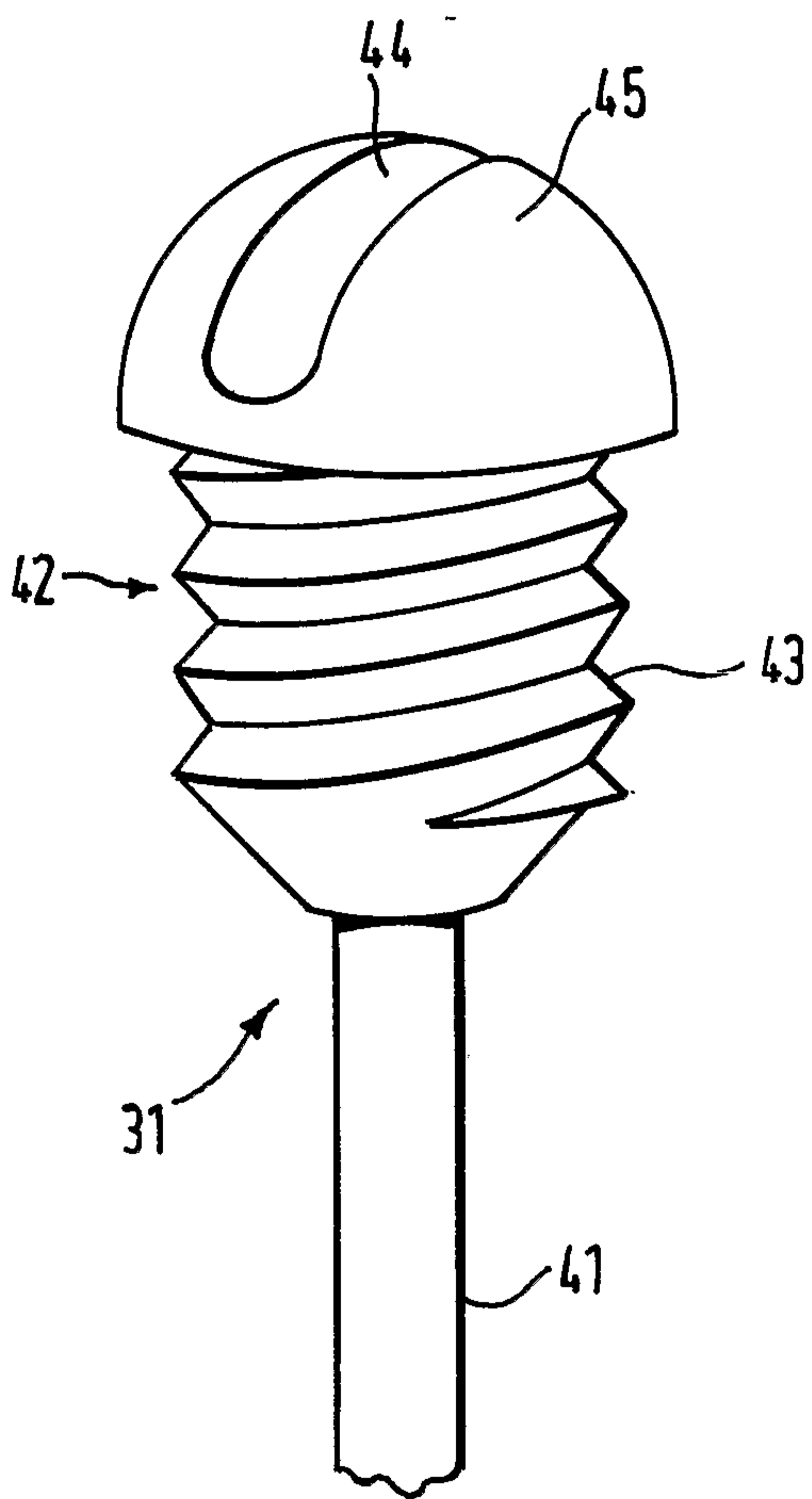


Fig. 8.

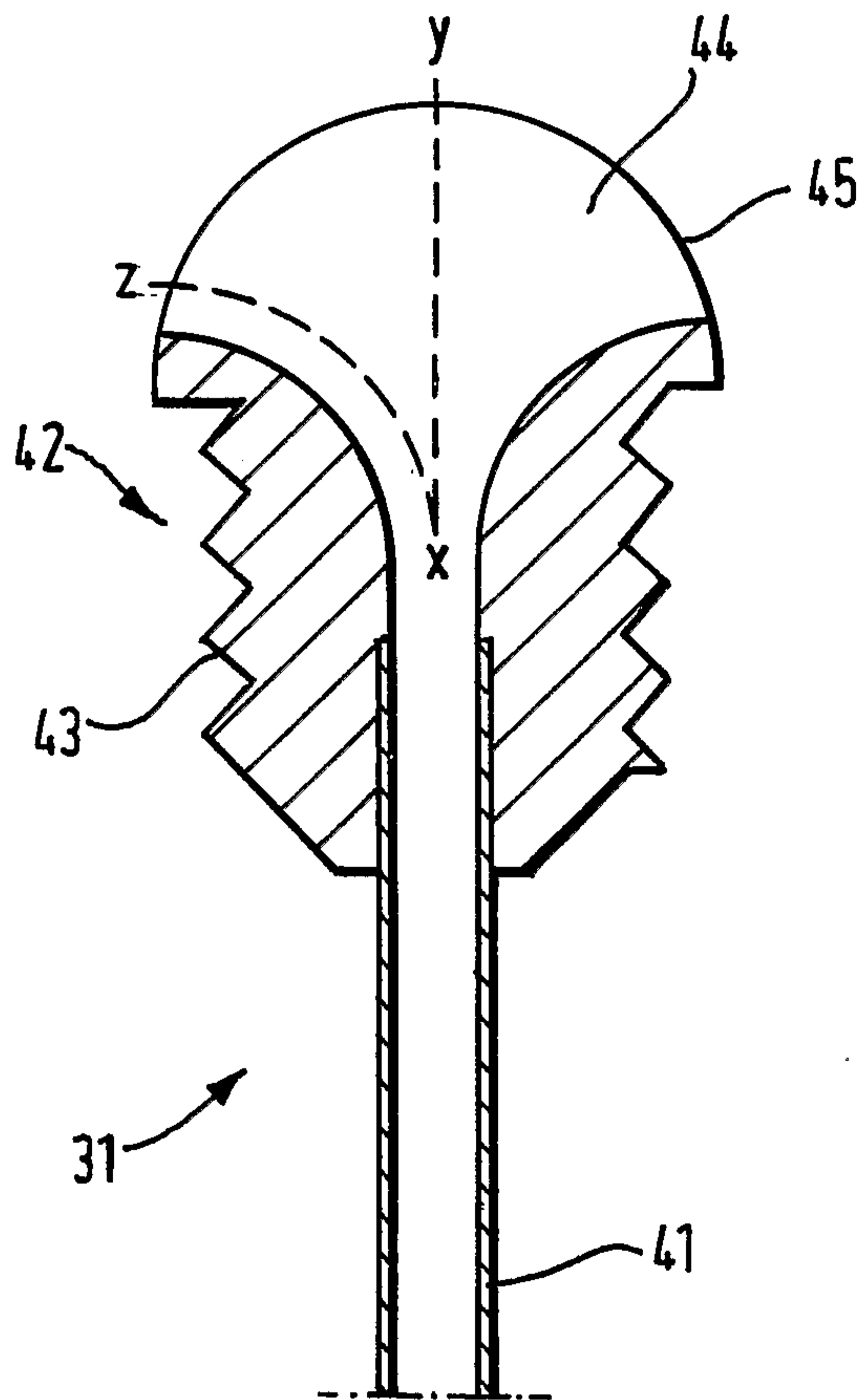


Fig. 9.

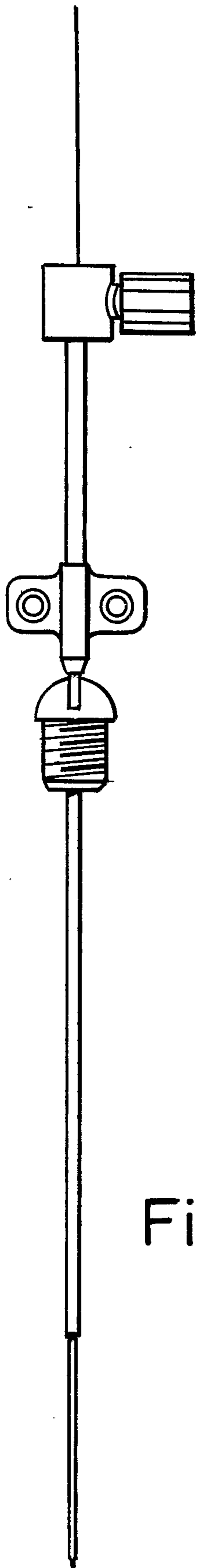


Fig.10.

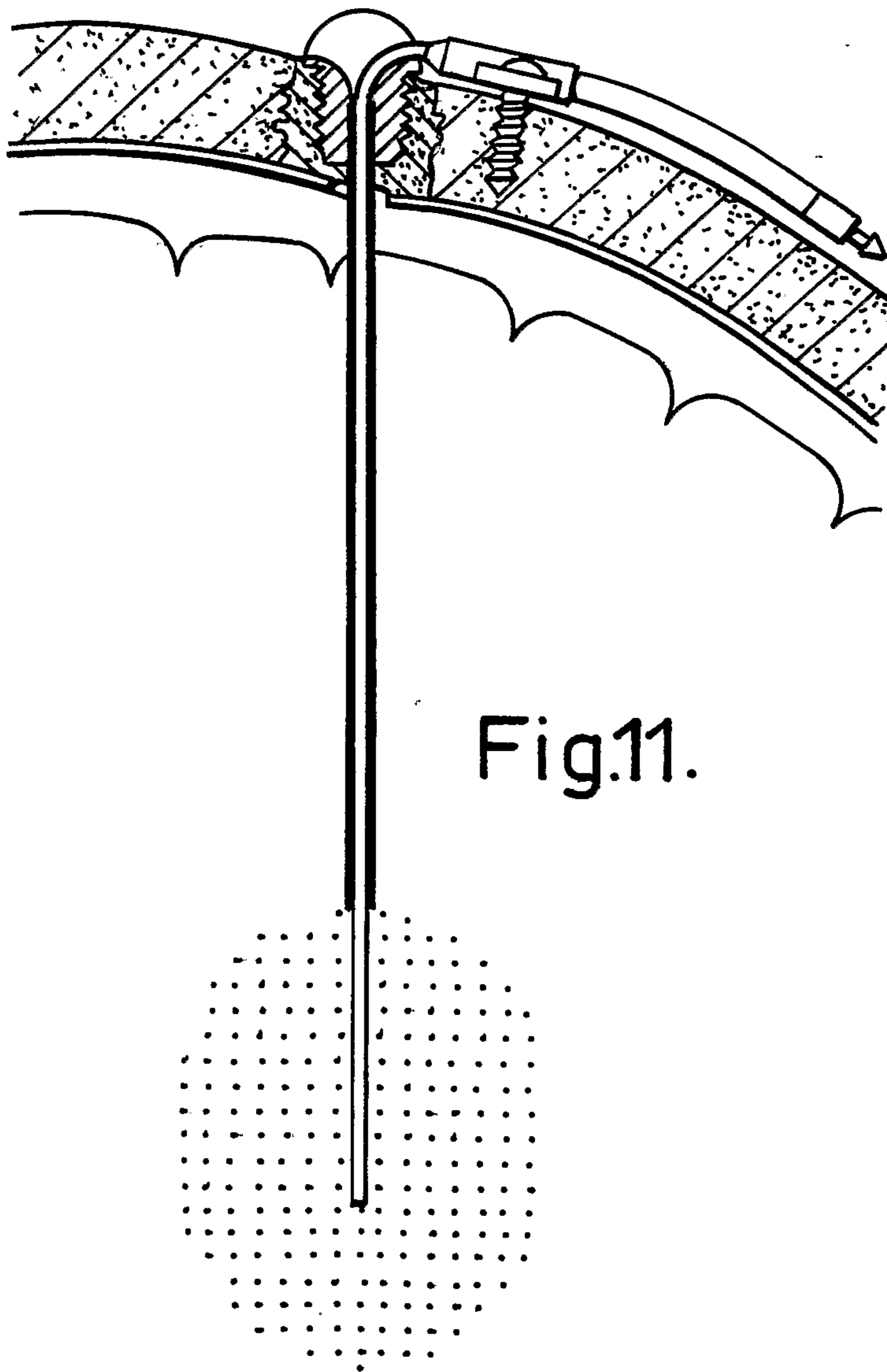


Fig.11.

