



US00D751794S

(12) **United States Design Patent**
Zenoff

(10) **Patent No.:** **US D751,794 S**

(45) **Date of Patent:** **** Mar. 22, 2016**

(54) **VISOR WITH A RECTANGULAR-SHAPED ELECTRONIC DISPLAY**

(71) Applicant: **Andrew Zenoff**, San Anselmo, CA (US)

(72) Inventor: **Andrew Zenoff**, San Anselmo, CA (US)

(73) Assignee: **Beam Authentic, LLC**, San Anselmo, CA (US)

(**) Term: **14 Years**

(21) Appl. No.: **29/500,393**

(22) Filed: **Aug. 25, 2014**

(51) **LOC (10) Cl.** **02-03**

(52) **U.S. Cl.**
USPC **D2/876; D2/866**

(58) **Field of Classification Search**
USPC D2/865, 866, 869, 871, 872, 873, 875, D2/876, 879, 882, 884, 885, 897, 893, D2/895; D21/386; D6/300; D11/75, 86, D11/132, 140; D14/125, 126, 300, 341, D14/371, 374, 448, 450, 507; D26/39; D29/102, 103, 104, 122
CPC A42B 1/00; A42B 1/002; A42B 1/004; A42B 1/006; A42B 1/008; A42B 1/04; A42B 1/06; A42B 1/062; A42B 1/18; A42B 1/22; A42B 1/225; A42B 1/24; A42B 1/242; A42B 1/244; A42B 1/245; A42B 1/248; A42B 1/206; A42C 5/02; G02B 27/017; G02B 27/0172; G02B 2027/0174; G02B 23/125; G09F 21/02; G09F 2021/023

See application file for complete search history.

(56) **References Cited**

U.S. PATENT DOCUMENTS

65,871 A 6/1867 Browne
260,332 A 6/1882 Simonson
1,190,427 A 7/1916 Kromer, Jr.
1,215,311 A 2/1917 Miller

D58,303 S 7/1921 Bartholomew
1,427,891 A 9/1922 Ziegler
D62,863 S 8/1923 Strauss
1,481,975 A 1/1924 Bender
D64,441 S * 4/1924 Cabell D2/876
1,502,160 A 7/1924 Reinthal
D66,331 S 12/1924 Pegg
1,560,073 A 11/1925 Bontempi et al.
1,566,663 A 12/1925 Finkelstein
1,582,812 A 4/1926 Avin
1,606,798 A 11/1926 Karger

(Continued)

FOREIGN PATENT DOCUMENTS

CN 203327079 U 12/2013
WO WO-2012061438 A2 5/2012
WO WO-2014054211 A1 4/2014

OTHER PUBLICATIONS

U.S. Appl. No. 29/499,861, filed Aug. 19, 2014, Zenoff.

(Continued)

Primary Examiner — Karen E. Eldridge Powers
Assistant Examiner — Jasmine Mlinarcik
(74) *Attorney, Agent, or Firm* — Wilson Sonsini Goodrich & Rosati

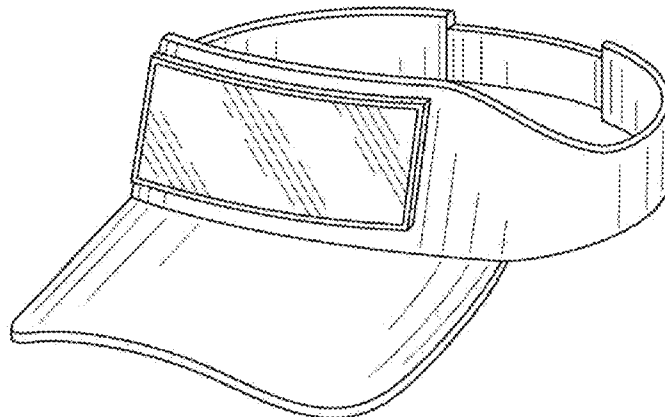
(57) **CLAIM**

The ornamental design for a visor with a rectangular-shaped electronic display, as shown.

DESCRIPTION

FIG. 1 shows a perspective view of a visor with a rectangular-shaped electronic display;
FIG. 2 shows a front elevation view of the visor with a rectangular-shaped electronic display;
FIG. 3 shows a side elevation view of the visor with a rectangular-shaped electronic display; and,
FIG. 4 shows a top plan view of the visor with a rectangular-shaped electronic display.

1 Claim, 2 Drawing Sheets



US D751,794 S

(56)	References Cited		
	U.S. PATENT DOCUMENTS		
1,616,475 A	2/1927 Tracey		7,219,374 B2 * 5/2007 Cho A42B 1/22 2/181
D79,398 S	9/1929 Wittcoff	D558,431 S	1/2008 Pritchett
D115,046 S	5/1939 Marks	D558,955 S	1/2008 Taylor
D130,393 S	11/1941 Maxwell et al.	7,331,064 B1	2/2008 Quintal
2,682,667 A	7/1954 Michelstetter	7,424,751 B1	9/2008 Miller
3,346,153 A	10/1967 Galasso	D577,879 S	10/2008 Jones
3,895,797 A	7/1975 Moore	7,490,364 B2	2/2009 Kim
D251,336 S *	3/1979 Getgey D2/876	D600,879 S	9/2009 Accardi
D263,092 S *	2/1982 Fay D2/876	D603,144 S	11/2009 South
4,535,478 A	8/1985 Zuefle	D603,585 S *	11/2009 Capriola D2/866
4,710,981 A	12/1987 Sanchez	7,621,000 B1	11/2009 Fulton
4,827,384 A	5/1989 Von Schlemmer	D607,627 S *	1/2010 Kowalczyk D2/876
4,834,688 A	5/1989 Jones	D608,531 S	1/2010 Kronenberger
4,873,726 A	10/1989 Tapia	D621,590 S	8/2010 Martin
4,924,613 A	5/1990 Levin	D624,286 S	9/2010 Hall
5,054,127 A	10/1991 Zevchak	D625,082 S	10/2010 Jones
5,167,559 A	12/1992 Power-Fardy	D630,822 S	1/2011 Thomas
D333,030 S	2/1993 Wilkes	D635,336 S	4/2011 Alger
D350,221 S	9/1994 Van Doren	D635,976 S	4/2011 Lee et al.
5,359,733 A *	11/1994 Brannon A42B 1/248	D636,562 S	4/2011 Lam et al.
	2/195.1	7,974,432 B1	7/2011 Ryan
5,437,062 A *	8/1995 Douglas A42B 1/064	7,992,224 B2	8/2011 Tai
	2/10	D647,286 S *	10/2011 Malek D2/866
5,452,479 A *	9/1995 Mostert A42B 1/248	D649,744 S	12/2011 Weinshanker
	2/195.1	D659,351 S	5/2012 Benkendorfer
5,454,120 A	10/1995 Rowlands	D660,554 S	5/2012 Blackshear
5,462,471 A	10/1995 Power-Fardy	D670,068 S	11/2012 Bomze
5,465,426 A	11/1995 Beaton	D671,716 S	12/2012 Lam et al.
5,548,847 A	8/1996 Spicijaric	8,364,220 B2	1/2013 Sandmore
5,621,914 A	4/1997 Ramone et al.	8,453,265 B2	6/2013 Forte et al.
5,632,044 A	5/1997 Sloom	8,458,820 B2	6/2013 Cleva
D383,892 S	9/1997 Virzi	8,626,586 B1	1/2014 Biere et al.
D396,546 S	8/1998 Marrs	D699,928 S	2/2014 Tien
D397,239 S	8/1998 Marrs	D701,504 S	3/2014 Christopher et al.
5,794,267 A	8/1998 Wallace	8,677,515 B2	3/2014 Ishihara et al.
D401,738 S	12/1998 Scerbo	D703,069 S	4/2014 Adams et al.
D403,491 S	1/1999 Wyatt et al.	D704,925 S	5/2014 Cho
D405,239 S	2/1999 Kostinko	D705,527 S	5/2014 Clark
D406,687 S	3/1999 Thorpe	D709,675 S	7/2014 Cho
D407,190 S	3/1999 Day	D710,220 S	8/2014 Daniel
5,943,698 A	8/1999 Blanks, I	D711,002 S	8/2014 Ohnemus et al.
5,960,476 A	10/1999 Danzy	D712,635 S	9/2014 Rivas
D418,279 S *	1/2000 Day D2/882	D713,622 S	9/2014 Steel
D424,282 S	5/2000 Crumpton et al.	D714,031 S	9/2014 Javits, Jr.
D427,751 S	7/2000 Richlin	8,869,312 B2	10/2014 Tuohy et al.
6,154,992 A	12/2000 Lee	D717,019 S	11/2014 Van Dalen
D438,374 S	3/2001 Hayman	D718,731 S	12/2014 Lee et al.
D444,618 S	7/2001 Wilson	8,898,820 B2	12/2014 Sokolowski et al.
D447,318 S *	9/2001 Gath D2/876	D721,874 S	2/2015 Robbins et al.
D452,767 S	1/2002 Balloni et al.	8,950,012 B2	2/2015 Ilges et al.
D459,059 S *	6/2002 Park D2/876	D729,650 S	5/2015 Phillips et al.
6,408,443 B1 *	6/2002 Park A42B 1/248	D733,130 S	6/2015 Kim et al.
	2/195.1	D734,329 S	7/2015 Lee
D460,604 S	7/2002 Sullivan, Jr.	D736,768 S	8/2015 Kuwabara et al.
6,470,499 B1	10/2002 Joiner	2001/0034894 A1	11/2001 Godfrey et al.
D472,695 S	4/2003 Lee	2003/0073412 A1	4/2003 Meade et al.
D473,039 S	4/2003 Erspamer	2003/0221234 A1 *	12/2003 Wang A42B 1/22 2/12
D482,185 S *	11/2003 Park D2/876	2004/0221368 A1	11/2004 Okot
D483,173 S	12/2003 Harris et al.	2005/0132470 A1	6/2005 Wong
D483,928 S	12/2003 Mansell et al.	2006/0112707 A1	6/2006 Tu
6,751,805 B1	6/2004 Austion	2006/0117458 A1	6/2006 Ishihara et al.
D494,745 S	8/2004 Kronenberger	2006/0206985 A1	9/2006 Proctor
D496,146 S	9/2004 Appleberry	2006/0209218 A1	9/2006 Lee et al.
D496,775 S	10/2004 Tanner	2007/0056078 A1	3/2007 Tseng
6,810,533 B1 *	11/2004 Nahabedian A42B 1/206	2007/0182664 A1 *	8/2007 Himmele A42B 1/248 345/8
	2/209.3	2007/0247312 A1	10/2007 Sekine
6,820,281 B2	11/2004 Mariland et al.	2008/0000013 A1	1/2008 Talley
D502,589 S *	3/2005 Lee D2/876	2009/0251888 A1	10/2009 Douglas
D509,947 S	9/2005 Fortune	2009/0310290 A1	12/2009 Tennent
6,948,189 B2	9/2005 Early	2010/0058514 A1	3/2010 Koh
D517,283 S	3/2006 Shin et al.	2010/0095573 A1	4/2010 Lifshitz
D523,612 S	6/2006 Steger	2010/0100004 A1	4/2010 Van Someren
D539,012 S	3/2007 Evans	2010/0131613 A1	5/2010 Jonsson et al.
D543,338 S	5/2007 Park	2010/0299979 A1	12/2010 Lamere
		2010/0306808 A1	12/2010 Neumeier et al.

(56)

References Cited

U.S. PATENT DOCUMENTS

2010/0313334 A1* 12/2010 Moy A42B 1/248
2/209.13

2011/0041238 A1 2/2011 Brzoska
2011/0094016 A1 4/2011 Paulson
2011/0187681 A1 8/2011 Kim et al.
2011/0246908 A1 10/2011 Akram et al.
2011/0295749 A1 12/2011 Scalisi
2012/0005809 A1 1/2012 Johnson
2012/0089437 A1 4/2012 Amento et al.
2012/0163269 A1 6/2012 Shuster et al.
2012/0256902 A1 10/2012 Tam et al.
2012/0264492 A1 10/2012 Stewart
2012/0324076 A1 12/2012 Zerr et al.
2013/0188322 A1 7/2013 Lowe et al.
2013/0222270 A1 8/2013 Winkler et al.
2013/0333095 A1 12/2013 Dudick
2014/0053316 A1 2/2014 Su
2014/0098009 A1 4/2014 Prest et al.
2014/0111323 A1 4/2014 Strout et al.
2014/0121539 A1 5/2014 Chatterjee et al.
2014/0160055 A1 6/2014 Margolis et al.
2014/0173807 A1 6/2014 Waters
2014/0176417 A1 6/2014 Young et al.
2015/0033445 A1 2/2015 Warner et al.
2015/0096104 A1 4/2015 Kim
2015/0146903 A1 5/2015 Mariasov
2015/0164166 A1 6/2015 Tsai
2015/0250245 A1 9/2015 Waters

OTHER PUBLICATIONS

U.S. Appl. No. 29/499,864, filed Aug. 19, 2014, Zenoff.
U.S. Appl. No. 29/499,867, filed Aug. 19, 2014, Zenoff.

U.S. Appl. No. 29/499,866, filed Aug. 19, 2014, Zenoff.
U.S. Appl. No. 29/500,139, filed Aug. 21, 2014, Zenoff.
U.S. Appl. No. 29/500,381, filed Aug. 25, 2014, Zenoff.
U.S. Appl. No. 29/500,384, filed Aug. 25, 2014, Zenoff.
U.S. Appl. No. 29/500,387, filed Aug. 25, 2014, Zenoff.
U.S. Appl. No. 29/500,391, filed Aug. 25, 2014, Zenoff.
U.S. Appl. No. 29/500,399, filed Aug. 25, 2014, Zenoff.
U.S. Appl. No. 29/500,405, filed Aug. 25, 2014, Zenoff.
U.S. Appl. No. 29/500,407, filed Aug. 25, 2014, Zenoff.
U.S. Appl. No. 29/500,408, filed Aug. 25, 2014, Zenoff.
U.S. Appl. No. 29/500,504, filed Aug. 26, 2014, Zenoff.
U.S. Appl. No. 29/500,506, filed Aug. 26, 2014, Zenoff.
U.S. Appl. No. 29/500,509, filed Aug. 26, 2014, Zenoff.
U.S. Appl. No. 29/500,512, filed Aug. 26, 2014, Zenoff.
U.S. Appl. No. 29/500,514, filed Aug. 26, 2014, Zenoff.
U.S. Appl. No. 29/500,546, filed Aug. 26, 2014, Zenoff.
U.S. Appl. No. 29/500,551, filed Aug. 26, 2014, Zenoff.
U.S. Appl. No. 29/500,553, filed Aug. 26, 2014, Zenoff.
U.S. Appl. No. 29/500,555, filed Aug. 26, 2014, Zenoff.
U.S. Appl. No. 29/500,557, filed Aug. 26, 2014, Zenoff.
U.S. Appl. No. 29/500,558, filed Aug. 26, 2014, Zenoff.
U.S. Appl. No. 29/500,562, filed Aug. 26, 2014, Zenoff.
U.S. Appl. No. 29/500,564, filed Aug. 26, 2014, Zenoff.
Alibaba.com. Mobile billboard advertising led truck new technology product in china mobile truck led tv screen. Available at http://www.alibaba.com/product-detail/mobile-billboard-advertising-led-truck-new_60181386676.html. Accessed on Jul. 24, 2015.
Webbozz.com. Stylish Circular Display Smart Watch—Motorola Moto 360. Feb. 2013. Available at <http://www.webbozz.com/stylish-circular-display-smart-watch-motorola-moto-360>. Accessed on Jul. 23, 2015.

* cited by examiner

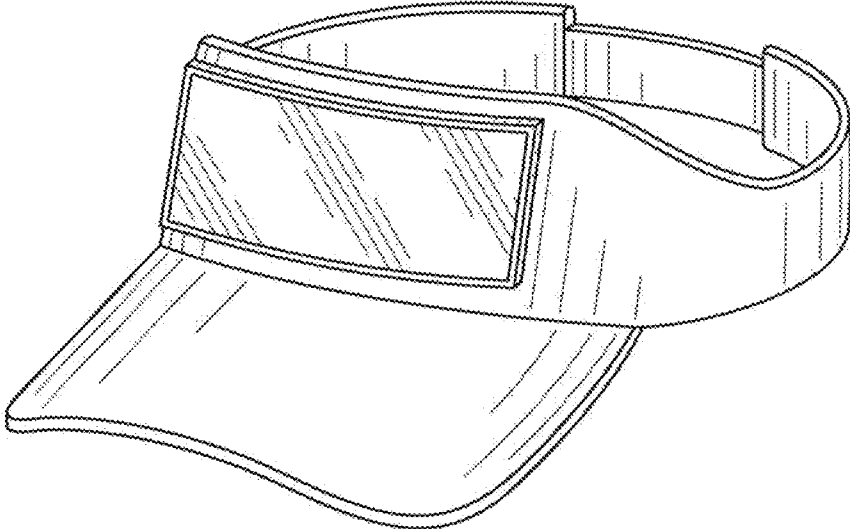


FIG. 1

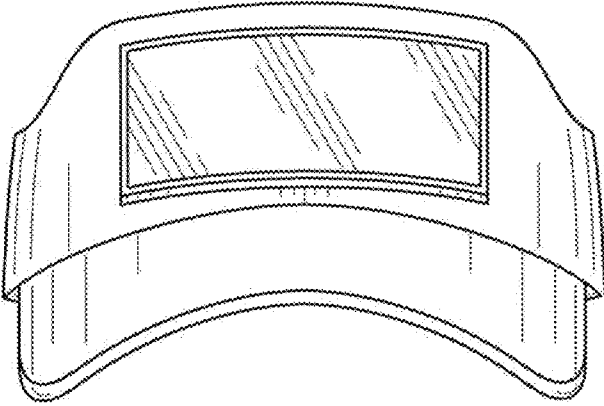


FIG. 2

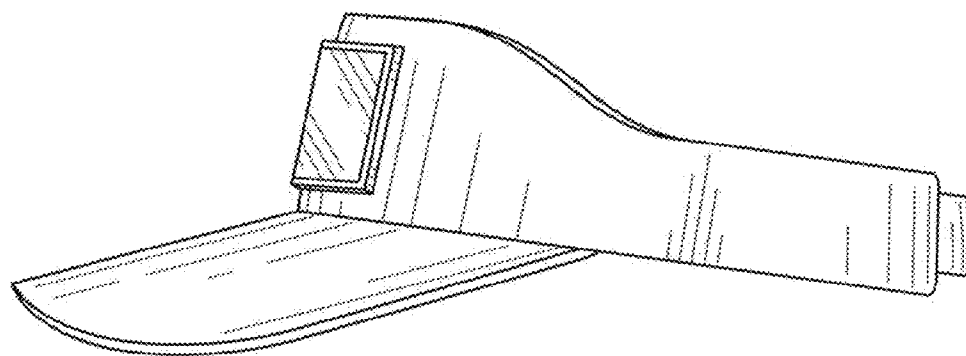


FIG. 3

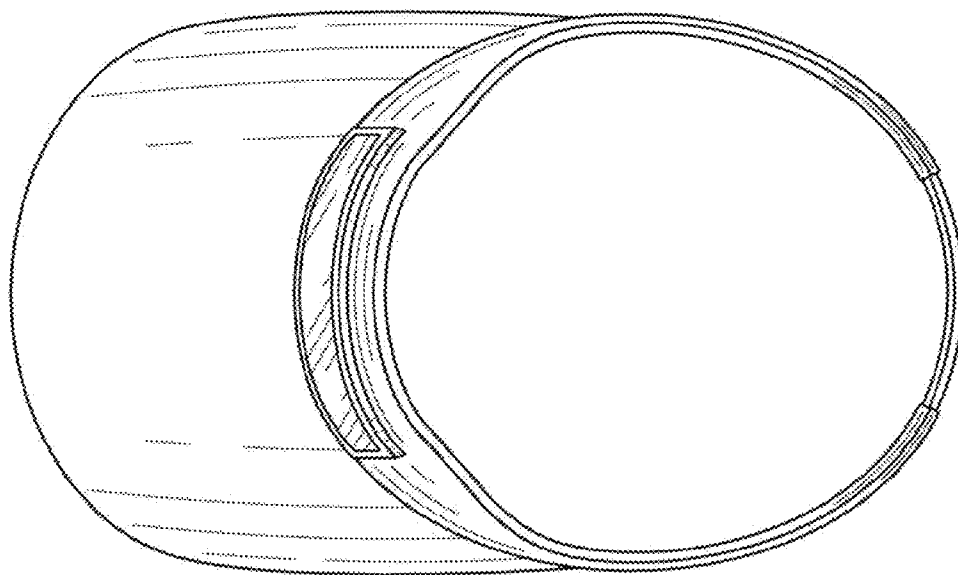


FIG. 4