



US0D1015641S

(12) **United States Design Patent**
Jun

(10) **Patent No.:** **US D1,015,641 S**

(45) **Date of Patent:** **** Feb. 20, 2024**

(54) **MAKEUP TOOL ORGANIZER**

(71) Applicant: **Dong Ho Jun**, Seoul (KR)

(72) Inventor: **Dong Ho Jun**, Seoul (KR)

(**) Term: **15 Years**

(21) Appl. No.: **29/794,217**

(22) Filed: **Jun. 10, 2021**

(30) **Foreign Application Priority Data**

Dec. 10, 2020 (KR) 30-2020-0060962

Jun. 8, 2021 (KR) 30-2021-0027297

(51) **LOC (14) Cl.** **28-03**

(52) **U.S. Cl.**
USPC **D28/73; D7/600.1**

(58) **Field of Classification Search**
USPC ... D28/9, 38, 56, 57, 58, 59, 61, 62, 73, 75,
D28/76, 77, 78, 79, 80, 81, 82, 83, 84,
D28/99; D6/513, 525, 526, 531, 567,
D6/570, 672, 675, 682.2; D7/600.1,
D7/600.2, 600.3, 600.4, 704; D19/75, 77;
D21/302-303, 468, 480, 342, 362;
D24/227, 229, 230
CPC A45D 27/00; A45D 27/22; A45D 27/29;
A45D 44/02; A45D 44/04; A45D 44/06;
A45D 44/14; A45D 33/00; A45D 33/005;
A45D 33/006; A45D 33/34; A45D 44/00;
A45D 40/00; A45D 2040/006; A47F
9/00; A47F 9/005; A47F 3/00; A47F
3/14; A47F 3/145; A47F 3/06; A47F
3/063; A47F 7/00; A47F 7/0021; A47F
7/0028; A47F 7/08; A47F 2003/066;
Y10S 206/00; Y10S 206/822; B65D
11/00; B65D 11/10; B65D 11/12; B65D
2581/00; B65D 2571/00; B65D 81/00
See application file for complete search history.

(56) **References Cited**

U.S. PATENT DOCUMENTS

- 4,907,705 A * 3/1990 Waldeck A47F 7/0028
211/195
- D325,849 S * 5/1992 Melcher D6/682.2
- D363,365 S * 10/1995 Beaudoin D28/86
- D538,538 S * 3/2007 Espinosa D3/313
- D601,343 S * 10/2009 Franczyk D3/313
- D620,728 S * 8/2010 Snider A47J 47/16
D7/600.1
- D634,979 S * 3/2011 Tiemann A47J 47/16
D7/600.4
- D706,355 S * 6/2014 Montenare D21/303

(Continued)

OTHER PUBLICATIONS

Hammond Sloped Front Pushbutton Enclosures, posted Jul. 14, 2014 [online], [retrieved Apr. 10, 2023]. Retrieved from internet, <https://www.amazon.com/dp/B00LT0JL1O> (Year: 2014).*

(Continued)

Primary Examiner — Alison M Ofstun

Assistant Examiner — Evin F Ershock

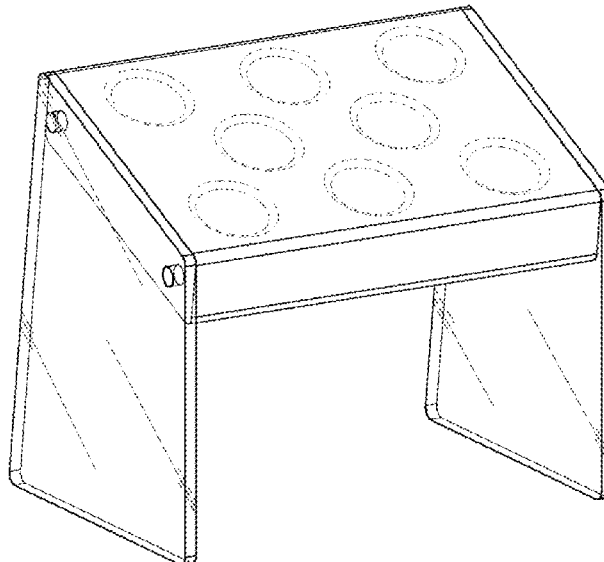
(57) **CLAIM**

The ornamental design for a makeup tool organizer, as shown and described.

DESCRIPTION

FIG. 1 is a perspective view of a makeup tool organizer, showing my new design.
FIG. 2 is a front view of FIG. 1.
FIG. 3 is a rear view of FIG. 1.
FIG. 4 is a left side view of FIG. 1. The right side view of FIG. 1 is a mirror image of the left side view of FIG. 1.
FIG. 5 is a top plan view of FIG. 1; and,
FIG. 6 is a bottom plan view of FIG. 1.
The broken lines are shown for illustrating portions of the article, and form no part of the claimed design.

1 Claim, 6 Drawing Sheets



(56)

References Cited

U.S. PATENT DOCUMENTS

D739,680 S * 9/2015 Smeja D7/600.1
 D833,829 S * 11/2018 Hertaus D7/600.1
 D910,387 S * 2/2021 Bhargava D7/698
 D913,753 S * 3/2021 Zheng D7/600.1
 D931,684 S * 9/2021 Zeng D7/600.4
 D974,851 S * 1/2023 Shen D7/600.4
 2009/0314728 A1* 12/2009 Oshry A45D 44/04
 211/85.18
 2022/0296749 A1* 9/2022 Jun A61L 2/26

OTHER PUBLICATIONS

Barber Hairstylist Gift 9 Hole Premium Hair Scissors Holder, posted Jun. 8, 2021 [online], [retrieved Apr. 10, 2023]. Retrieved from internet, <https://www.amazon.com/dp/B096WJTKGB/> (Year: 2021).*

R8 Collet Rack, posting date unknown [online], [retrieved Apr. 10, 2023]. Retrieved from internet, <https://smithy.com/products/r8-collet-rack?variant=32142924677185> (Year: 2023).*

All Industrial 41280 | 5C Collet 30 Hole Storage Rack, earliest review Sep. 6, 2021 [online], [retrieved Apr. 10, 2023]. Retrieved from internet, <https://allindustrial.com/all-industrial-41280-5c-collet-30-hole-storage-rack-wall-machine-mount/> (Year: 2021).*

* cited by examiner

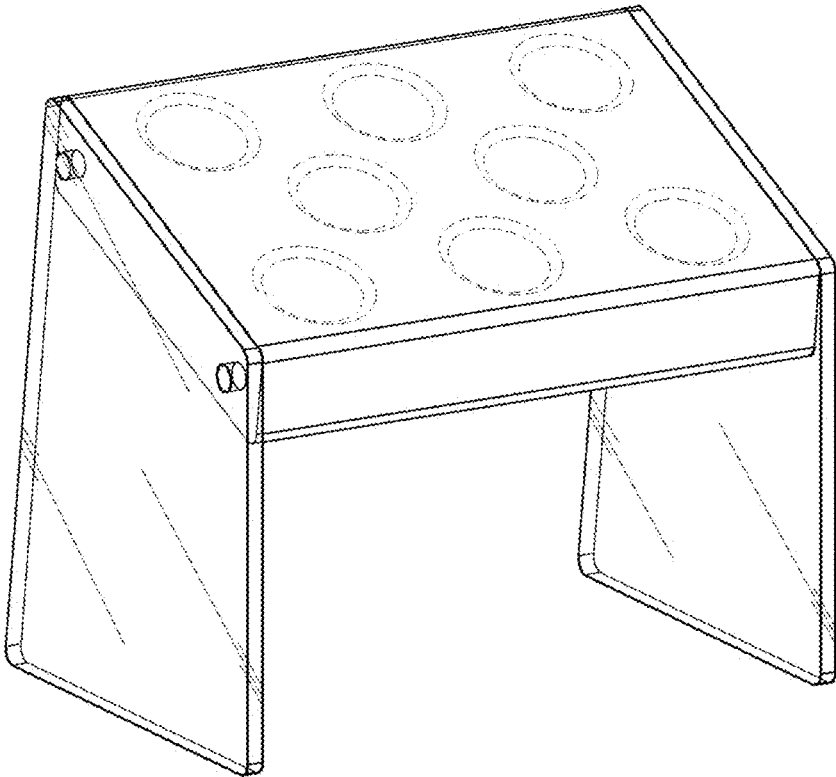


FIG. 1

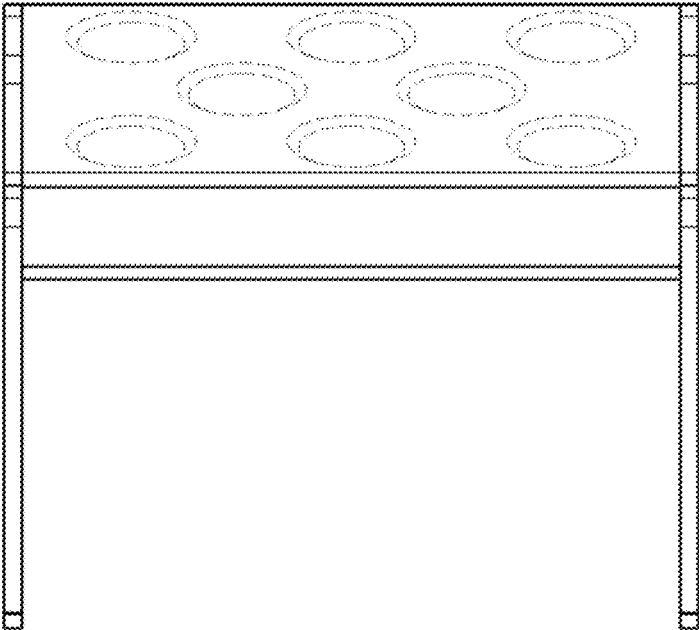


FIG. 2

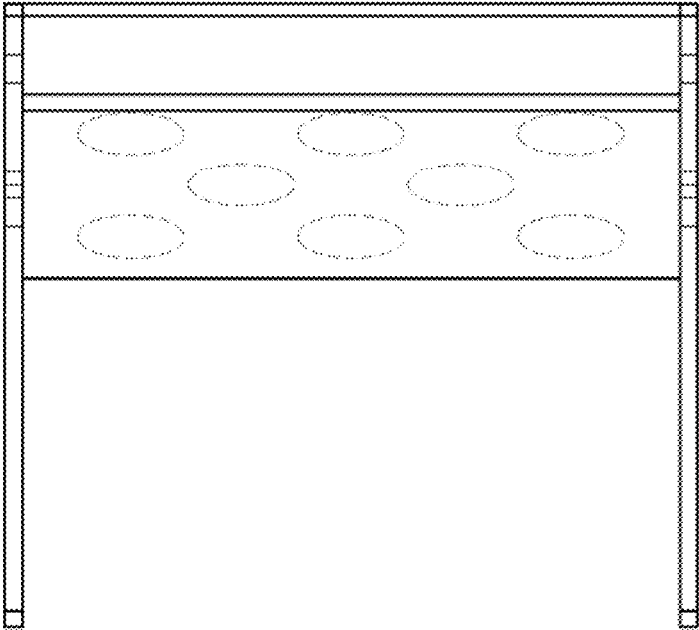


FIG. 3

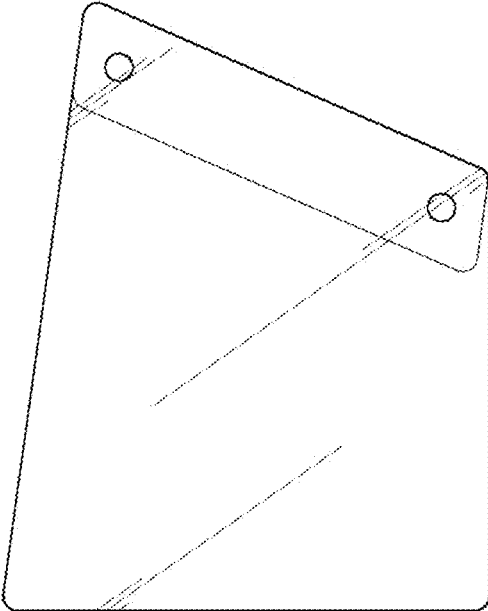


FIG. 4

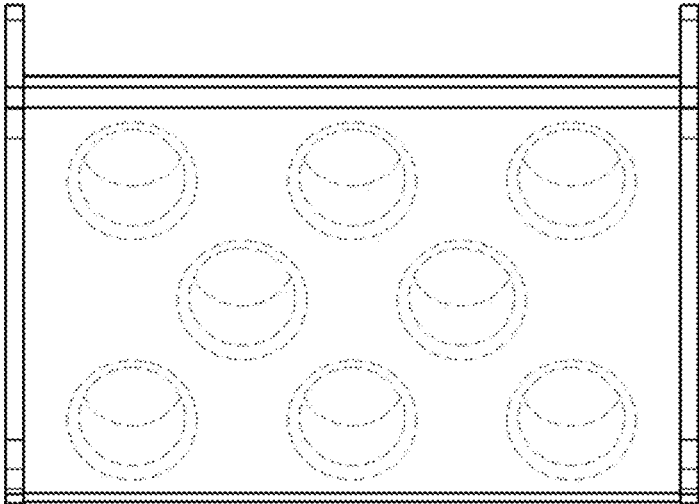


FIG. 5

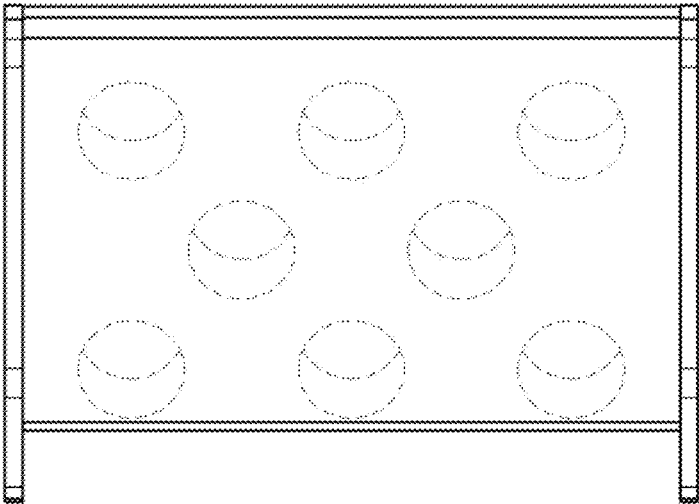


FIG. 6