



US00D883720S

(12) **United States Design Patent**
Johnson et al.

(10) **Patent No.:** **US D883,720 S**

(45) **Date of Patent:** **** May 12, 2020**

- (54) **DISPLAY UNIT**
- (71) Applicant: **Target Brands, Inc.**, Minneapolis, MN (US)
- (72) Inventors: **Jason W. Johnson**, Wayzata, MN (US);
Jennifer A. Theisen, Crystal, MN (US)
- (73) Assignee: **Target Brands, Inc.**, Minneapolis, MN (US)
- (**) Term: **15 Years**
- (21) Appl. No.: **29/679,969**
- (22) Filed: **Feb. 12, 2019**
- (51) **LOC (12) Cl.** **06-06**
- (52) **U.S. Cl.**
USPC **D6/677.1**
- (58) **Field of Classification Search**
USPC D6/672-673, 677, 677.1, 702, 705;
D7/601-602
CPC A47J 47/16; A47G 19/02; A47G 23/06;
A47F 5/0018; A47F 5/0043; A47F 5/04
See application file for complete search history.

D362,787 S *	10/1995	Burke	D7/501
D407,920 S	4/1999	Duffield		
6,296,335 B1	10/2001	Compagnucci		
D451,703 S	12/2001	All		
6,520,352 B2 *	2/2003	Mondragon	A47F 5/02 211/129.1
D480,581 S	10/2003	Searer		
6,688,239 B1 *	2/2004	Pettini	A47B 7/02 108/50.11
7,144,610 B1 *	12/2006	Estes	A47B 97/00 428/19
D549,985 S	9/2007	Carroll		
D561,539 S	2/2008	Snider et al.		
D577,962 S	10/2008	Bauer et al.		
D601,365 S	10/2009	LaValley et al.		
D603,187 S	11/2009	Conway		
D605,353 S	12/2009	Lee et al.		
D614,002 S *	4/2010	Heap	D7/610
D642,405 S	8/2011	Frohne		
D656,758 S	4/2012	Snider		
D664,010 S *	7/2012	Goode	D7/610
8,813,661 B2 *	8/2014	Fakahany	A47B 87/0246 108/92

(Continued)

Primary Examiner — Kelley A Donnelly
(74) *Attorney, Agent, or Firm* — Leanne Taveggia Farrell;
Westman, Champlin & Koehler, P.A.

(56) **References Cited**

U.S. PATENT DOCUMENTS

197,931 A *	12/1877	Haight	A47B 11/00 108/94
1,908,797 A *	5/1933	Svalland	A47B 49/004 312/305
D149,046 S	3/1948	Blumenthal et al.		
D200,117 S *	1/1965	Kolarik	D7/590
3,169,496 A *	2/1965	Muggli	A47G 23/08 108/94
3,951,079 A	4/1976	Tolleson		
D241,192 S	8/1976	Salcer		
D275,154 S	8/1984	Stoiber		
D354,862 S	1/1995	Goldberg		

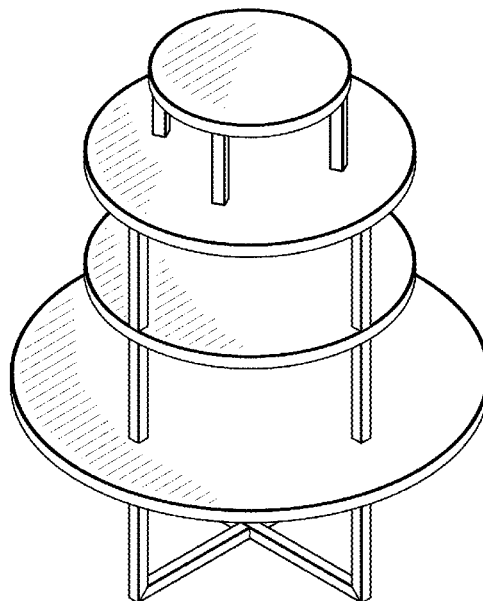
(57) **CLAIM**

The ornamental design for a display unit, as shown.

DESCRIPTION

FIG. 1 is a perspective view of a display unit showing our new design;
FIG. 2 is a top view thereof;
FIG. 3 is a front view thereof, the back view being a mirror image; and,
FIG. 4 is a right side view thereof, the left side view being a mirror image.

1 Claim, 4 Drawing Sheets



(56)

References Cited

U.S. PATENT DOCUMENTS

9,345,344 B1 * 5/2016 Arabi-Beam A47F 5/108
D764,812 S * 8/2016 Lekic D6/315
D765,183 S * 8/2016 Lowery D21/336
D774,597 S 12/2016 Lowery
D793,129 S 8/2017 Bertault et al.
D793,130 S 8/2017 Ellison et al.
D811,135 S 2/2018 Malik et al.
D813,952 S * 3/2018 Siepmann D21/336
D818,291 S 5/2018 Aguilera et al.
D818,746 S 5/2018 Carder et al.
D830,746 S 10/2018 Johnson et al.
D849,460 S * 5/2019 Simone D6/677.3
D859,039 S * 9/2019 Pedersen D6/675.4
D868,485 S * 12/2019 Thelusma D6/315
2006/0175944 A1 * 8/2006 Peters B25H 3/025
312/249.11
2010/0330240 A1 * 12/2010 Jeffery A21C 15/00
426/383
2014/0339185 A1 11/2014 Ellison et al.

* cited by examiner

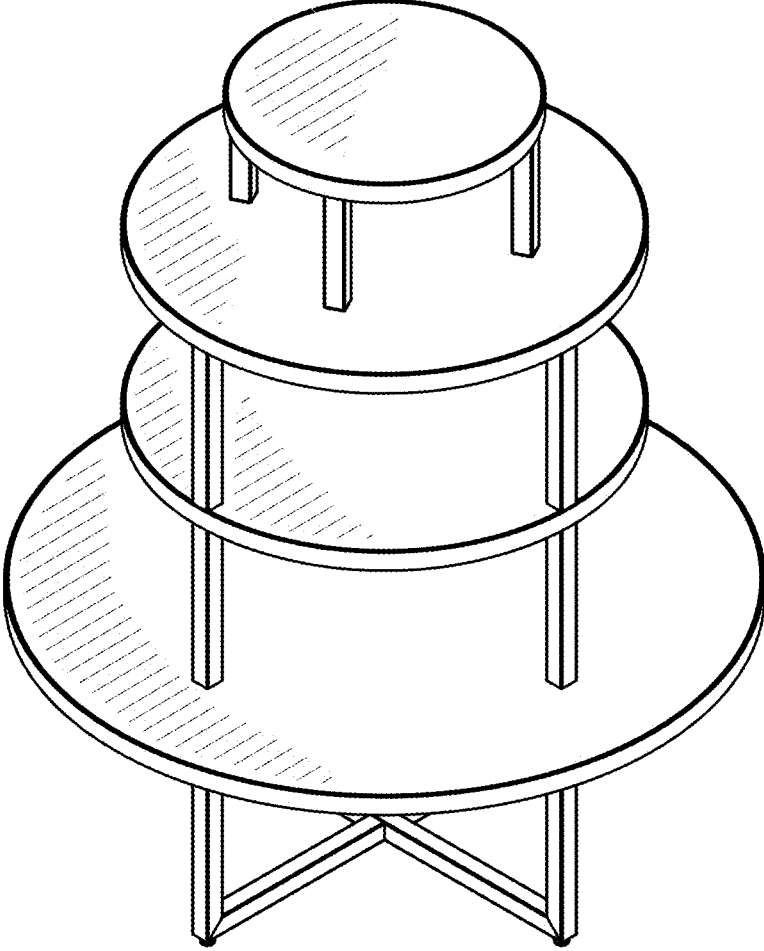


Fig. 1

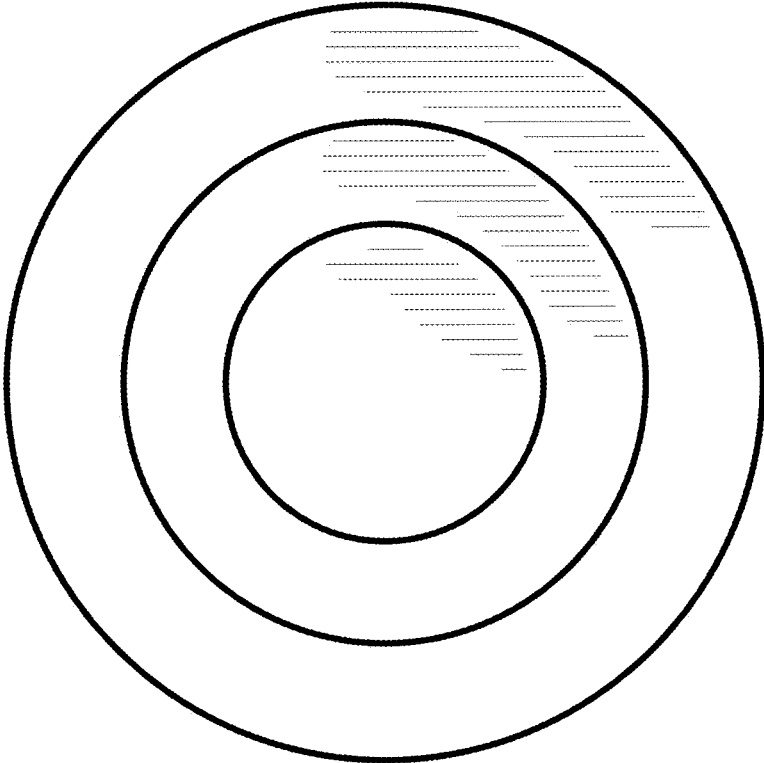


Fig. 2

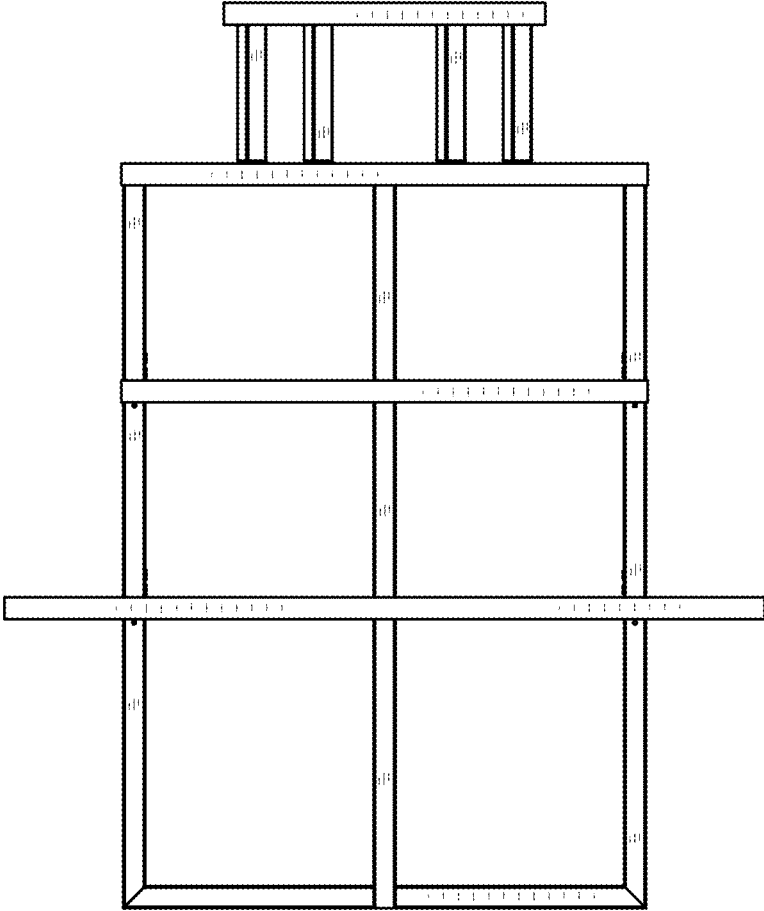


Fig. 3

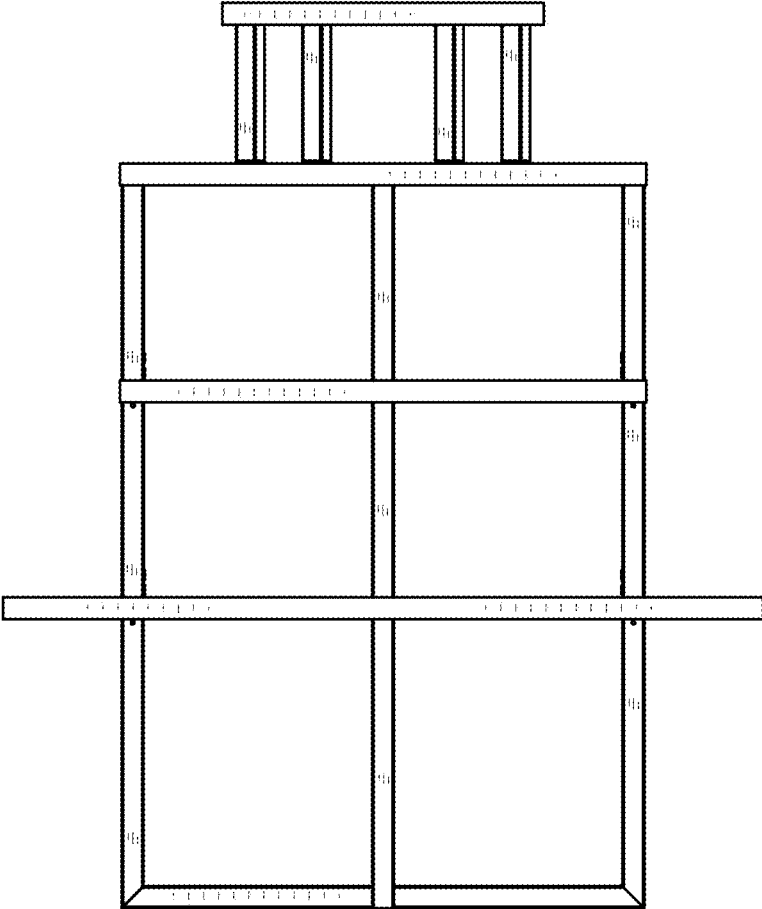


Fig. 4