



US00D668409S

(12) **United States Design Patent**  
**Witter**

(10) **Patent No.:** **US D668,409 S**

(45) **Date of Patent:** **\*\* Oct. 2, 2012**

(54) **AUXILIARY CYCLONIC DUST COLLECTOR**

(75) Inventor: **Robert M. Witter**, Syracuse, NY (US)

(73) Assignee: **Robert M. Witter**, Syracuse, NY (US)

(\*\*) Term: **14 Years**

(21) Appl. No.: **29/389,213**

(22) Filed: **Apr. 7, 2011**

**Related U.S. Application Data**

(63) Continuation of application No. 29/342,738, filed on Aug. 31, 2009, now Pat. No. Des. 638,179.

(51) **LOC (9) Cl.** ..... **15-05**

(52) **U.S. Cl.** ..... **D32/31**

(58) **Field of Classification Search** ..... D32/1,  
D32/21, 31, 25, 23-24; 55/356, 315, 337,  
55/346, 472, 343, 429, 428, DIG. 3, 459.1,  
55/345, 336, 342; 95/273, 271; D15/138,  
D15/141; 451/453, 456, 451; 15/347; D23/393,  
D23/394, 391, 386, 387; 285/7, 424, 179,  
285/134.1, 189; 454/306

See application file for complete search history.

(56) **References Cited**

**U.S. PATENT DOCUMENTS**

2,575,148 A	11/1951	Vokes	
3,485,671 A	12/1969	Stephens	
3,899,311 A	8/1975	Rapp	
4,581,050 A	4/1986	Krantz	
5,045,098 A	9/1991	Poor	
5,089,037 A *	2/1992	Marsolais	55/357
5,104,429 A	4/1992	Miller	
5,746,795 A	5/1998	Witter	
5,947,320 A	9/1999	Bordner et al.	
6,129,775 A	10/2000	Conrad et al.	
D440,401 S	4/2001	Pauser et al.	

6,446,661 B2	9/2002	Armenia et al.	
6,471,751 B1	10/2002	Semanderes et al.	
D482,827 S *	11/2003	Storer et al.	D32/21
D482,828 S *	11/2003	Storer et al.	D32/22
6,833,016 B2	12/2004	Witter	
D502,297 S	2/2005	Cheng	
D533,321 S	12/2006	Peng	
7,282,074 B1	10/2007	Witter	
D566,350 S	4/2008	Leasure	
D593,264 S	5/2009	Lin	
D596,358 S	7/2009	Witter et al.	
D596,816 S *	7/2009	Leasure et al.	D32/21
D604,464 S	11/2009	Witter	
D627,967 S	11/2010	Kuhls	
D632,443 S	2/2011	Witter	
D632,854 S	2/2011	Witter	
D638,179 S	5/2011	Witter	
2005/0076624 A1 *	4/2005	Cho	55/356

(Continued)

**FOREIGN PATENT DOCUMENTS**

DE 19706413 8/1998

(Continued)

*Primary Examiner* — Ruth McInroy

(74) *Attorney, Agent, or Firm* — Fitch, Even, Tabin & Flannery, LLP

(57) **CLAIM**

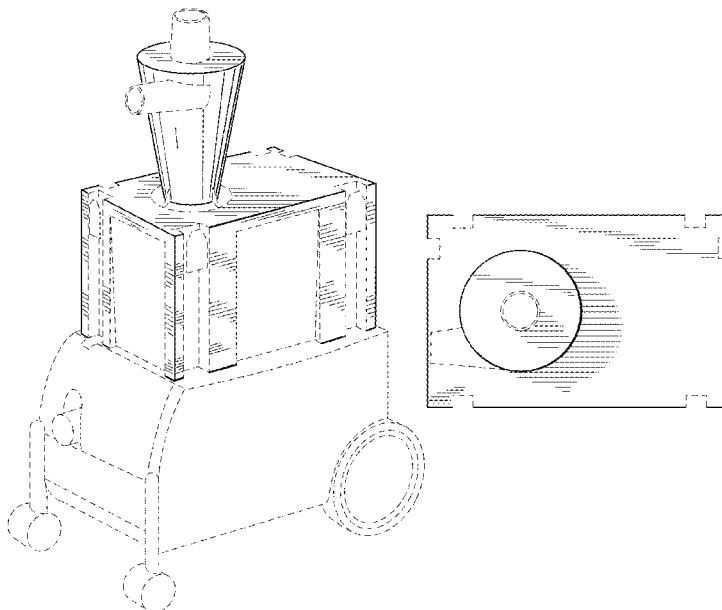
I claim the ornamental design for an auxiliary cyclonic dust collector, as shown and described.

**DESCRIPTION**

FIG. 1 is a perspective view of an auxiliary cyclonic dust collector in accordance with my new design; and, FIG. 2 is a top view of the auxiliary cyclonic dust collector of FIG. 1.

The details shown in broken lines form no part of the claimed design.

**1 Claim, 1 Drawing Sheet**



# US D668,409 S

Page 2

---

## U.S. PATENT DOCUMENTS

2006/0283158 A1 12/2006 Kennedy

## FOREIGN PATENT DOCUMENTS

DE 19756340 6/1999  
DE 20218996 3/2003  
DE 202004011895 9/2004

EP 0916302 5/1999  
EP 1018473 7/2000  
EP 2020188 2/2009  
WO 2007121745 11/2007  
WO 2011032568 3/2011

\* cited by examiner

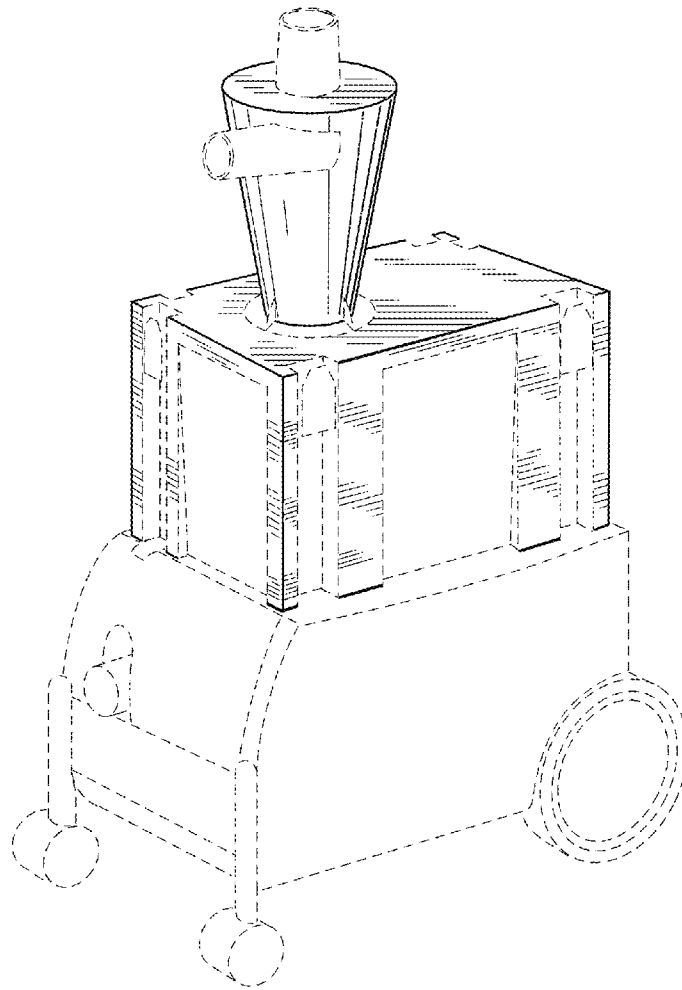


FIG. 1

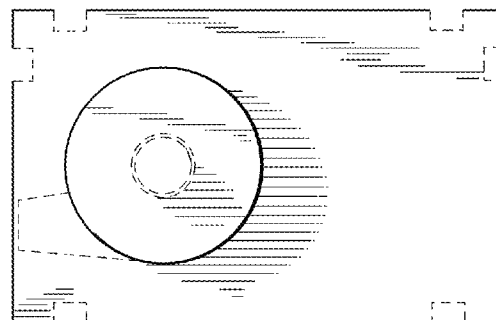


FIG. 2