



US00D473333S

(12) **United States Design Patent**  
**Willmorth**

(10) **Patent No.:** **US D473,333 S**

(45) **Date of Patent:** **\*\* Apr. 15, 2003**

(54) **DIRECT/INDIRECT LUMINAIRE**

D199,266 S \* 9/1964 Izzi ..... D26/67  
D453,388 S \* 2/2002 Leen ..... D26/67

(75) Inventor: **Kevin Willmorth**, Chino Hill, CA (US)

**OTHER PUBLICATIONS**

(73) Assignee: **Kim Lighting Inc.**, City of Industry, CA (US)

LUMEC brochure dated prior to Oct. 18, 1999, light fixture in center photo (CAND2).  
Architectural Record Apr. 2002, p. 138; Spectra fixture.\*

(\*\*) Term: **14 Years**

\* cited by examiner

(21) Appl. No.: **29/162,429**

*Primary Examiner*—Alan P. Douglas  
*Assistant Examiner*—Clare E. Heflin

(22) Filed: **Jun. 14, 2002**

(51) **LOC (7) Cl.** ..... **26-05**

(57) **CLAIM**

(52) **U.S. Cl.** ..... **D26/67**

The ornamental design for a direct/indirect luminaire, substantially as shown and described.

(58) **Field of Search** ..... D26/67-72, 85,  
D26/87, 92; 362/147, 153, 153.1, 183,  
276, 363, 367, 431

**DESCRIPTION**

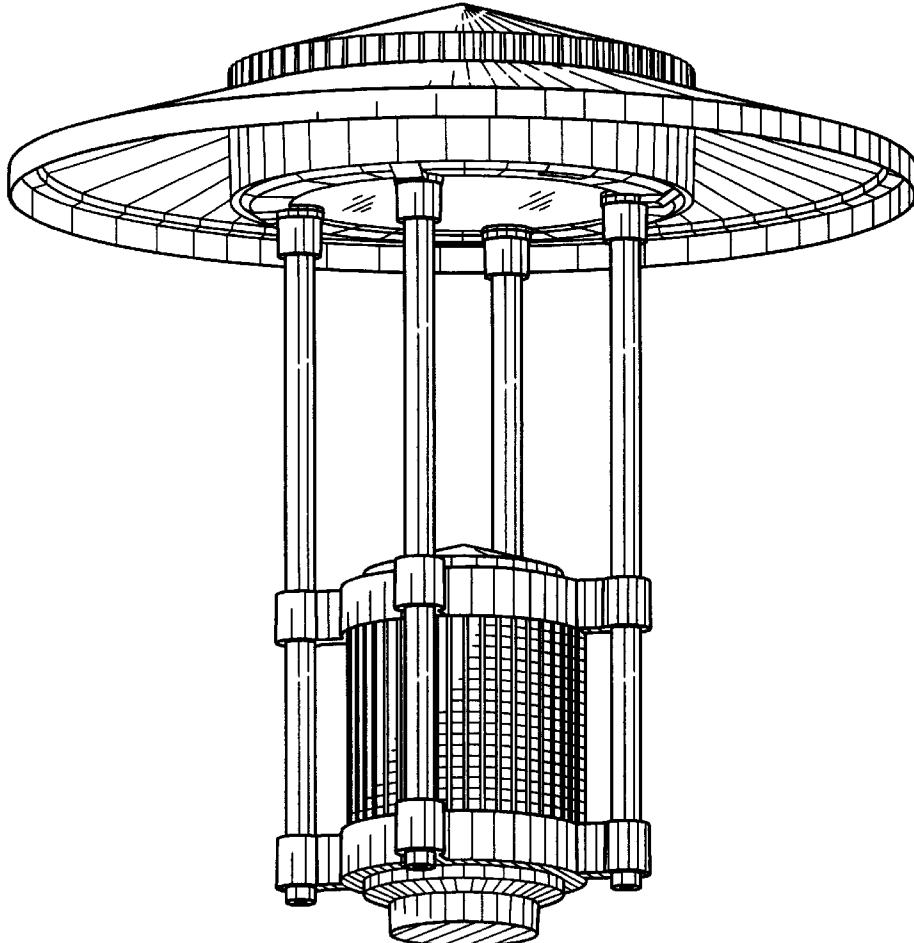
(56) **References Cited**

FIG. 1 is a top view of the luminaire,  
FIG. 2 is a first side elevational view,  
FIG. 3 is a bottom view,  
FIG. 4 is a second side elevational view, and  
FIG. 5 is a perspective view.

**U.S. PATENT DOCUMENTS**

839,869 A \* 1/1907 Muschenheim ..... 362/134  
D125,314 S \* 2/1941 Proulx ..... 362/219  
D191,128 S \* 8/1961 Curtin et al. .... D26/67  
D192,125 S \* 1/1962 Lasker ..... D26/67

**1 Claim, 2 Drawing Sheets**



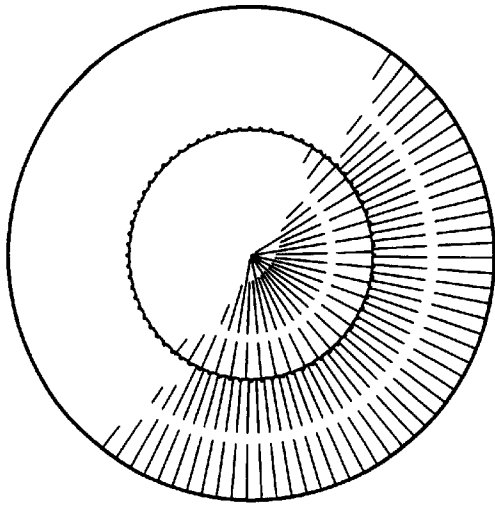


FIG. 1

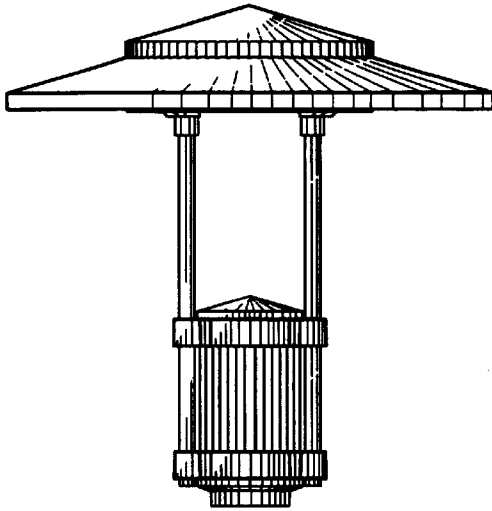


FIG. 2

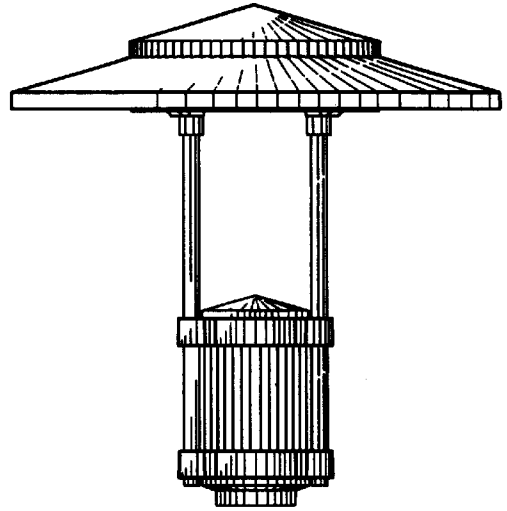


FIG. 4

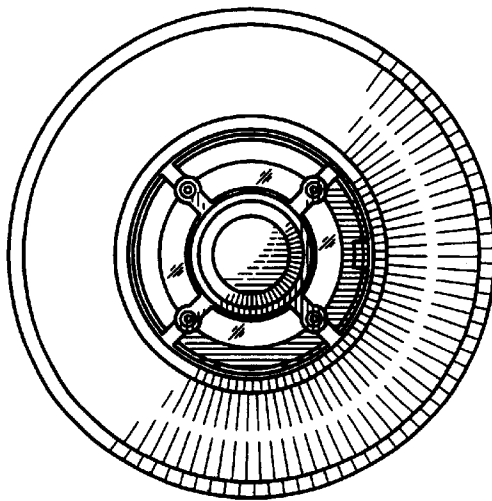


FIG. 3

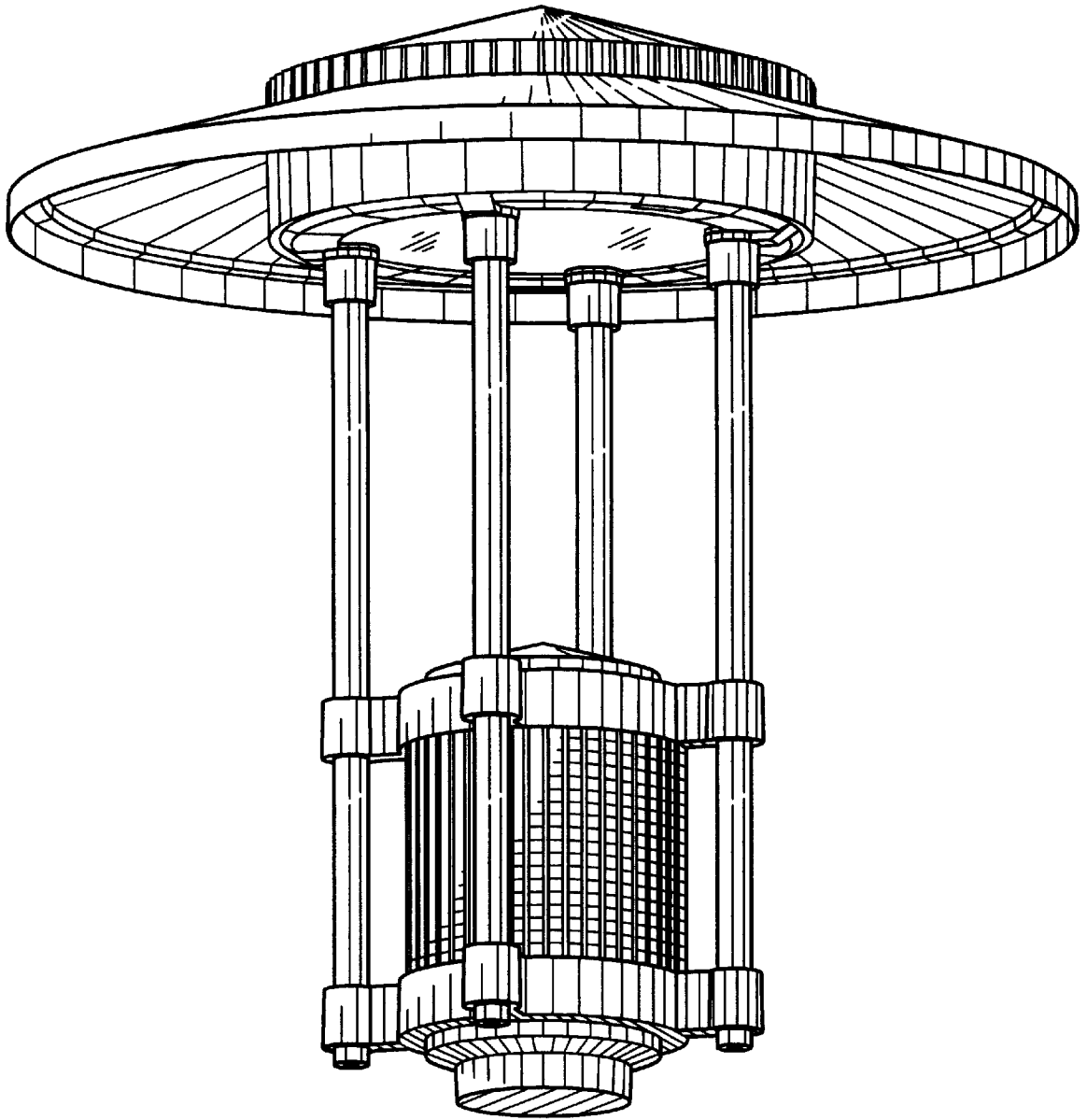


FIG. 5