



- (51) **International Patent Classification:**  
*H04W 68/02* (2009.01)    *H04W 60/00* (2009.01)
- (21) **International Application Number:**  
PCT/US2013/077255
- (22) **International Filing Date:**  
20 December 2013 (20.12.2013)
- (25) **Filing Language:** English
- (26) **Publication Language:** English
- (30) **Priority Data:**  
61/806,821    29 March 2013 (29.03.2013)    US  
61/808,597    4 April 2013 (04.04.2013)    US
- (71) **Applicant:** INTEL IP CORPORATION [US/US]; 2200 Mission College Boulevard, Santa Clara, California 95054 (US).
- (72) **Inventors:** CHOI, Hyung-Nam; Amrumer Knick 11, 22117 Hamburg (DE). BANGOLAE, Sangeetha, L.; 15990 SW Catbird LN, Beaverton, Oregon 97007 (US). MARTINEZ TARRADELL, Marta; 2111 N.E. 25th Avenue, Hillsboro, Oregon 97124 (US). JAIN, Puneet; 203 NE 61st Ter, Hillsboro, Oregon 97124 (US). PINEHEIRO, Ana, Lucia; 858 Yorkshire Drive, Breinigsville, Pennsylvania 18031 (US). GUPTA, Maruti; 3538 SW Dolph Ct, Portland, Oregon 97219 (US). KOC, Ali; 2418 NW Wessex Ter, Hillsboro, Oregon 97124 (US). VAN-NITHAMBY, Rath; 13470 NW Alvada Street, Portland, Oregon 97229 (US). JHA, Satish, Chandra; 2111 NE 25th Ave, Hillsboro, Oregon 97124 (US).

(74) **Agents:** MADDEN, Robert, B. et al.; Schwegman, Lundberg, & Woessner, P.A. P.O. Box 2938, Minneapolis, Minnesota 55402-0938 (US).

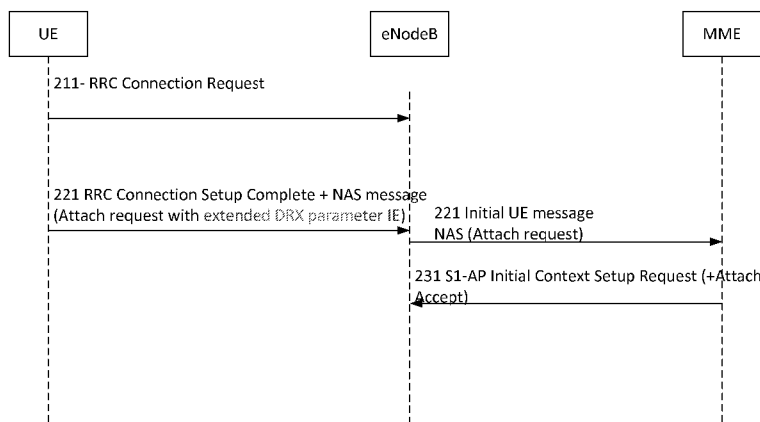
(81) **Designated States** (unless otherwise indicated, for every kind of national protection available): AE, AG, AL, AM, AO, AT, AU, AZ, BA, BB, BG, BH, BN, BR, BW, BY, BZ, CA, CH, CL, CN, CO, CR, CU, CZ, DE, DK, DM, DO, DZ, EC, EE, EG, ES, FI, GB, GD, GE, GH, GM, GT, HN, HR, HU, ID, IL, IN, IR, IS, JP, KE, KG, KN, KP, KR, KZ, LA, LC, LK, LR, LS, LT, LU, LY, MA, MD, ME, MG, MK, MN, MW, MX, MY, MZ, NA, NG, NI, NO, NZ, OM, PA, PE, PG, PH, PL, PT, QA, RO, RS, RU, RW, SA, SC, SD, SE, SG, SK, SL, SM, ST, SV, SY, TH, TJ, TM, TN, TR, TT, TZ, UA, UG, US, UZ, VC, VN, ZA, ZM, ZW.

(84) **Designated States** (unless otherwise indicated, for every kind of regional protection available): ARIPO (BW, GH, GM, KE, LR, LS, MW, MZ, NA, RW, SD, SL, SZ, TZ, UG, ZM, ZW), Eurasian (AM, AZ, BY, KG, KZ, RU, TJ, TM), European (AL, AT, BE, BG, CH, CY, CZ, DE, DK, EE, ES, FI, FR, GB, GR, HR, HU, IE, IS, IT, LT, LU, LV, MC, MK, MT, NL, NO, PL, PT, RO, RS, SE, SI, SK, SM, TR), OAPI (BF, BJ, CF, CG, CI, CM, GA, GN, GQ, GW, KM, ML, MR, NE, SN, TD, TG).

**Published:**

— with international search report (Art. 21(3))

(54) **Title:** EXTENDED PAGING DISCONTINUOUS RECEPTION (DRX) CYCLES IN WIRELESS COMMUNICATION NETWORKS



(57) **Abstract:** Embodiments of wireless communication devices and method for discontinuous reception (DRX) mode in RRC\_IDLE state of wireless communication are generally described herein. Some of these embodiments describe a wireless communication device having processing circuitry arranged to determine to use an extended paging discontinuous reception (DRX) value to increase a paging cycle length. The wireless communication device may transmit a non-access stratum (NAS) message to the network, indicating that the wireless communication device desires to use the extended paging DRX value. The wireless communication device may receive a message from the network that includes an information element (IE) indicating whether the network supports the extended paging DRX value. Other methods and apparatuses are also described.

WO 2014/158268 A1

**EXTENDED PAGING DISCONTINUOUS RECEPTION (DRX) CYCLES IN  
WIRELESS COMMUNICATION NETWORKS**

5

**PRIORITY APPLICATION**

**[0001]** This application claims priority to United States Provisional Application serial number 61/806,821, filed March 29, 2013, and United States Provisional Application serial number 61/808,597, filed April 4, 2013, which are  
10 incorporated herein by reference in their entirety.

**TECHNICAL FIELD**

**[0002]** Embodiments pertain to wireless communications. Some embodiments relate to discontinuous reception (DRX) in wireless networks  
15 including those networks that operate in accordance with a 3GPP Evolved Universal Terrestrial Radio Access Network (E-UTRAN) Long-Term-Evolution Advanced (LTE-A) network standard or a 3GPP Universal Terrestrial Radio Access Network (UTRAN) Universal Mobile Telecommunications System (UMTS) network standard.

20

**BACKGROUND**

**[0003]** Power savings is important for wireless communication devices. In some conventional wireless communication networks, devices may enter a discontinuous reception (DRX) mode to save power when not communicating  
25 with other devices or with other entities in the network. Some current methods for power saving in DRX mode may be inefficient, particularly in the case of devices that perform machine-type communication (MTC) or that include applications that transmit in an automated fashion.

30

**BRIEF DESCRIPTION OF THE DRAWINGS**

**[0004]** FIG. 1 shows a wireless communication network according to some embodiments described herein.

[0005] FIG. 2 shows an example communication among elements and devices in a network according to some embodiments described herein.

[0006] FIG. 3 shows an example communication for idle mode to connected mode transition for Tracking Area Update (TAU) procedure  
5 according to some embodiments described herein.

[0007] FIG. 4 illustrates an example signaling of paging scaling factors in accordance with at least some embodiments.

[0008] FIG. 5 shows an example block diagram of a user equipment (UE), according to some embodiments described herein.

10 [0009] FIG. 6 is a block diagram showing details of an eNodeB according to some embodiments described herein.

#### DETAILED DESCRIPTION

[0010] The following description and the drawings sufficiently illustrate  
15 specific embodiments to enable those skilled in the art to practice them. Other embodiments may incorporate structural, logical, electrical, process, and other changes. Portions and features of some embodiments may be included in, or substituted for, those of other embodiments. Embodiments set forth in the claims encompass all available equivalents of those claims.

20 [0011] FIG. 1 shows a wireless communication network 100, according to some embodiments described herein. Wireless communication network 100 may include a mobile management entity (MME) 101, a base station, such as an evolved Node-B (eNodeB) 102, and user equipment (UEs) 111 and 112. eNodeB 102 and UEs 111 and 112 may operate to wirelessly communicate with  
25 each other in wireless communication network 100. While some embodiments herein are described regarding an eNodeB 102 and MME 101 operating in accordance with 3rd Generation Partnership Project (3GPP) standards for Long Term Evolution (LTE), other embodiments can be applicable to 3GPP standards for Universal Mobile Telecommunications System (UMTS) such as a NodeB,  
30 radio network controller (RNC) or serving general packet radio service (GPRS) support node (SGSN). Various embodiments herein are described with respect

to 3GPP LTE standards, and if differences exist with 3GPP UMTS standards, these are pointed out where applicable.

**[0012]** An example of wireless communication network 100 includes an evolved universal terrestrial radio access network (EUTRAN) using 3GPP LTE standards operating in time division duplex (TDD) mode. Another example of wireless communication network 100 includes a EUTRAN using 3GPP-LTE standards operating in frequency division duplex (FDD) mode. Further examples of wireless communication network 100 include a UTRAN using 3GPP-UMTS standards operating in TDD, FDD, or dual-mode operation. Additional examples of wireless communication network 100 include Worldwide Interoperability for Microwave Access (WiMax) networks, 3rd generation (3G) networks, Wi-Fi networks, and other wireless data communication networks.

**[0013]** Examples of UEs 111 and 112 include cellular telephones (e.g., smartphones), tablets, e-readers (e.g., e-book readers), laptops, desktops, personal computers, servers, personal digital assistants (PDAs), web appliances, set-top boxes (STBs), network routers, network switches, network bridges, parking meters, sensors, and other devices. Some devices (e.g., parking meters) among these example devices may be considered as delay tolerant devices, which may include machine-type communication (MTC) devices. An MTC device may not need user interaction to initiate communication with the network (e.g., wireless communication network 100). Some other devices (e.g., smartphones) among these example devices may be not be considered as delay tolerant devices (e.g., non-MTC devices). A non-MTC device (e.g., user equipment (UE) such as a smartphone) may need user interaction to initiate communication with the network (e.g., wireless communication network 100).

**[0014]** MME 101 may be a main control node for wireless communication network 100. MME 101 may communicate with eNodeB 102 to track and send messages to UEs 111 and 112. MME 101 may communicate with other UEs besides UE 111 and 112 through one or more other eNodeBs similar to, or identical to, eNodeB 102. In 3GPP UMTS systems, network 100 can include a NodeB in communication with a radio network controller (RNC) and SGSN.

[0015] ENodeB 102 may operate as a serving eNodeB in a geographic area, such as cell 104 in wireless communication network 100. ENodeB 102 may be arranged (e.g., configured) to operate as an eNodeB in accordance with 3GPP-LTE standards or as a NodeB in accordance with 3GPP UMTS standards. FIG. 1 shows wireless communication network 100 including only one eNodeB (e.g., eNodeB 102) as an example. Wireless communication network 100, however, may include multiple eNodeBs (e.g., multiple eNodeBs similar to, or identical to, eNodeB 102) or NodeBs. Each of the multiple eNodeBs or NodeBs may serve a particular cell in wireless communication network 100 and may or may not neighbor to eNodeB 102.

[0016] UEs 111 and 112 may be served by eNodeB 102 in cell 104. UEs 111 and 112 may be arranged (e.g., configured) to operate in accordance with 3GPP-LTE standards or UMTS standards. FIG. 1 shows wireless communication network 100 including only two UEs (e.g., UEs 111 and 112) served by eNodeB 102 in cell 104 as an example. Wireless communication network 100, however, may include more than two UEs served by eNodeB 102. ENodeB 102 and each of UEs 111 and 112 may operate to communicate with each other using an orthogonal frequency division multiple access (OFDMA) technique.

[0017] Each of UEs 111 and 112 may operate to receive OFDMA communication signals over a multicarrier communication channel in accordance with an OFDMA technique. The OFDMA technique may be operated either in frequency domain duplexing (FDD) mode that uses different uplink and downlink spectrum or in time domain duplexing (TDD) mode that uses the same spectrum for uplink and downlink. The OFDMA communication signals may comprise orthogonal subcarriers.

[0018] Each of UEs 111 and 112 may operate in different operational states. In one or more of these operational states, UE 111 may enter a power saving mode to save power. For example, UE 111 may enter a power saving mode after a specific amount of time of no active communication (e.g., no exchanging of data) between UE 111 and eNodeB 102. Similarly, UE 112 may enter a power saving mode after a specific amount of time of no active

communication (e.g., no exchanging of data) between UE 112 and eNodeB 102. An example of a power saving mode in UEs 111 and 112 includes a discontinuous reception (DRX) mode, such as DRX mode in accordance with 3GPP-LTE or UMTS standards.

5 [0019] In 3GPP UMTS systems, UE 112 may be attached to different core network (CN) domains with different CN domain-specific DRX cycle lengths. For instance, in FDD mode the DRX cycle length for each CN domain equals  $2^k$  radio frames, where  $k$  is the CN-specific DRX cycle length coefficient. In a circuit-switched (CS) domain, the network signals  $k$  to UE 112 in a system  
10 information block (SIB), for example SIB1. Therefore,  $k$  is not negotiable between the UE and the network in a CS domain. In a packet-switched (PS) domain,  $k$  may be negotiable using a non-access stratum (NAS) procedure, or if  $k$  is not negotiated in this fashion then the  $k$  signaled in the SIB may be used. In these or other systems, UE 112 stores the CN domain-specific DRX cycle length  
15 for each CN domain the UE 112 is attached to and uses the shortest of those DRX cycle lengths.

[0020] In Idle mode, UE 111 may remain in a sleep stage for an off-duration, such that most circuitry (e.g., radio receiver circuitry) in UE 111 is  
20 switched off. UE 111 may wake up during a paging occasion (PO) to monitor control information on a particular channel. For example, during a PO, UE 111 may wake up and monitor frames of a control channel for downlink information (e.g., paging messages from MME 101) or other information initiated by wireless communication network 100. As an example, if UE 111 and eNodeB  
25 102 are arranged to communicate with each other in accordance with 3GPP-LTE standards, UE 111 may wake up during a PO and monitor transmission time instants of physical downlink control channel (PDCCH) in order to determine whether the UE 111 is being paged by wireless communication network 100. When not in a PO, UE 111 may refrain from monitoring the control channel (e.g., does not monitor the control channel) in order to reduce power  
30 consumption. As an example, if UE 111 and eNodeB 102 are arranged to communicate with each other in accordance with 3GPP-LTE standards, UE 111

may refrain from monitoring (e.g., does not monitor) transmission time instants of PDCCH during times outside of a PO.

**[0021]** Power saving in UE 111 may depend in part on the value (e.g., proportional to the value) of DRX cycle length. For example, a relatively greater value for DRX cycle length may improve power savings in UE 111. However, a greater value for DRX cycle length may increase delay for re-establishing a communication link between UE 111 and eNodeB (e.g., eNodeB 102) if control signals are present on the control channel while UE 111 is in DRX mode. Thus, depending on the type and/or device capability of UE 111, eNodeB 102 and UE 111 may communicate with each other to provide a balanced trade-off between reduced power consumption in UE 111 and quality of service (QoS). For example, if UE 111 is a delay tolerant device (e.g., an MTC device such as a parking meter), power savings may be preferable over delay (e.g., delay in accessing the network). Thus, in this example, UE 111 may use DRX cycle length having a value (e.g., an extended value) greater than that (e.g., a non-extended value) used by a non-MTC device in order to achieve a higher reduction in power consumption (e.g., more power savings). In another example, if UE 111 is a non-MTC device (e.g., a smartphone), quicker connection to the network may be more preferable than power savings. Therefore, in this example, UE 111 may use a DRX cycle length having a value (e.g., non-extended value) less than that (e.g., an extended value) used by an MTC device in order to maintain or achieve good user experience (e.g., quick connectivity and/or quality of service).

**[0022]** The value of DRX cycle length may be based on a DRX parameter value supported by (e.g., provided by) eNodeB 102. The DRX parameter value supported by eNodeB 102 may include a default DRX parameter value supported by eNodeB 102.

**[0023]** ENodeB 102 may be arranged (e.g., configured) to support a predetermined number (e.g., N) of different DRX parameter values  $T_{C1}$  through  $T_{CN}$  associated with the DRX cycle length. DRX parameter values  $T_{C1}$  through  $T_{CN}$  may include default DRX parameter values supported by eNodeB 102. ENodeB 102 may support a relatively larger number of DRX parameter values,

such that eNodeB 102 may accommodate a relatively large number of corresponding DRX cycle lengths. As an example, eNodeB 102 may support more than four (e.g.,  $N > 4$ ) DRX parameter values (e.g., default DRX parameter values) associated with more than four values of DRX cycle lengths (default  
5 DRX cycle lengths).

**[0024]** Each of DRX parameter values  $T_{C1}$  through  $T_{CN}$  may be used to determine the value of a corresponding DRX cycle length (that UE 111 may use during DRX mode). For example, if eNodeB 102 supports eight (e.g.,  $N = 8$ ) DRX parameter values  $T_{C1}$  through  $T_{C8}$  ( $T_{C1}$ ,  $T_{C2}$ ,  $T_{C3}$ ,  $T_{C4}$ ,  $T_{C5}$ ,  $T_{C6}$ ,  $T_{C7}$ , and  
10  $T_{C8}$ ), then eight corresponding values for DRX cycle length may be determined. The description herein uses eight DRX parameter values for DRX cycle length as an example. ENodeB 102 may support a different number of DRX parameter values for DRX cycle length. DRX parameter value  $T_{CN}$  may be the maximum value (e.g., maximum default value) among DRX parameter values  $T_{C1}$  through  
15  $T_{CN}$ . Thus, a maximum value (e.g., maximum default value) of a DRX cycle length (e.g., DRX cycle length) supported by eNodeB 102 may be determined based on a corresponding maximum DRX parameter value (e.g.,  $T_{CN}$ ) supported by eNodeB 102.

**[0025]** Each of DRX parameter values supported by eNodeB 102 may  
20 correspond to (e.g., be expressed by) the number of radio frames used in wireless communication network 100. For example, eNodeB 102 may support DRX parameter value  $T_{C1} = 32$  radio frames,  $T_{C2} = 64$  radio frames,  $T_{C3} = 128$  radio frames,  $T_{C4} = 256$  radio frames,  $T_{C5} = W$  radio frames, and  $T_{C6} = X$  radio frames,  $T_{C7} = Y$  radio frames,  $T_{C8} = Z$  radio frames, where  $T_{C1} < T_{C2} < T_{C3} < T_{C4} < T_{C5} <$   
25  $T_{C6} < T_{C7} < T_{C8}$ . Thus, if  $T_{C4}$  is not greater than 256, then each of values  $W$ ,  $X$ ,  $Y$ , and  $Z$  can be any number of radio frames greater than 256 where  $W < X < Y < Z$ . The duration of each of the radio frames may be in the milliseconds range (e.g., 10ms).

**[0026]** The value for DRX cycle length may be determined based on one  
30 of the DRX parameter values (e.g., one of  $T_{C1}$  through  $T_{CN}$ ) supported by eNodeB 102. The value of DRX cycle length may be determined in accordance with 3GPP-LTE or UMTS standards. For example, the value of DRX cycle

length may be determined based on a lesser (e.g., minimum) of a device specified DRX parameter value (e.g.,  $T_{DEV}$ ) and the eNodeB specified DRX parameter value (e.g., one of  $T_{CI}$  through  $T_{CN}$ ).

[0027] Various embodiments provide methods for extended paging DRX  
5 cycles in an RRC idle state to aid in further UE power savings for MTC or other applications. Current 3GPP UMTS specifications define paging DRX cycles up to 5120 ms, and current 3GPP-LTE specifications define paging DRX cycles of up to 2560 ms. MTC applications may be executing in a large number of low-mobility UEs 112 and may transmit small data relatively infrequently. If UEs  
10 111 and 112 running such applications must wake up for every paging occasion, this may drain batteries of UEs 111 and 112. Accordingly, various embodiments allow longer paging DRX cycles by providing extended values for paging DRX cycles through definition of extended DRX cycle values, scaling of existing values, or other mechanisms.

15

#### Extended DRX Cycle Values

[0028] In various embodiments, extended values for DRX cycle length are provided. In current systems defined in accordance with 3GPP technical standards (TS) 24.008 and 24.301, the values are signaled in a field of the DRX  
20 Parameter Information Element (IE), and various embodiments extend the values defined in this field. In various other embodiments, UE 112 can send a desired extended DRX cycle length to the network in, for example the NAS container as part of a newly defined IE, to the SGSN in the case of 3GPP UMTS systems or to the MME in the case of 3GPP-LTE systems. UE 112 can send the desired  
25 extended DRX cycle length during different procedures such as an Attach Request (in the case of both the 3GPP LTE and UMTS systems), a Routing Area Update (RAU) Request (in the case of 3GPP UMTS systems), or a Tracking Area Update (TAU) request (in the case of 3GPP-LTE systems).

[0029] After receiving this new extended DRX Cycle value, in 3GPP  
30 UMTS systems, the SGSN may indicate the value to the RNC in, for example, an Iu paging message or the SGSN may propose another value. In the case of 3GPP-LTE systems, the MME 101 may indicate the value to eNodeB 102 in an

S1 paging message if MME 101 accepts the value, or MME 101 can propose another value.

[0030] When eNodeB 102 (or RNC for 3GPP UMTS systems) receives the extended paging DRX cycle value from MME 101 (or SGSN for 3GPP  
5 UMTS systems), eNodeB 102 will apply the extended paging DRX cycle value. This is in contrast to current systems, operating in accordance with 3GPP TS 25.304 or TS 36.304 specifications, which select the shortest of the stored CN domain specific DRX cycle length and the default cycle value advertised from the eNodeB 102. Similarly, UE 112 will apply the UE-defined value for paging  
10 or wait until an acknowledgement is received before using the UE-defined value for paging. In some embodiments, MME 101 (or SGSN) may execute logic to inform eNodeB 102 (or RNC) what rule to apply for selecting the DRX cycle length.

15 Network signaling of extended paging DRX cycle support

[0031] ENodeB 102 (or NodeB for 3GPP UMTS systems) may signal support for extended paging DRX in SIB2 (SIB1 for 3GPP UMTS systems), or in a newly defined SIB. ENodeB 102(or NodeB) may broadcast this message, and if the message is available prior to an Attach Request, the message may  
20 provide UE 112 with information regarding the extended DRX support of eNodeB 102 (or NodeB). UE 112 may also use the message to update UE-specific DRX cycle lengths or CN domain specific DRX cycle lengths using RAU request (for 3GPP UMTS systems), TAU request (for 3GPP LTE systems), etc. Network 100 can also redirect UE 112 to a different cell that supports  
25 extended paging DRX cycles or that supports a value requested by UE 112 for extended paging DRX cycle. Network 100 may perform this redirection upon considering, for example, network conditions.

UE signaling extended paging DRX cycle value

[0032] In current systems according to 3GPP TS 24.008 and 24.301, an Attach Request message is defined that contains a DRX parameter (3 octets long) that indicates whether a UE 111 supports the DRX mode and the UE-specific (or CN domain specific) DRX cycle length(s). However, embodiments are not limited to including the DRX parameter in an Attach Request message, and the DRX parameter can be added in, for example, TAU or RAU. In various embodiments, additional values for DRX cycle length are added to the third octet of this DRX parameter. However, because the system frame number (SFN) is affected for cycle lengths beyond a certain value, the UE and network both need to signal support for extended paging DRX cycles.

[0033] In various other embodiments, a new information element identifier (IEI), is added to NAS messages such as Attach Request, RAU request (in 3GPP UMTS systems), or TAU request (in 3GPP LTE systems). Presence of this IEI, which may be named “Extended DRX parameter” though embodiments are not limited thereto, indicates that UE 111 is interested in and capable of extended paging DRX. Instead of or in addition to defining an Extended DRX parameter IEI, an existing DRX parameter value defined in 3GPP TS 24.008 and 24.301, can be changed.

[0034] In some embodiments, the IEI includes extended DRX cycle values. In at least those embodiments, it is assumed that SFN is extended as necessary to account for the DRX extension. An example extended DRX parameter IE according to this embodiment is shown below:

Extended DRX parameter IEI octet 1
Extended DRX value octet 2

Table 1. Proposed Extended DRX parameter IE and contents – case 1

[0035] However, in current systems, a wrap-around of SFN happens every 40.96 seconds (in 3GPP UMTS systems) or every 10.24 seconds (in 3GPP

LTE systems). Accordingly, in various embodiments, an SFN wrap-around factor is introduced, which specifies the number of cycles that should pass before the paging message may be read by UE 111. An example extended DRX parameter IE according to these embodiments is shown below:

5

Extended DRX parameter IEI octet 1
SFN Wrap-around factor and Extended DRX value octet 2

Table 2. Proposed Extended DRX parameter IE and contents – case 2

**[0036]** The SFN wrap-around factor may also be specified as an SFN multiplier, SFN cycle index, or SFN repetition factor. ENodeB 102 and UE 111 shall store the SFN wrap-around factor in addition to other information to calculate the paging frame (PF) and paging occasion (PO) at which UE 111 shall listen to the paging messages.

**[0037]** If MME 101 accepts the indicated extended DRX Cycle value from UE 111 or any of the new extended DRX Cycle values then UE 111 and eNodeB 102 determine the paging frame (PF) and paging occasion (PO) within PF as in Equation (1) below:

$$PF = SFN \bmod T = (T \text{ div } N) * (UE\_ID \bmod N) \tag{1}$$

**[0038]** In some embodiments, T is the DRX cycle (represented in frames), defined as the longer of the negotiated extended UE specific DRX cycle provided by the upper layers or received from MME 101 and the default paging cycle advertised in SIB2, and N and other parameters specified in 3GPP TS 36.304. In other embodiments, T may refer directly to the UE specific extended DRX cycle with the broadcast value being ignored. In still other embodiments, eNodeB 102 may broadcast cell-specific values in system information, for example defaultpagingcycle and defaultextendedpagingcycle, such that T will continue to refer to the shorter of UE specific DRX cycle and one of the two default paging cycle values.

**[0039]** If MME 101 rejects the indicated extended DRX Cycle value requested by UE 111, then UE 111 and eNodeB 102 calculate the PF and PO in accordance with current 3GPP specification.

**[0040]** In various other embodiments, UE 111 can use the device properties IE to signal a desired DRX cycle in NAS messages such as Attach Request, RAU request (in 3GPP UMTS systems), or TAU request (in 3GPP LTE systems) or Extended Service Request (in 3GPP LTE systems). UE 111 can signal an index, and this index can represent a multiplier to the DRX cycle that UE 111 is signaling. In accordance with 3GPP TS 24.008 and 24.301, the device properties IE currently has three spare bits that can be used in some embodiments to provide the multiplier to the DRX cycle. In various embodiments, a table could be added to map the index to the actual multiplier. If only a single extended DRX cycle is to be defined, then a single spare value could be used, which would correspond to a single multiplier value. Moreover, whether UE 111 is low priority device could be taken into consideration to further extend the multiplier value. An example table is shown below, where M1, M2, ... M6 are pre-defined numbers.

Signaled value	Low priority (0=false)	Multiplier
0	0	DRX parameter
0	1	DRX parameter
1	0	M1 * DRX parameter
1	1	M2 * DRX parameter
2	0	M3 * DRX parameter
2	1	M4 * DRX parameter
3	0	M5 * DRX parameter
3	1	M6 * DRX parameter

Table 3. Mapping for Device Properties IE

**[0041]** Low access priority (i.e., delay tolerant) UEs 111 can tolerate large latency. Extending the DRX cycle for such UEs 111 implies UEs 111 will wake up less often to receive downlink data. Because such UEs 111 do not have

strict latency requirements, these UEs 111 can have longer DRX cycles. Accordingly, the multiplier for low priority UEs 111 can be set relatively larger than would be the case for non-delay tolerant devices.

**[0042]** In some embodiments, a spare bit can be used simply for UE 111 to indicate whether or not it supports an extended DRX Cycle. As another option, the spare values can be used by the network in combination with the low priority indication. In at least these embodiments, it is assumed that some UEs 111 are more flexible in terms of delay tolerance, such that these UEs 111 can perform satisfactorily with high DRX cycles. When such a UE 111 signals to the network that it is “delay tolerant”, it could also signal to the network (using the spare bits in the device properties IE) what type of DRX cycle the UE supports. Given two UEs 111 that are delay tolerant, with one that can support larger DRX cycles than the other, the UEs 111 can signal whether UE 111 should receive a DRX cycle in a top or lower portion of a range. In this solution the network uses the knowledge that the UE is low priority combined with the signaled valued (from spare bits) to decide which DRX to use. For each signaled value the network will have a range of extended DRX cycles. If UE 111 is low priority, the network will assign the top values in that range:

20

Signaled Value	Low Priority	Range of Extended DRX cycles in the network	
0	0	R1-R2	Network should assign extended DRX cycle in the lower part of the range
0	1	R1-R2	Network should assign extended DRX cycle in the upper part of the range
1	0	R3-R4	Network should assign DRX cycle in the lower part of the range
1	1	R3-R4	Network should assign DRX cycle in the upper part of the range

Table 4. Combination with Low Priority Indication on Network Side

MME/SGSN signaling for Extended DRX cycles

- [0043]** Attach Accept message is sent by the network (e.g., SGSN or MME 101) to UE 111 to indicate that the corresponding Attach Request has been accepted. As part of Attach Request, if UE 111 had indicated an extended paging DRX, then the MME or SGSN may indicate whether that value was accepted or not based on network parameters. In accordance with current 3GPP LTE and UMTS specifications, DRX cycle values are restricted, and the MME or SGSN accepts values from UE 111 and forwards the value to eNodeB 102 or RNC, as appropriate, after updating the SGSN or MME database.
- [0044]** However, in various embodiments that provide an extended paging DRX value, if the network does not deem the value to be feasible, network indicates this to UE 111 and either suggests an alternative value or suggests use of the default broadcast by NodeB or eNodeB 102. In determining this, the network can consider factors such as whether all the NodeBs or eNodeBs in the Routing area, tracking area, etc. support extended paging DRX.
- [0045]** The contents of the extended paging DRX value can correspond to changes proposed above regarding UE messaging. This negotiation may be based on the Extended DRX parameter or additional values within the existing DRX parameter.
- [0046]** In 3GPP LTE systems, MME 101 can provide an indication to an eNodeB 102 that MME 101 has accepted UE 111 specific DRX cycle as requested by the UE 111 in the TAU request message or the Attach Request message. Some embodiments include adding an extended paging DRX cycle parameter IE to S1-paging messages defined in 3GPP TS 36.413.
- [0047]** Similarly, for 3GPP UMTS systems, an SGSN can provide an indication to an RNC for the accepted UE 111 specific DRX cycle as requested by the UE in an Attach request or RAU request message. Some embodiments include adding an extended paging DRX cycle parameter in an Iu-Paging message defined in 3GPP TS 25.413.

**[0048]** In 3GPP LTE systems, eNodeB 102 informs MME 101 that eNodeB 102 supports extended DRX cycles in S1 setup request messages and eNodeB configuration update messages, which are currently defined in 3GPP TS 36.413. Some embodiments can add an Extended Paging DRX support IE to one or both of these messages. An example portion of an S1 setup message that can be defined in 3GPP TS 36.413 section 9.1.8.4, and associated ASN.1 code, is shown in Table 5:

IE/Group Name	Presence (M=Mandatory, O=Optional)	IE type and reference	Semantics description
Extended paging DRX support	Optional	ENUMERATED (true) or BIT STRING (1)	This IE indicates to the MME that the eNodeB is capable of supporting extended DRX

Table 5: S1 Setup Request.

```

10 S1SetupRequestIEs S1AP-PROTOCOL-IES ::= {
    ....
    {ID id-ExtendedPagingDRXSupport CRITICALITY ignore TYPE
    ENUMERATED PRESENCE optional},
    ...
15 }

ENBConfigurationUpdate ::= SEQUENCE {
    protocolIEs ProtocolIEContainer {{ENBConfigurationUpdateIEs}},
}
20 ENBConfigurationUpdateIEs S1AP-PROTOCOL-IES ::= {
}
    {ID id-ExtendedPagingDRXSupport CRITICALITY ignore TYPE
    ENUMERATED PRESENCE optional},
    ...
25 }
    
```

Updates to signaling connection release indication procedures to support extended paging DRX

**[0049]** Some embodiments can configure UE 111 with extended paging DRX cycles using a Signaling Connection Release Indication procedure. In

accordance with current UMTS specifications, UE 111 in the connected mode RRC state CELL\_DCH may send the Signaling Connection Release Indication message to request the UTRAN to release one of its NAS signaling connections in a CN domain. UTRAN may respond by transmitting a Signaling Connection  
5 Release message to release the requested NAS signaling connection.

Subsequently, UTRAN may switch UE 111 to a more battery efficient RRC state, i.e. either to Idle mode (by sending an RRC connection release message) or to the connected mode states CELL\_FACH, CELL\_PCH or URA\_PCH (by sending e.g. Radio Bearer Reconfiguration message).

10 **[0050]** In accordance with these embodiments, the existing Signaling Connection Release Indication, Signaling Connection Release, Radio Bearer Reconfiguration and RRC Connection Release message are extended using the IE Extended Paging DRX discussed above with respect to modifications to the Device Properties IE. In embodiments in which the IE Extended Paging DRX is  
15 included in the Signaling Connection Release Indication message, UE 111 requests UTRAN to be configured with longer paging DRX cycles in either idle or connected mode states. Furthermore, as response the UTRAN may include the IE Extended Paging DRX in either of the messages Signaling Connection Release, Radio Bearer Reconfiguration and RRC Connection Release to indicate  
20 to UE 111 whether the extended paging DRX requested by UE 111 has been accepted or not. In other embodiments, the UTRAN can indicate a different extended paging DRX, and shall be used in either idle or connected mode states.

25 Example signaling diagrams for extended paging DRX cycle

**[0051]** FIG. 2 shows an example communication among elements and devices in a network 100, according to some embodiments described herein. Elements can include MME 101, eNodeB 102, and UE 111. The communication shown in FIG. 2 may include messages (e.g., in the form of radio frequency (RF)  
30 signals), such as messages 211, 221, and 231. However, as will be understood by one of ordinary skill in the art, other messages and signaling, for example paging signals or other signals, may occur.

[0052] UE 111 may send message 211 to eNodeB 102. Message 211 may include information to request establishing a communication link (e.g., radio connection) between UE 111 and eNodeB 102. For example, message 211 may include an RRC Connection Request message in accordance with 3GPP-LTE standards. Thus, message 211 may include information identifying device identity and an RRC establishment cause in accordance with 3GPP-LTE standards. In the example associated with FIG. 2, UE 111 may include a delay tolerant device. Thus, the establishment cause included in message 211 sent by UE 111 may include a delay tolerant establishment cause. ENodeB 102 may re-establish an appropriate communication link with UE 111 based on at least in part the delay tolerant establishment cause indicated by UE 111. For example, based on the delay tolerant establishment cause indicated by UE 111, MME 101 and eNodeB 102 may provide (e.g., send) an extended (e.g., default) DRX parameter value (e.g., one of  $T_{C5}$  through  $T_{CN}$ ) associated with an extended (e.g., default) DRX cycle length to UE 111 for use in DRX mode.

[0053] UE 111 may also send message 221 to eNodeB 102. Message 221 may be sent after message 211 is sent in order to complete a communication link establishment between UE 111 and eNodeB 102. Message 221 may include information indicating device capability of UE 111. Message 221 may include an Attach Request message in accordance with 3GPP-LTE standards. Message 221 can include an Extended Service request message in accordance with 3GPP-LTE standards. As described herein, message 221 may include an extended DRX parameter IE that includes UE 111's desired DRX paging cycle. ENodeB 102 may in turn transmit this message to MME 101. In message 231, MME 101 can accept the requested DRX paging cycle, or propose another value as described above.

[0054] FIG. 3 shows an example communication for idle mode to connected mode transition for Tracking Area Update (TAU) procedure according to some embodiments described herein in systems supporting 3GPP-LTE. Similar signaling may apply for 3GPP UMTS systems. The communication shown in FIG. 3 may include messages (e.g., in the form of radio frequency (RF) signals), such as messages 311, 321 and 331. However, as

will be understood by one of ordinary skill in the art, other messages and signaling, for example paging signals or other signals, may occur.

5 [0055] Initial signaling may be similar to that shown in FIG. 2 and therefore is not described with respect to FIG. 3. UE 111 may send message 311 to eNodeB 102. Message 311 may include information to request a tracking area update. For example, message 311 may include an RRC Connection Setup Complete message in accordance with 3GPP-LTE standards. Message 311 can include a requested extended DRX parameter IE as described herein. ENodeB 102 may pass message 311 on to MME 101.

10 [0056] In message 321, MME 101 can accept the requested DRX paging cycle, or propose another value as described above. The eNodeB 102 can transmit message 331, which can include for example RRC DL Info Transfer, to indicate to the UE 111 that the MME has accepted the extended DRX parameter.

15 Increasing paging DRX cycle through use of scaling factors

[0057] In various other embodiments, the number of available DRX parameters are maintained, and a scaling factor, PagingCycleSF is added with integer values of 0-12. In addition to the defaultPagingCycle currently broadcast by the eNodeB 102 in current systems, the eNodeB 102 can also communicate the PagingCycleSF in the System Information. The UE 111 may also select a value of PagingCycleSF to transmit to the eNodeB 102 when the UE 111 transmits a UE-specific DRX cycle. In various embodiments, the DRX cycle T of the UE 111 can therefore be calculated according to:

$$T = \text{defaultPagingCycle} * 2^{(\text{PagingCycleSF})} \quad (2)$$

25 [0058] In various other embodiments, rather than calculating the minimum of the paging cycle and the UE-specific DRX cycle value to determine a paging cycle of UE 111, the network and the UE 111 specify a device-specific scaling factor, PagingDeviceSF. The UE 111 can specify a desired value of this parameter, but the value that will be used will ultimately be decided by the network and communicated to the UE 111. PagingDeviceSF may have integer values of 0-12, similar to PagingCycleSF, and will be set on a UE-specific basis.

30

Accordingly, different devices can have different scaling factors and corresponding different paging cycles.

**[0059]** The UE 111 paging cycle can therefore be calculated according to :

5  $\text{Min}(\text{defaultPagingCycle}, \text{UE-specific DRX}) * 2^{\text{PagingDeviceSF}}$  (3)

Or

$\text{Min}(\text{defaultPagingCycle} * \text{PagingCycleSF}, \text{UE-specific DRX}) * 2^{\text{PagingDeviceSF}}$   
(4)

**[0060]** Equation (3) would be used for embodiments in which the UE-specific DRX parameter is changed according to Equation (2). Equation (4) would be used for embodiments in which the PagingCycleSF is defined.

**[0061]** In various embodiments, the paging cycle can be set by the eNodeB 102. In current 3GPP LTE systems, the eNodeB 102 communicates the defaultPagingCycle in system information for all UEs 111 in the network 100.

15 **[0062]** FIG. 4 illustrates an example signaling of paging scaling factors in accordance with at least some embodiments. FIG. 4 may include messages (e.g., in the form of radio frequency (RF) signals), such as messages 411, 421, 431 and 441. However, as will be understood by one of ordinary skill in the art, other messages and signaling, for example paging signals or other signals, may  
20 occur.

**[0063]** UE 111 may send message 411 to the eNodeB 102. Message 411 may include information to request establishing a communication link (e.g., radio connection) between UE 111 and the eNodeB 102. For example, message 411 may include an RRC Connection Request message in accordance with the  
25 3GPP-LTE standards. Message 411 may indicate that the UE 111 is an MTC device by setting an Establishment Cause to delayTolerantAccess.

**[0064]** In message 421, the UE signals the eNodeB 102, which signals MME 101, that the UE 111 is an MTC device by including a Device Properties IE in an Attach Request message. Message 421 can also include UE-specific  
30 DRX cycle information and PagingDeviceSF as described herein.

**[0065]** When MME 101 receives the Attach Request message 421, depending on whether the UE 111 is MTC or non-MTC and based on

considerations such as the type of applications and subscription that UE 111 is registered for, the MME looks up the maximum paging cycle limit for the UE 111 (which may be stored in the HSS or elsewhere) and sets the paging cycle limit accordingly. The MME communicates this information in message 431, which can include an Attach Accept message containing information paging cycle information and the parameter proposed in some embodiments, PagingDeviceSF. The eNodeB 102 communicates the value on to the UE 111 in message 441, which can include an RRC Connection Reconfiguration message.

#### 10 Example Device for Implementing Embodiments

**[0066]** FIG. 5 is a block diagram of the basic components of a UE 500 in accordance with some embodiments. The UE 500 may be suitable as a UE 111 (FIG. 1). The UE 500 may support methods for power saving in accordance with embodiments described above with respect to FIG. 1-4.

15 **[0067]** The UE 500 includes one or more antennas 510 arranged to communicate with a NodeB, an eNodeB 102 (FIG. 1), or other types of wireless local area network (WLAN) access points. The UE 500 further includes a processor 520, instructions 525, and a memory 530. The UE 500 may further include a communications interface 540. In one embodiment, the memory 530  
20 includes, but is not limited to, random access memory (RAM), dynamic RAM (DRAM), static RAM (SRAM), synchronous DRAM (SDRAM), double data rate (DDR) SDRAM (DDR-SDRAM), or any device capable of supporting high-speed buffering of data.

**[0068]** Example embodiments allow a UE 500 to transmit, using the communications interface 540, a non-access stratum (NAS) message to the network, indicating that the UE desires to use the extended paging DRX value and to receive a message from the network that includes an information element (IE) indicating whether the network supports the extended paging DRX value. The NAS message can include an Attach Request message, and the extended  
25 paging value can be indicated in a DRX Parameter IE included in the Attach Request message. In some embodiments, the NAS message may include an  
30

Attach Request message, a Tracking Area Update Request message, or a Routing Area Update Request message, in which the extended paging value is indicated in an Extended DRX parameter IE. The communications interface 540 can receive, in response to the Attach Request, an Attach Accept message that  
5 includes an Extended DRX parameter IE. In at least one embodiment, the communications interface 540 is, for example, a wireless physical layer which operates according to a multiple input/multiple output (MIMO) operation.

**[0069]** The processor 520 may include logic or code to enable the UE 500 to process signals received from the network through the antenna 510. The  
10 processor 520 may include code or other instructions 525 to allow the UE 500 to determine to use an extended paging discontinuous reception (DRX) value to increase a paging cycle length to a value greater than a first value, when the UE is operating in a network in accordance with a standard of a 3rd Generation Partnership Project (3GPP) family of standards for Long Term Evolution (LTE),  
15 and a second value, when the UE is operating in a network in accordance with a standard of the Universal Mobile Telecommunications System (UMTS) family of standards. The instructions 525 may further allow the UE 500 to configure a non-access stratum (NAS) message for transmission to the eNodeB 102 indicating that the UE desires to use the extended paging DRX value. The  
20 instructions 525 may further allow the UE 500 to receive a message from the eNodeB 102, in response to the NAS message, which includes an information element (IE) indicating whether the network supports the extended paging DRX value.

**[0070]** The instructions 525 can allow the UE 500 to receive, in response  
25 to the Attach Request, an Attach Accept message that includes an Extended DRX parameter IE. The instructions 525 can also allow the UE 500 to determine a scaling factor by which to multiply the paging cycle length for the UE, wherein the determination is based on one or more of a device type of the UE and a type of one or more applications executing on the UE. The  
30 instructions 525 can allow the UE 500 to transmit the scaling factor to the network in a Device Properties IE.

Example eNodeB for implementing embodiments

- [0071]** FIG. 6 is a block diagram showing details of an eNodeB 600 according to some embodiments. The eNodeB 600 may be suitable as eNodeB 102 (FIG. 1). While some embodiments are described with respect to an eNodeB that operates in accordance with 3GPP LTE, other embodiments can include similar circuitry for implementing functions of a NodeB in accordance with a 3GPP UMTS standard. The eNodeB 600 includes a processor 610, a memory 620, a transceiver 630, and instructions 635. The eNodeB 600 may include other elements (not shown).
- 5
- [0072]** The processor 610 comprises one or more central processing units (CPUs), graphics processing units (GPUs), or both. The processor 610 provides processing and control functionalities for the eNodeB 600. Memory 620 comprises one or more transient and static memory units configured to store instructions 635 and data for the eNodeB 600.
- 10
- [0073]** The transceiver 630 comprises one or more transceivers including a multiple-input and multiple-output (MIMO) antenna to support MIMO communications. The transceiver 630 receives UL transmissions and transmits DL transmissions, among other things, from and to UE 111 (FIG. 1).
- [0074]** The transceiver 630 can transmit a radio resource control (RRC) signal that includes an information element (IE) indicating whether the eNodeB supports user equipment (UE) usage of an extended paging value. The transceiver 630 can receive from the MME 101 (FIG. 1) or other network entity such as SGSN, the extended paging value, responsive to a request from the UE 111 to use the extended paging value.
- 20
- [0075]** The transceiver 630 can receive a message that indicates a degree to which the UE 111 is delay tolerant. The transceiver 630 can receive this indication in an Attach Request message from a UE 111. However, embodiments are not limited thereto, and the transceiver 630 can also receive this indication in a TAU request, an extended service request, or a RAU request, for example. The Attach Request message may include a desired scaling factor of the UE 111, wherein the desired scaling factor is a number by which the UE
- 25
- 30

111 will multiply a paging cycle value to generate a device-specific paging cycle for the UE 111. The processor 610 can determine whether to permit the UE 111 to use the desired scaling factor, and to configure an RRC Connection Reconfiguration message that includes an indication of whether the UE 111 is permitted to use the desired scaling factor.

**[0076]** The processor 610 can redirect the UE 111 to a neighboring NodeB or eNodeB in network 100 (FIG. 1) that supports usage of the extended paging value upon determining to not support the extended paging value. The processor 610 may first determine whether the UE 111 is delay tolerant before performing this redirecting. The processor 610 can select an extended DRX value from a list of extended DRX values, based on the degree to which the UE 111 is delay tolerant.

**[0077]** The instructions 635 comprise one or more sets of instructions or software executed on a computing device (or machine) to cause such computing device (or machine) to perform any of the methodologies discussed herein. The instructions 635 (also referred to as computer- or machine-executable instructions) may reside, completely or at least partially, within the processor 610 and/or the memory 620 during execution thereof by the eNodeB 600. The processor 610 and memory 620 also comprise machine-readable media.

**[0078]** The techniques described herein may improve power consumption for some UEs (e.g., delay tolerant devices such as MTC devices) and also maintain and/or improve good user experience for some other UEs (e.g., non-MTC devices). For example, the techniques described herein may allow some UEs (e.g., MTC devices) to use a value (e.g., extended value) for DRX cycle length (e.g., based on one of  $T_{CS}$  through  $T_{CN}$ ) in DRX mode in order to achieve a higher reduction in power consumption. The techniques described herein may also allow some other UEs (e.g., non-MTC devices) to use another value (e.g., non-extended value) for DRX cycle length (e.g., based on one of  $T_{C1}$  through  $T_{C4}$ ) in DRX mode in order to maintain and/or improve good user experience.

**[0079]** As those of ordinary skill in the art will readily appreciate, various aspects described throughout this disclosure may be extended to other

telecommunication systems, network architectures and communication standards. By way of non-limiting example, various aspects may be extended to other Universal Mobile Telecommunications System (UMTS) systems. Various aspects can be used in systems employing Long Term Evolution (LTE) (in FDD, 5 TDD, or both modes), and LTE-Advanced (LTE-A) (in FDD, TDD, or both modes).

**[0080]** Examples, as described herein, may include, or may operate on, logic or a number of components, components, or mechanisms. Components are tangible entities capable of performing specified operations and may be 10 configured or arranged in a certain manner. In an example, circuits may be arranged (e.g. internally or with respect to external entities such as other circuits) in a specified manner as a component. In an example, the whole or part of one or more computer systems (e.g. a standalone, client or server computer system) or one or more hardware processors may be configured by firmware or software 15 (e.g. instructions, an application portion, or an application) as a component that operates to perform specified operations. In an example, the software may reside (1) on a non-transitory machine-readable medium or (2) in a transmission signal. In an example, the software, when executed by the underlying hardware of the component, causes the hardware to perform the specified operations.

20 **[0081]** Accordingly, the terms “component” and “component” are understood to encompass a tangible entity, be that an entity that is physically constructed, specifically configured (e.g. hardwired), or temporarily (e.g. transitorily) configured (e.g. programmed) to operate in a specified manner or to perform part or all of any operation described herein. Considering examples in 25 which components are temporarily configured, one instantiation of a component may not exist simultaneously with another instantiation of the same or different component. For example, where the components comprise a general-purpose hardware processor configured using software, the general-purpose hardware processor may be configured as respective different components at different 30 times. Accordingly, software may configure a hardware processor, for example, to constitute a particular component at one instance of time and to constitute a different component at a different instance of time.

**[0082]** Additional examples of the presently described method, system, and device embodiments include the following, non-limiting configurations. Each of the following non-limiting examples may stand on its own, or may be combined in any permutation or combination with any one or more of the other examples provided below or throughout the present disclosure. The preceding description and the drawings sufficiently illustrate specific embodiments to enable those of ordinary skill in the art to practice them. Other embodiments may incorporate structural, logical, electrical, process, and other changes. Portions and features of some embodiments may be included in, or substituted for, those of other embodiments.

**[0083]** The techniques described herein may improve power consumption for some UEs (e.g., delay tolerant devices such as MTC devices) and also maintain and/or improve good user experience for some other UEs (e.g., non-MTC devices). For example, the techniques described herein may allow some UEs (e.g., MTC devices) to use a value (e.g., extended value) for DRX cycle length in DRX mode in order to achieve reductions in power consumption. The techniques described herein may also allow some other UEs (e.g., non-MTC devices) to use another value (e.g., non-extended value) for DRX cycle length in DRX mode in order to maintain and/or improve good user experience.

20

#### Additional Notes and Examples

**[0084]** Example 1 includes subject matter (such as a device, apparatus, or machine) including a wireless communication device (UE) comprising processing circuitry arranged to determine to use an extended paging discontinuous reception (DRX) value to increase a paging cycle length to a value greater than a first value, when the UE is operating in a network in accordance with a standard of a 3rd Generation Partnership Project (3GPP) family of standards for Long Term Evolution (LTE), and a second value, when the UE is operating in a network in accordance with a standard of the Universal Mobile Telecommunications System (UMTS) family of standards. The subject matter may further include physical layer circuitry arranged to transmit a non-access stratum (NAS) message to the network, indicating that the UE desires to use the

30

extended paging DRX value and receive a message from the network that includes an information element (IE) indicating whether the network supports the extended paging DRX value.

5 [0085] In Example 2, the subject matter of Example 1 may optionally include an aspect wherein the NAS message is one of an Attach Request message, a Tracking Area Update Request message, and a Routing Area Update Request message, and the extended paging value is indicated in a DRX Parameter IE.

10 [0086] In Example 3, the subject matter of Example 1 may optionally include an aspect wherein the NAS message is one of an Attach Request message, a Tracking Area Update Request message, and a Routing Area Update Request message, and the extended paging value is indicated in an Extended DRX parameter IE.

15 [0087] In Example 4, the subject matter of Example 1 may optionally include, wherein the physical layer circuitry is further arranged to receive an Extended DRX parameter IE in one of an Attach Accept message, a Tracking Area Update Accept message and a Routing Area Update Accept message.

20 [0088] In Example 5, the subject matter of any one or more of Example 1 to Example 4 may optionally include, wherein the processing circuitry is further arranged to determine a scaling factor by which to multiply the paging cycle length for the UE, wherein the determination is based on one or more of a device type of the UE and a type of one or more applications executing on the UE and the physical layer circuitry is further arranged to transmit the scaling factor to the network in a Device Properties IE.

25 [0089] In example 6, the subject matter of any one or more of Example 1 to 5 may optionally include wherein the scaling factor is received in a system information message.

30 [0090] In Example 7, the subject matter of Example 1 may optionally include, wherein the processing circuitry is further arranged to determine a scaling factor by which to multiply the paging cycle length for the UE, wherein the determination is based on one or more of a device type of the UE and a type of one or more applications executing on the UE and the physical layer circuitry

is further arranged to transmit the scaling factor to the network in an Attach Request message and to receive a confirmation message from the network indicating that the scaling factor shall be used by the UE.

**[0091]** Example 8 includes or may optionally be combined with the subject matter of any one of Examples 1-7 to include subject matter (such as a device, apparatus, or machine) including a transceiver arranged to transmit a radio resource control (RRC) signal that includes an information element (IE) indicating whether the subject matter supports user equipment (UE) usage of an extended paging value and receive from a network entity, the extended paging value, responsive to a request from the UE to use the extended paging value.

**[0092]** In Example 9, the subject matter of Example 8 may optionally include, one or more processors arranged to redirect the UE to a neighboring eNodeB that supports usage of the extended paging value upon determining to not support the extended paging value, if the UE is delay tolerant.

**[0093]** In Example 10, the subject matter of Example 8 may optionally include, wherein the transceiver is further arranged to receive a message that indicates a degree to which the UE is delay tolerant and the processor is further arranged to select an extended DRX value from a list of extended DRX values, based on the degree to which the UE is delay tolerant.

**[0094]** In Example 11, the subject matter of Example 8 may optionally include, wherein the transceiver is further arranged to receive a non-access stratum (NAS) message from a UE, the message including a desired scaling factor of the UE, wherein the desired scaling factor is a number by which the UE will multiply a paging cycle value to generate a device-specific paging cycle for the UE and the one or more processors are further arranged to determine whether to permit the UE to use the desired scaling factor, and to configure an RRC Connection Reconfiguration message that includes an indication of whether the UE is permitted to use the desired scaling factor.

**[0095]** In Example 12, the subject matter of Example 8 may optionally include, wherein the apparatus is an evolved NodeB (eNodeB) operating in accordance with a standard of a 3rd Generation Partnership Project (3GPP) family of standards for Long Term Evolution (LTE).

[0096] In Example 13, the subject matter of Example 8 may optionally include, wherein the apparatus is a radio network controller (RNC) operating in accordance with a standard of a 3rd Generation Partnership Project (3GPP) family of standards for Universal Mobile Telecommunications System (UMTS).

5 [0097] Example 14 includes or may optionally be combined with the subject matter of any one of Examples 1-13 to include subject matter (such as a method, means for performing acts) comprising determining to use an extended paging discontinuous reception (DRX) value to increase a paging cycle length to a value greater than 256 milliseconds, when the UE is operating in a network in  
10 accordance with a standard of a 3rd Generation Partnership Project (3GPP) family of standards for Long Term Evolution (LTE), and 512 milliseconds, when the UE is operating in a network in accordance with a standard of the Universal Mobile Telecommunications System (UMTS) family of standards; transmitting a non-access stratum (NAS) message to the network indicating that the UE desires  
15 to use the extended paging DRX value; and receiving a message from the network that includes an information element (IE) indicating whether the network supports the extended paging DRX value.

[0098] In Example 15, the subject matter of Example 14 may optionally include an aspect wherein the NAS message is one of an Attach Request  
20 message, a Tracking Area Update Request message, and a Routing Area Update Request message, and the extended paging value is indicated in a DRX Parameter IE.

[0099] In Example 16, the subject matter of Example 14 may optionally further comprise receiving an Extended DRX parameter IE in an Attach Accept  
25 message, a Tracking Area Update Accept message and a Routing Area Update Accept message.

[00100] In Example 17, the subject matter of Example 12 may optionally include determining a scaling factor by which to multiply the paging cycle  
length for the UE, wherein the determination is based on one or more of a device  
30 type of the UE and a type of one or more applications executing on the UE; and transmitting the scaling factor to the network in a Device Properties IE.

[00101] In Example 18, the subject matter of Example 14 may optionally include determining a scaling factor by which to multiply the paging cycle length for the UE, wherein the determination is based on one or more of a device type of the UE and a type of one or more applications executing on the UE;  
5 transmitting the scaling factor to the network in an Attach Request message; and receiving a confirmation message from the network indicating that the scaling factor shall be used by the UE.

[00102] Example 19 includes or may optionally be combined with the subject matter of any one of Examples 1-18 to include subject matter (such as a  
10 method, means for performing acts) comprising transmitting a radio resource control (RRC) signal that includes an information element (IE) indicating whether the apparatus supports user equipment (UE) usage of an extended paging value; and receiving from network entity, the extended paging value responsive to a UE request to use the extended paging value.

15 [00103] In Example 20, the subject matter of Example 19 may optionally include redirecting the UE to a neighboring apparatus that supports usage of the extended paging value upon determining to not support the extended paging value, if the UE is delay tolerant.

[00104] In Example 21, the subject matter of Example 19 may optionally  
20 include receiving a message that indicates a degree to which the UE is delay tolerant; and selecting an extended DRX value from a list of extended DRX values, based on the degree to which the UE is delay tolerant.

[00105] The Abstract is provided to comply with 37 C.F.R. Section  
25 1.72(b) requiring an abstract that will allow the reader to ascertain the nature and gist of the technical disclosure. It is submitted with the understanding that it will not be used to limit or interpret the scope or meaning of the claims. The following claims are hereby incorporated into the detailed description, with each claim standing on its own as a separate embodiment.

## CLAIMS

What is claimed is:

- 5 1. A user equipment (UE) comprising:  
processing circuitry arranged to determine to use an extended paging  
discontinuous reception (DRX) value to increase a paging cycle length to a value  
greater than a first value, when the UE is operating in a network in accordance  
with a standard of a 3rd Generation Partnership Project (3GPP) family of  
10 standards for Long Term Evolution (LTE), and a second value, when the UE is  
operating in a network in accordance with a standard of the Universal Mobile  
Telecommunications System (UMTS) family of standards; and  
physical layer circuitry arranged to  
transmit a non-access stratum (NAS) message to the network,  
15 indicating that the UE desires to use the extended paging DRX value; and  
receive a message from the network that includes an information  
element (IE) indicating whether the network supports the extended  
paging DRX value.
- 20 2. The UE of claim 1, wherein the NAS message is one of an Attach Request  
message, a Tracking Area Update Request message, and a Routing Area Update  
Request message, and the extended paging value is indicated in a DRX  
Parameter IE.
- 25 3. The UE of claim 1, wherein the NAS message is one of an Attach Request  
message, a Tracking Area Update Request message, and a Routing Area Update  
Request message, and the extended paging value is indicated in an Extended  
DRX parameter IE.
- 30 4. The UE of claim 3, wherein the physical layer circuitry is further arranged to  
receive an Extended DRX parameter IE in one of an Attach Accept message, a

Tracking Area Update Accept message and a Routing Area Update Accept message.

5. The UE of claim 1, wherein

5           the processing circuitry is further arranged to determine a scaling factor by which to multiply the paging cycle length for the UE, wherein the determination is based on one or more of a device type of the UE and a type of one or more applications executing on the UE; and

10           the physical layer circuitry is further arranged to transmit the scaling factor to the network in a Device Properties IE.

6. The UE of claim 5, wherein the scaling factor is received in a system information message.

15   7. The UE of claim 1, wherein

          the processing circuitry is further arranged to determine a scaling factor by which to multiply the paging cycle length for the UE, wherein the determination is based on one or more of a device type of the UE and a type of one or more applications executing on the UE; and

20           the physical layer circuitry is further arranged to transmit the scaling factor to the network in an Attach Request message and to receive a confirmation message from the network indicating that the scaling factor shall be used by the UE.

25   8. An apparatus comprising:

          a transceiver arranged to

          transmit a radio resource control (RRC) signal that includes an information element (IE) indicating whether the apparatus supports user equipment (UE) usage of an extended paging value; and

30           receive from a network entity, the extended paging value, responsive to a request from the UE to use the extended paging value.

9. The apparatus of claim 8, further comprising one or more processors arranged to:

5           redirect the UE to a neighboring apparatus that supports usage of the extended paging value upon determining to not support the extended paging value, if the UE is delay tolerant.

10. The apparatus of claim 8, wherein

          the transceiver is further arranged to receive a message that indicates a degree to which the UE is delay tolerant; and  
10           the processor is further arranged to select an extended DRX value from a list of extended DRX values, based on the degree to which the UE is delay tolerant.

11. The apparatus of claim 8, wherein

15           the transceiver is further arranged to receive a non-access stratum (NAS) message from a UE, the message including a desired scaling factor of the UE, wherein the desired scaling factor is a number by which the UE will multiply a paging cycle value to generate a device-specific paging cycle for the UE; and  
          the one or more processors are further arranged to determine whether to  
20           permit the UE to use the desired scaling factor, and to configure an RRC Connection Reconfiguration message that includes an indication of whether the UE is permitted to use the desired scaling factor.

12. The apparatus of claim 8, wherein the apparatus is an evolved NodeB

25           (eNodeB) operating in accordance with a standard of a 3rd Generation Partnership Project (3GPP) family of standards for Long Term Evolution (LTE).

13. The apparatus of claim 8, wherein the apparatus is a radio network controller (RNC) operating in accordance with a standard of a 3rd Generation Partnership

30           Project (3GPP) family of standards for Universal Mobile Telecommunications System (UMTS).

14. A method, performed by a user equipment (UE) for power saving, the method comprising:

determining to use an extended paging discontinuous reception (DRX) value to increase a paging cycle length to a value greater than 256 milliseconds, when the UE is operating in a network in accordance with a standard of a 3rd Generation Partnership Project (3GPP) family of standards for Long Term Evolution (LTE), and 512 milliseconds, when the UE is operating in a network in accordance with a standard of the Universal Mobile Telecommunications System (UMTS) family of standards;

10 transmitting a non-access stratum (NAS) message to the network indicating that the UE desires to use the extended paging DRX value; and receiving a message from the network that includes an information element (IE) indicating whether the network supports the extended paging DRX value.

15

15. The method of claim 14, wherein the NAS message is one of an Attach Request message, a Tracking Area Update Request message, and a Routing Area Update Request message, and the extended paging value is indicated in a DRX Parameter IE.

20

16. The method of claim 14, further comprising receiving an Extended DRX parameter IE in an Attach Accept message, a Tracking Area Update Accept message and a Routing Area Update Accept message.

25 17. The method of claim 14, further comprising:

determining a scaling factor by which to multiply the paging cycle length for the UE, wherein the determination is based on one or more of a device type of the UE and a type of one or more applications executing on the UE; and transmitting the scaling factor to the network in a Device Properties IE.

30

18. The method of claim 14, further comprising:

determining a scaling factor by which to multiply the paging cycle length for the UE, wherein the determination is based on one or more of a device type of the UE and a type of one or more applications executing on the UE; and transmitting the scaling factor to the network in an Attach Request message; and  
5 receiving a confirmation message from the network indicating that the scaling factor shall be used by the UE.

19. A method, performed by an apparatus, comprising:  
10 transmitting a radio resource control (RRC) signal that includes an information element (IE) indicating whether the apparatus supports user equipment (UE) usage of an extended paging value; and receiving from a network entity, the extended paging value responsive to a UE request to use the extended paging value.

15 20. The method of claim 19, further comprising:  
redirecting the UE to a neighboring apparatus that supports usage of the extended paging value upon determining to not support the extended paging value, if the UE is delay tolerant.

20 21. The method of claim 19, further comprising:  
receiving a message that indicates a degree to which the UE is delay tolerant; and  
selecting an extended DRX value from a list of extended DRX values,  
25 based on the degree to which the UE is delay tolerant.

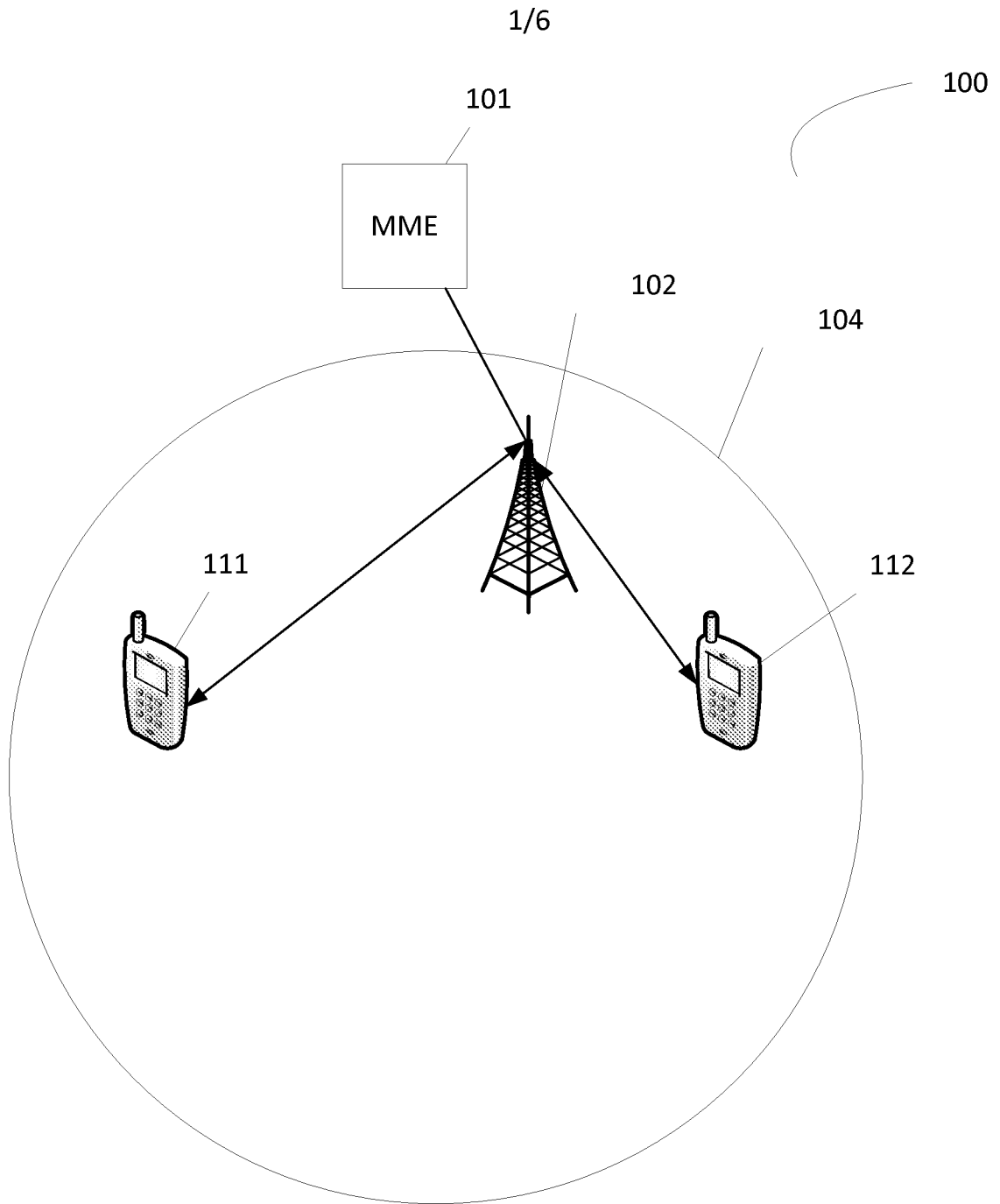


FIG. 1

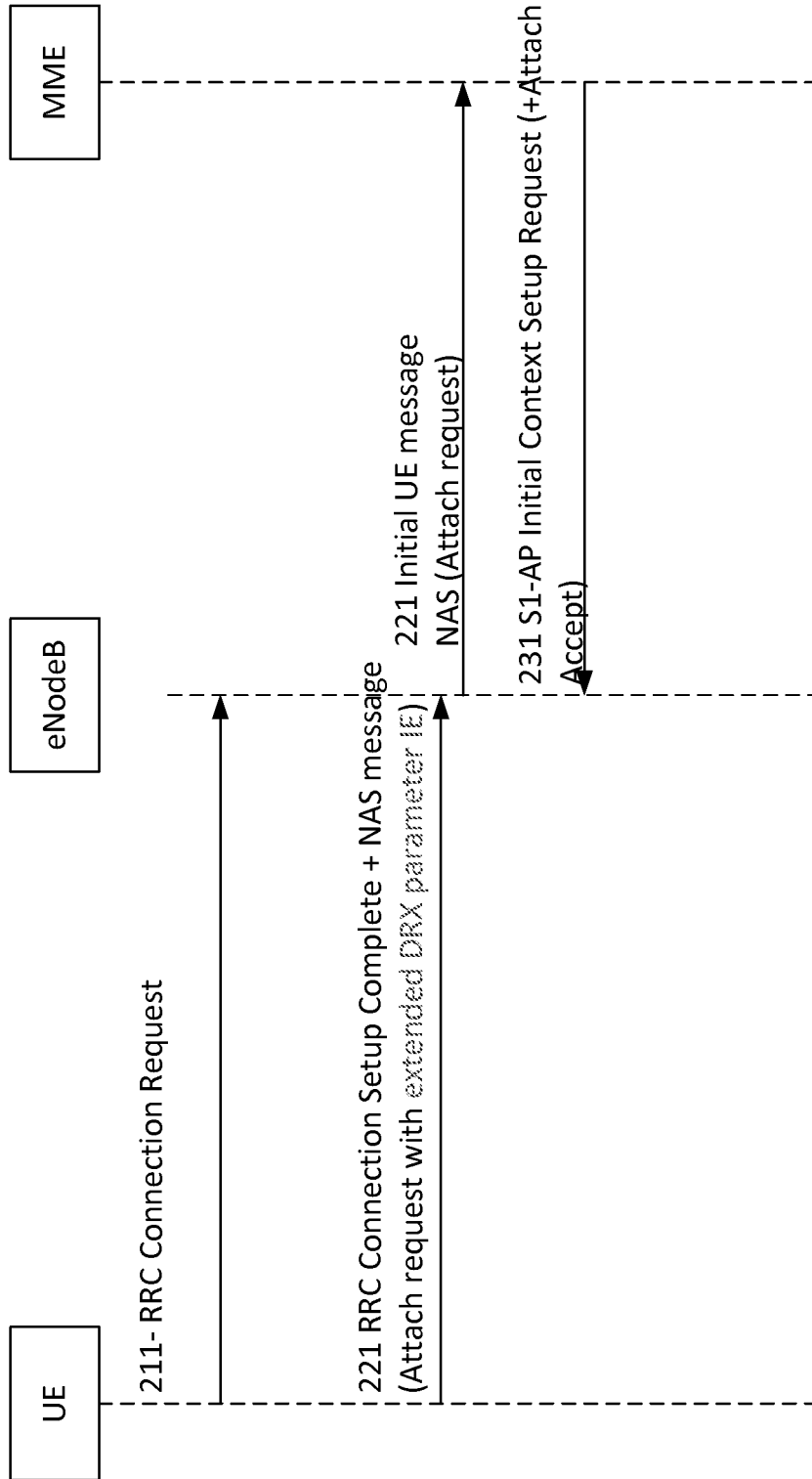


FIG. 2

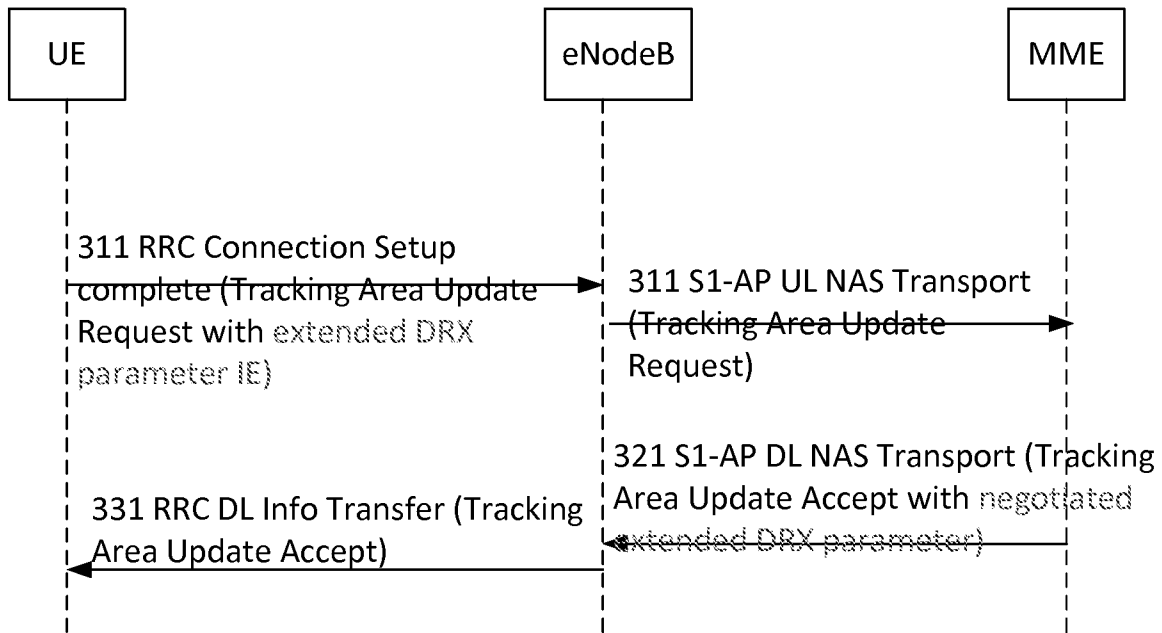


FIG. 3

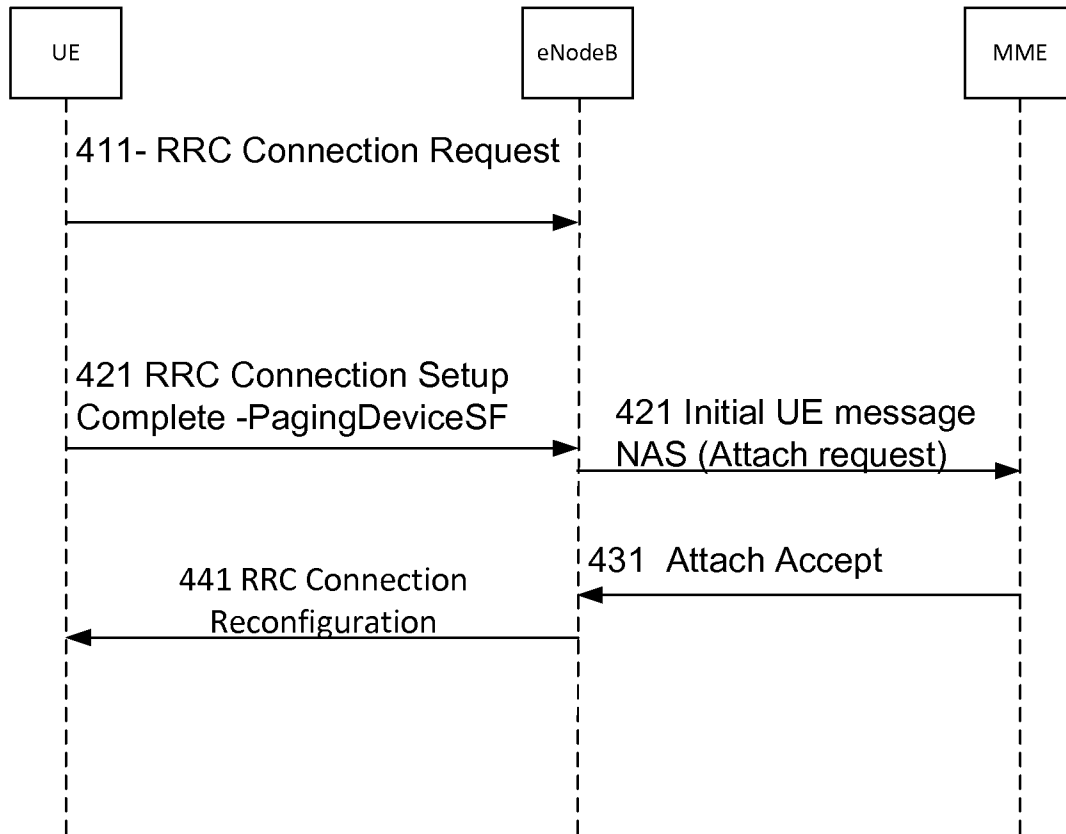


FIG. 4

5/6

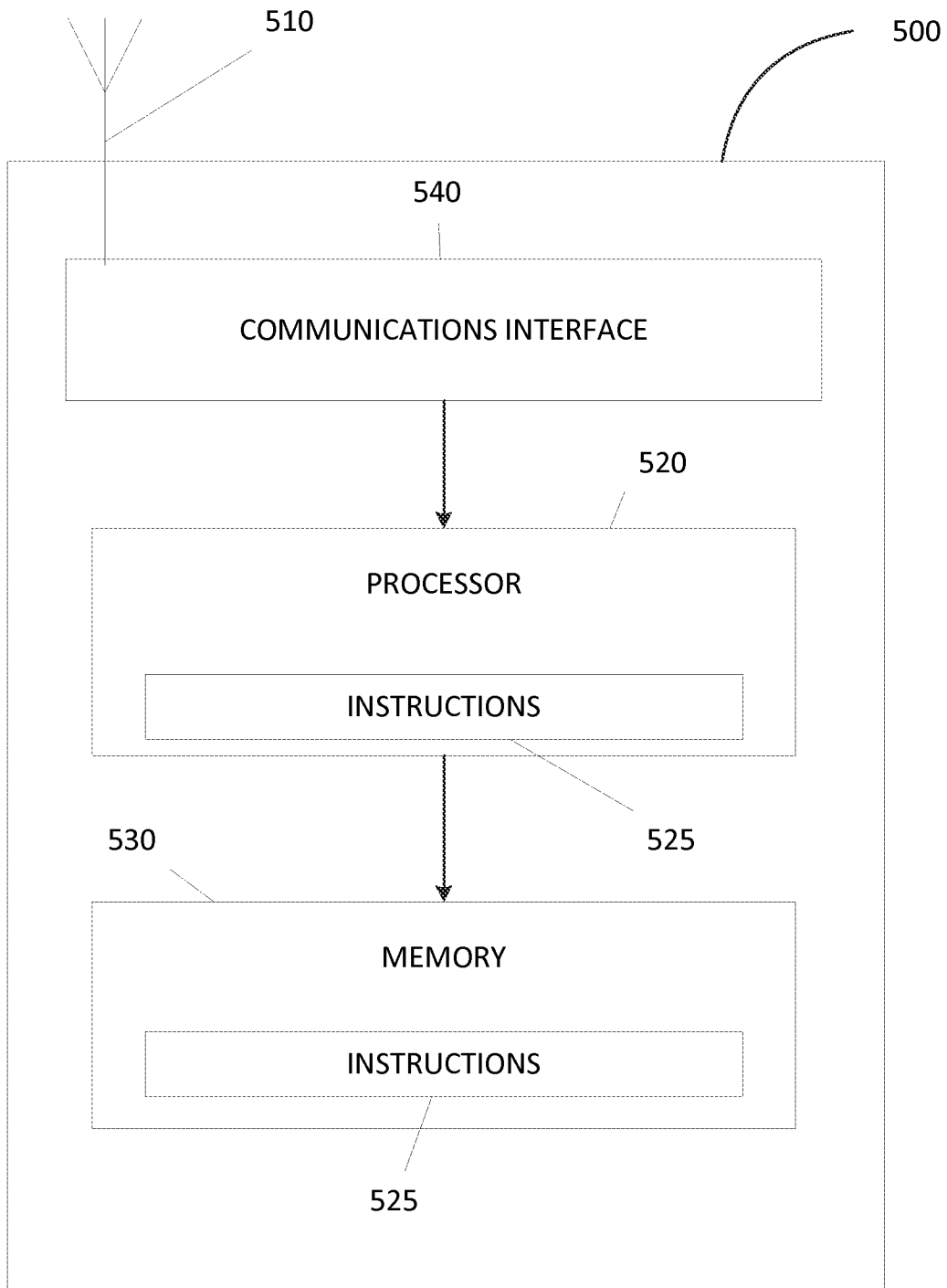


FIG. 5

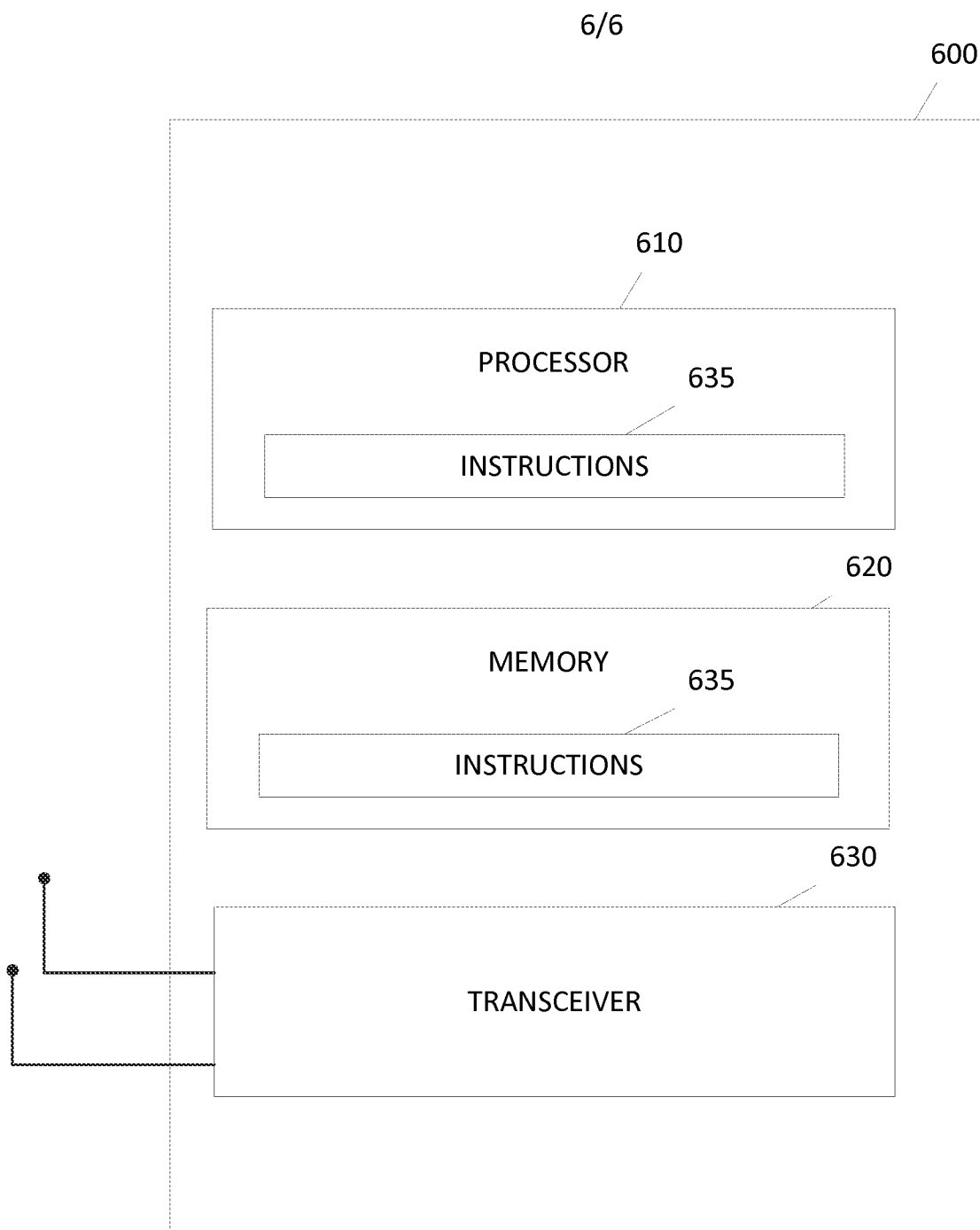


FIG. 6

## INTERNATIONAL SEARCH REPORT

International application No.  
**PCT/US2013/077255****A. CLASSIFICATION OF SUBJECT MATTER****H04W 68/02(2009.01)i, H04W 60/00(2009.01)i**

According to International Patent Classification (IPC) or to both national classification and IPC

**B. FIELDS SEARCHED**Minimum documentation searched (classification system followed by classification symbols)  
H04W 68/02; H04W 76/02; H04W 68/00; H04W 52/02; H04B 7/216; G08C 17/00; H04W 60/00Documentation searched other than minimum documentation to the extent that such documents are included in the fields searched  
Korean utility models and applications for utility models  
Japanese utility models and applications for utility modelsElectronic data base consulted during the international search (name of data base and, where practicable, search terms used)  
eKOMPASS(KIPO internal) & Keywords: discontinuous reception (DRX), paging cycle, non-access stratum (NAS) message, information element (IE)**C. DOCUMENTS CONSIDERED TO BE RELEVANT**

Category*	Citation of document, with indication, where appropriate, of the relevant passages	Relevant to claim No.
Y A	WO 2012-111993 A2 (PANTECH CO., LTD.) 23 August 2012 See paragraphs [0013], [0075], [0076], [0104], [0116]; and figure 17.	8, 9, 12, 13, 19, 20 1-7, 10, 11, 14-18, 21
Y A	US 2009-0040955 A1 (SOO-JUNG JUNG et al.) 12 February 2009 See paragraphs [0026], [0041]; and figure 2.	8, 9, 12, 13, 19, 20 1-7, 10, 11, 14-18, 21
A	US 2010-0130237 A1 (MASATO KITAZOE et al.) 27 May 2010 See paragraphs [0027], [0035], [0036], [0041], [0042], [0050]; claim 9; and figure 3B.	1-21
A	3GPP TS 36.331 V11.3.0, '3GPP; TSGRAN; Evolved Universal Terrestrial Radio Access (E-UTRA); Radio Resource Control (RRC); Protocol specification (Release 11)', 18 March 2013 ( <a href="http://www.3gpp.org/DynaReport/36331.htm">http://www.3gpp.org/DynaReport/36331.htm</a> ) See pages 108, 129; and figure 5.3.3.1-1.	1-21
A	US 2012-0275365 A1 (NICHOLAS WILLIAM ANDERSON et al.) 01 November 2012 See paragraphs [0039], [0044]; and figure 6A.	1-21

 Further documents are listed in the continuation of Box C. See patent family annex.

\* Special categories of cited documents:

"A" document defining the general state of the art which is not considered to be of particular relevance

"E" earlier application or patent but published on or after the international filing date

"L" document which may throw doubts on priority claim(s) or which is cited to establish the publication date of another citation or other special reason (as specified)

"O" document referring to an oral disclosure, use, exhibition or other means

"P" document published prior to the international filing date but later than the priority date claimed

"T" later document published after the international filing date or priority date and not in conflict with the application but cited to understand the principle or theory underlying the invention

"X" document of particular relevance; the claimed invention cannot be considered novel or cannot be considered to involve an inventive step when the document is taken alone

"Y" document of particular relevance; the claimed invention cannot be considered to involve an inventive step when the document is combined with one or more other such documents, such combination being obvious to a person skilled in the art

"&amp;" document member of the same patent family

Date of the actual completion of the international search

18 April 2014 (18.04.2014)

Date of mailing of the international search report

**21 April 2014 (21.04.2014)**

Name and mailing address of the ISA/KR

International Application Division  
Korean Intellectual Property Office  
189 Cheongsu-ro, Seo-gu, Daejeon Metropolitan City, 302-701,  
Republic of Korea

Facsimile No. +82-42-472-7140

Authorized officer

YANG, Jeong Rok

Telephone No. +82-42-481-5709



**INTERNATIONAL SEARCH REPORT**

Information on patent family members

International application No.

**PCT/US2013/077255**

Patent document cited in search report	Publication date	Patent family member(s)	Publication date
WO 2012-111993 A2	23/08/2012	KR 10-2012-0094369 A US 2013-0324141 A1 WO 2012-111993 A3	24/08/2012 05/12/2013 20/12/2012
US 2009-0040955 A1	12/02/2009	KR 10-0648067 B1 US 8050208 B2 WO 2007-066875 A2 WO 2007-066875 A3	23/11/2006 01/11/2011 14/06/2007 07/05/2009
US 2010-0130237 A1	27/05/2010	CN 102217408 A EP 2359652 A2 EP 2359652 B1 EP 2563089 A1 ES 2402758 T3 JP 2012-509649 A KR 10-1272114 B1 KR 10-2011-0086755 A TW 201032646 A WO 2010-059741 A2 WO 2010-059741 A3	12/10/2011 24/08/2011 09/01/2013 27/02/2013 08/05/2013 19/04/2012 10/06/2013 29/07/2011 01/09/2010 27/05/2010 29/07/2010
US 2012-0275365 A1	01/11/2012	EP 2702811 A1 US 2012-0275364 A1 US 2012-0275366 A1 WO 2012-149319 A1 WO 2012-149321 A1 WO 2012-149322 A1	05/03/2014 01/11/2012 01/11/2012 01/11/2012 01/11/2012 01/11/2012