



US00D671676S

(12) **United States Design Patent**
Komarov et al.

(10) **Patent No.:** **US D671,676 S**

(45) **Date of Patent:** **** Nov. 27, 2012**

(54) **FLOATING HOOP LIGHT FIXTURE**

(75) Inventors: **Nikolay Komarov**, Milan (IT); **Sandro Federico Umberto Pizzi**, Milan (IT); **Andrea Putaggio**, Milan (IT); **Sigurdur Thorsteinsson**, Milan (IT); **Federico Casotto**, Bologna (IT); **Huub Ubbens**, Nebian (FR); **Carlo D'Alesio**, Milan (IT); **Piero Santoro**, Milan (IT); **Zoran Jedrejic**, Milan (IT); **Byron E. Trotter**, St. Paul, MN (US); **Matthieu Aquino**, Milan (IT); **Edwin Schaerlaeckens**, Woodbury, MN (US)

(73) Assignee: **3M Innovative Properties Company**, St. Paul, MN (US)

(**) Term: **14 Years**

(21) Appl. No.: **29/375,128**

(22) Filed: **Sep. 17, 2010**

(51) **LOC (9) Cl.** **26-99**

(52) **U.S. Cl.** **D26/124**

(58) **Field of Classification Search** D26/49,
D26/46, 37, 38, 118, 71, 92, 85, 87, 128,
D26/63, 65, 88, 76, 120, 113; 362/346; D16/135,
D16/131

See application file for complete search history.

(56) **References Cited**

U.S. PATENT DOCUMENTS

D87,213	S	*	6/1932	Hoffmann	D26/90
D114,108	S	*	4/1939	Manning	D26/112
2,230,186	A	*	1/1941	Andrews et al.	362/291
2,538,676	A	*	1/1951	Enright	362/352
2,899,543	A	*	8/1959	Rasmussen	362/354
3,833,804	A	*	9/1974	Vesely	362/291
D244,875	S	*	6/1977	Baca	D26/105
4,268,896	A	*	5/1981	Mann	362/311.01
D264,136	S	*	4/1982	Castiglioni	D26/85
4,344,112	A	*	8/1982	Brown	362/96
4,344,115	A	*	8/1982	Pickens et al.	362/216

D370,069	S	*	5/1996	Mier-Langner et al.	D26/63
5,791,774	A	*	8/1998	Briles	362/392
D399,020	S	*	9/1998	Lo	D26/90
D418,624	S	*	1/2000	Vanderbyl	D26/87
6,152,578	A	*	11/2000	Hoffman et al.	362/285
D438,327	S	*	2/2001	Chelf et al.	D26/80
D441,119	S	*	4/2001	Crosby	D26/85
6,343,012	B1	*	1/2002	Rife	361/695
D465,872	S	*	11/2002	Cacaci	D26/90
D469,562	S	*	1/2003	Crasset	D26/90
D473,002	S	*	4/2003	Hoernig	D26/87
6,550,936	B2	*	4/2003	Foley	362/268
D525,739	S	*	7/2006	Wu	D26/93
D548,875	S	*	8/2007	Schieber	D26/93
D556,364	S	*	11/2007	McDowell	D26/118
D557,451	S	*	12/2007	McDowell	D26/118
D566,320	S	*	4/2008	Kim	D26/88
D570,035	S	*	5/2008	Franklin	D26/137
D585,582	S	*	1/2009	Campbell	D26/88
D593,704	S	*	6/2009	Lovegrove	D26/90
D603,552	S	*	11/2009	Kampe	D26/88

(Continued)

Primary Examiner — Kevin Rudzinski

(57) **CLAIM**

The ornamental design for a floating hoop light fixture, as shown and described.

DESCRIPTION

FIG. 1 is a first perspective view of the new design for a floating hoop light fixture;

FIG. 2 is a side elevation view thereof;

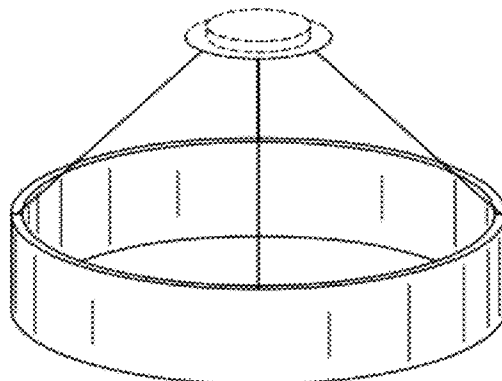
FIG. 3 is a top plan view thereof; and,

FIG. 4 is a bottom plan view thereof.

Broken lines are used to show the mounting structure for mounting the light fixture to a wall or ceiling, which forms no part of the claimed design. In some embodiments, the mounting structures may not be visible, for example they may be mounted behind a wall or ceiling or covered with a film.

Light fixtures may contain lighting within the fixture itself. For example, lights may be placed within the interior of the claimed design.

1 Claim, 2 Drawing Sheets



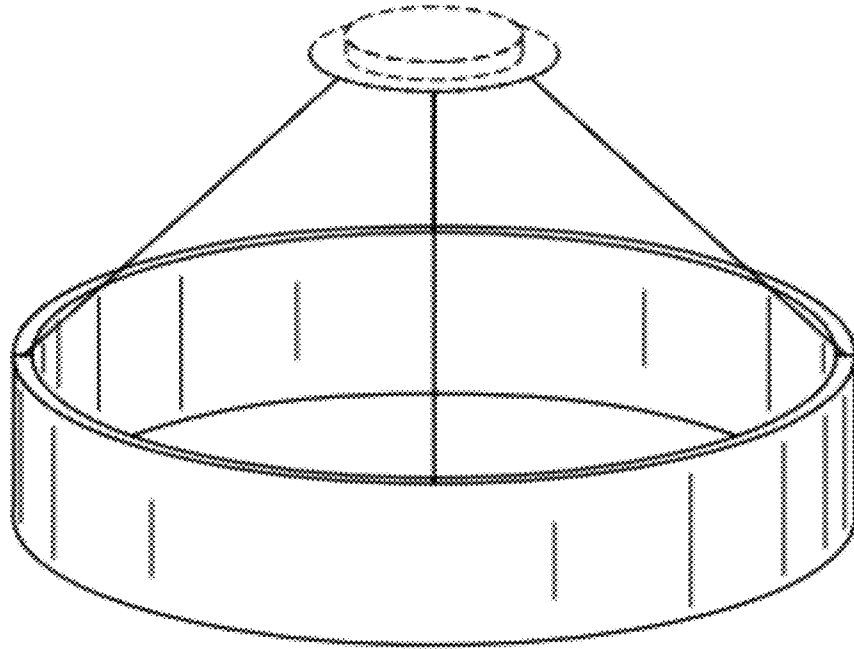


FIG. 1

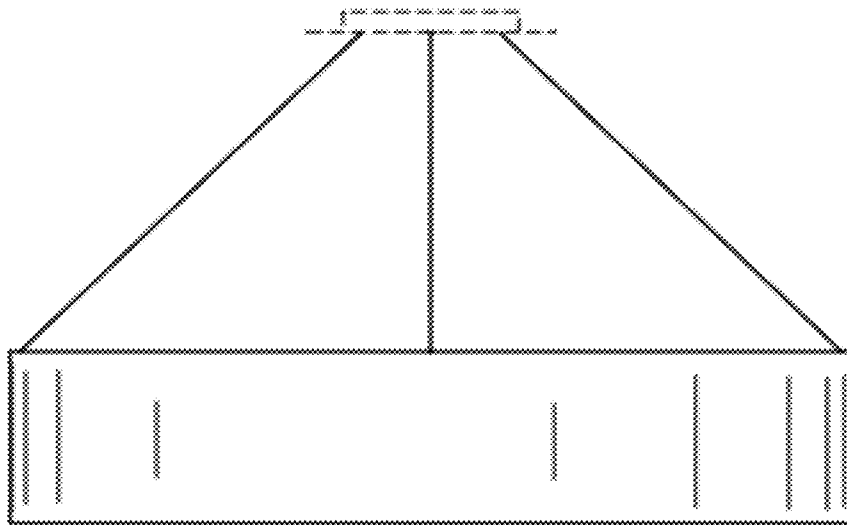


FIG. 2

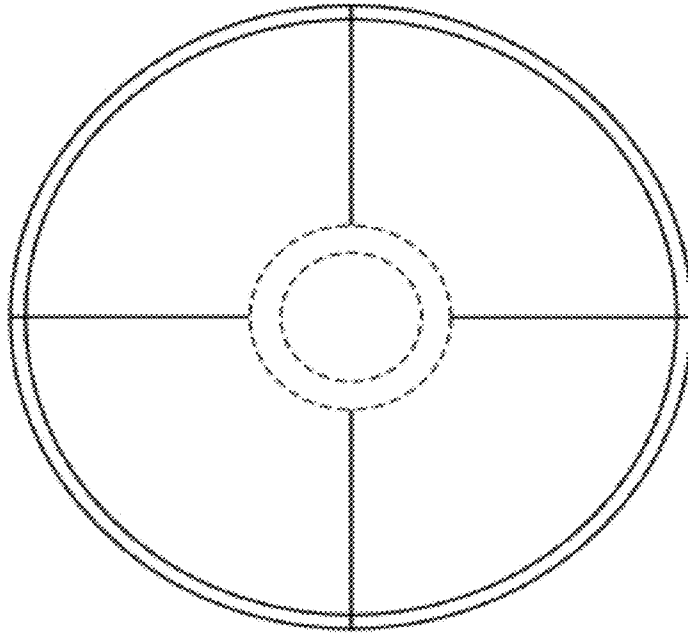


FIG. 3

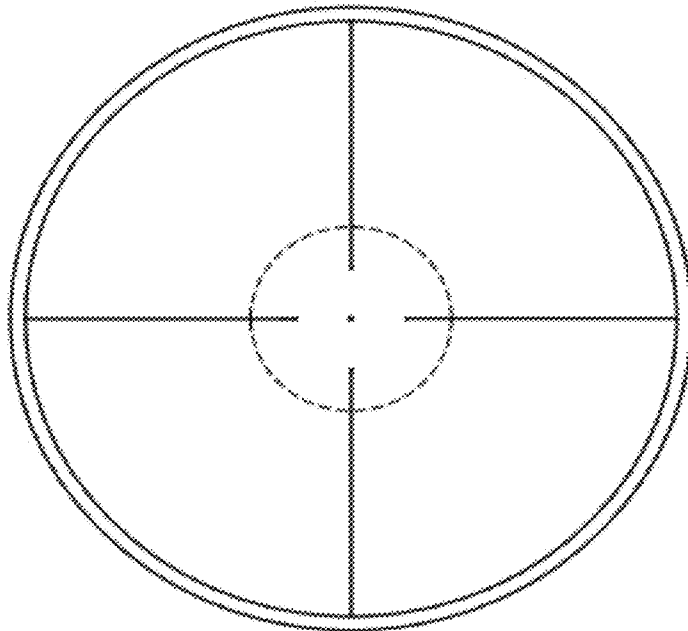


FIG. 4