



US00D952002S

(12) **United States Design Patent**
Adams

(10) **Patent No.:** **US D952,002 S**

(45) **Date of Patent:** **** May 17, 2022**

- (54) **PLOW SHANK ASSEMBLY**
- (71) Applicant: **Seamless AG Works LLC**, Christmas Valley, CA (US)
- (72) Inventor: **Stanley L. Adams**, Christmas Valley, OR (US)
- (73) Assignee: **Seamless AG Works LLC**, Christmas Valley, OR (US)
- (**) Term: **15 Years**
- (21) Appl. No.: **29/813,072**
- (22) Filed: **Oct. 26, 2021**

- 3,627,056 A * 12/1971 Rogers A01B 11/00 74/61
- 3,704,753 A * 12/1972 Hasforth E02F 9/2841 172/753
- 3,752,239 A * 8/1973 Kelley E02F 5/32 172/699
- 3,788,085 A * 1/1974 Holberg E02F 5/104 405/164
- 3,919,951 A * 11/1975 Williams A01C 23/025 111/123
- 3,952,810 A * 4/1976 Ulrich E02F 5/103 280/43.23
- 3,999,315 A * 12/1976 Nye E02F 3/40 37/459

(Continued)

Primary Examiner — Mark A Goodwin
(74) *Attorney, Agent, or Firm* — Baumgartner Patent Law; Marc Baumgartner

Related U.S. Application Data

- (63) Continuation of application No. 16/863,913, filed on Apr. 30, 2020, now abandoned.
- (51) **LOC (13) Cl.** **15-03**
- (52) **U.S. Cl.** **D15/11; D15/21; D15/28**
- (58) **Field of Classification Search**
USPC D15/11, 17, 21, 27, 28, 29
CPC . E21D 9/04; E21D 9/005; E21D 9/06; A01M 13/006; A01M 17/004; E02F 5/02; E02F 5/04; E02F 5/101; E02F 5/106
See application file for complete search history.

(57) **CLAIM**

The ornamental design for a plow shank assembly, as shown and described.

DESCRIPTION

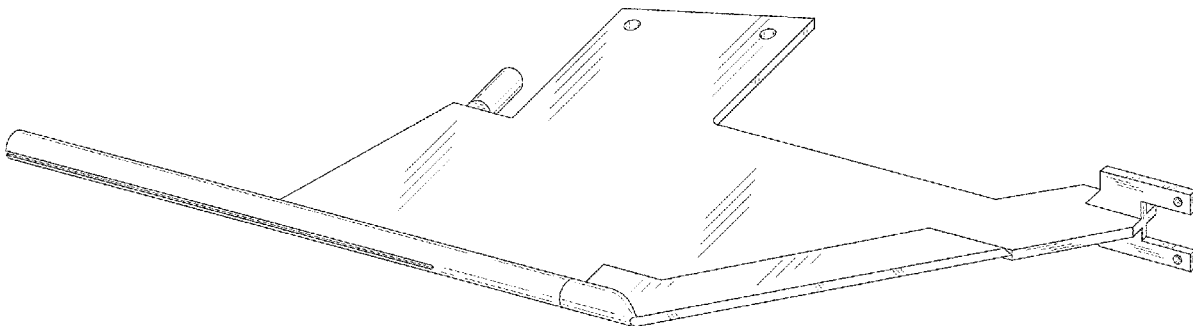
FIG. 1 is a left-side, bottom perspective view of a plow shank assembly embodying my new design;
FIG. 2 is a left-side view of the plow shank assembly of FIG. 1;
FIG. 3 is a right-side view of the plow shank assembly of FIG. 1;
FIG. 4 is a top view of the plow shank assembly of FIG. 1;
FIG. 5 is a bottom view of the plow shank assembly of FIG. 1;
FIG. 6 is a front view of the plow shank assembly of FIG. 1; and,
FIG. 7 is a rear view of the plow shank assembly of FIG. 1.
The broken lines show portions of the plow shank assembly that form no part of the claimed design.

(56) **References Cited**

U.S. PATENT DOCUMENTS

- D27,918 S * 11/1897 Barnard 172/773
- D32,127 S * 1/1900 Ream D15/11
- 2,988,026 A * 6/1961 Heckathorn A01C 23/025 D15/21
- 3,148,642 A * 9/1964 Gould A01C 23/025 111/119
- 3,515,222 A * 6/1970 Kant E02F 5/102 405/181

1 Claim, 4 Drawing Sheets



US D952,002 S

Page 2

(56)

References Cited

U.S. PATENT DOCUMENTS

4,141,301	A *	2/1979	Coldren	A01C 23/025	111/152
4,159,190	A *	6/1979	Duggins	F16L 1/032	405/179
D255,797	S *	7/1980	Ryan	D15/11	172/753
4,333,536	A *	6/1982	Ryan	A01B 61/046	111/119
D274,523	S *	7/1984	Nja	D15/11	111/119
5,271,342	A *	12/1993	Neidhardt	A01C 23/025	E02F 5/104
5,462,389	A *	10/1995	Messina	E02F 5/104	405/164
5,495,814	A *	3/1996	Primus	A01C 23/025	172/732
6,012,534	A *	1/2000	Kovach	A01B 13/08	172/156
6,178,900	B1 *	1/2001	Dietrich, Sr.	A01C 23/025	111/119
D558,237	S *	12/2007	Ryan	D15/29	
8,371,049	B2 *	2/2013	Tajiri	B23D 17/00	30/310
8,567,113	B2 *	10/2013	Pask	A01M 17/004	43/127
8,985,036	B2 *	3/2015	Memory	A01C 5/062	111/175
D763,926	S *	8/2016	Foes	D15/13	
D763,927	S *	8/2016	Foes	D15/13	
10,051,778	B2 *	8/2018	Kile	A01C 23/025	
11,277,958	B1 *	3/2022	Kile	A01C 5/062	
2012/0168186	A1 *	7/2012	Kile	A01B 35/22	172/387
2014/0041263	A1 *	2/2014	Bockman	E02F 9/2045	37/367
2017/0342671	A1 *	11/2017	Hughes, III	E01H 5/06	
2021/0340871	A1 *	11/2021	Adams	E02F 9/205	

* cited by examiner

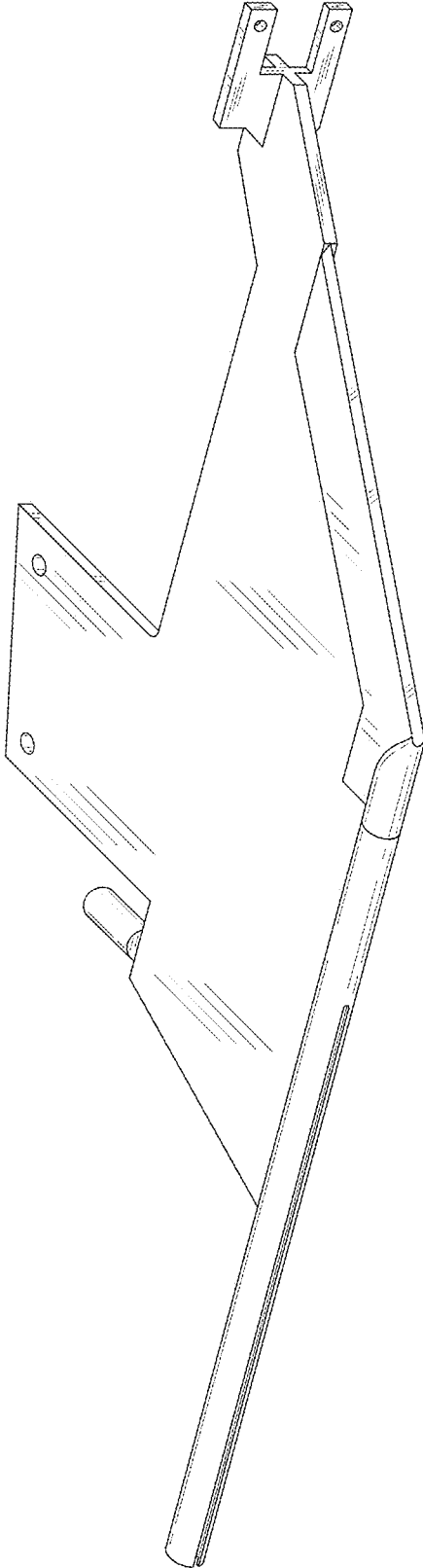
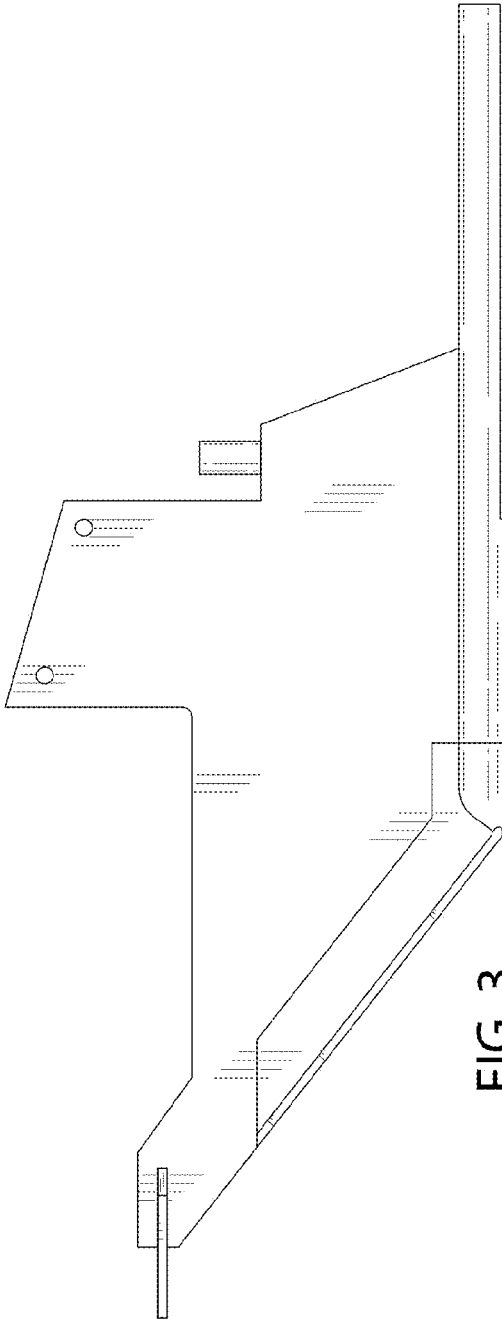
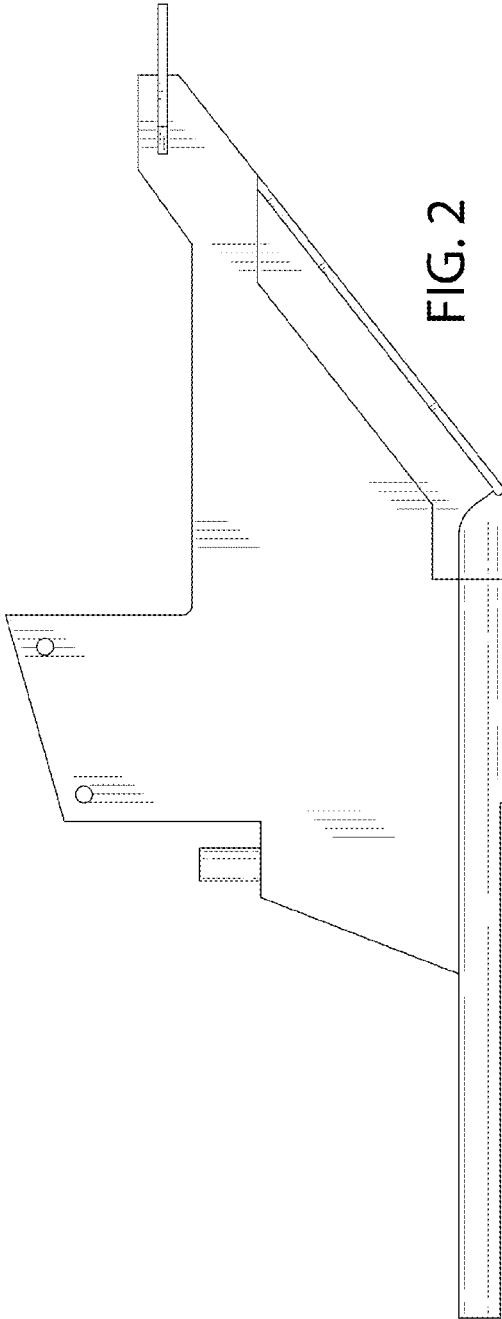


FIG. 1



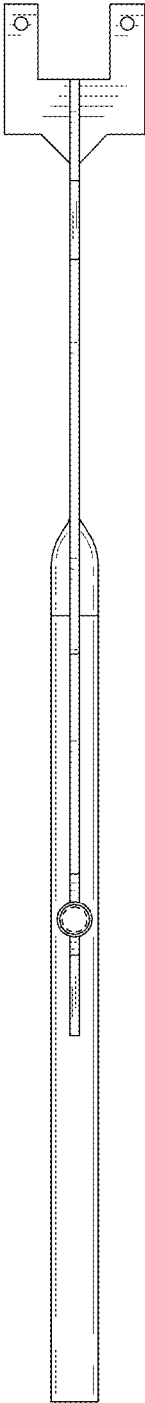


FIG. 4

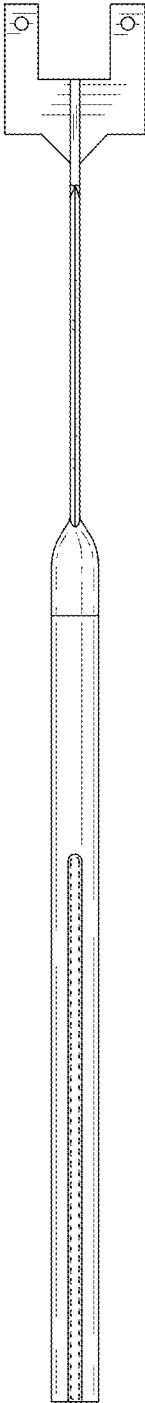


FIG. 5

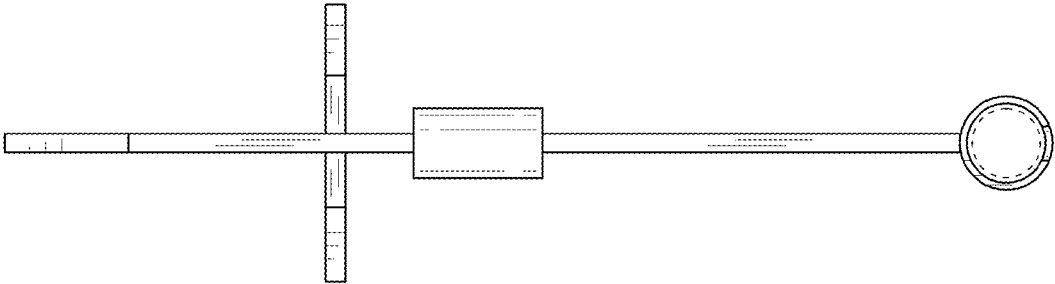


FIG. 7

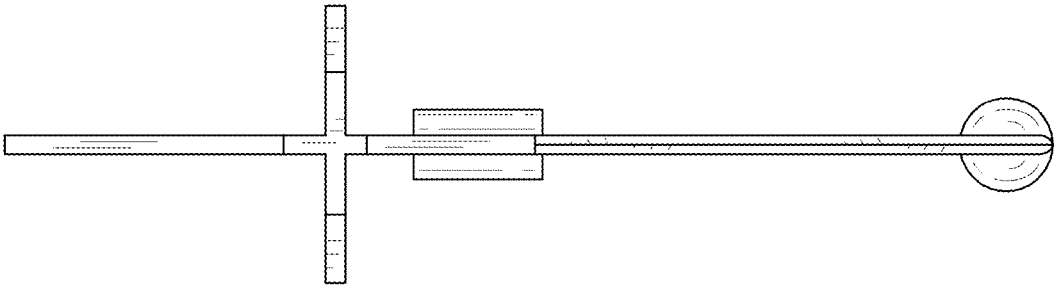


FIG. 6