



- (51) **International Patent Classification:**  
F41H 7/04 (2006.01) F41H 5/02 (2006.01)
- (21) **International Application Number:**  
PCT/US2012/054467
- (22) **International Filing Date:**  
10 September 2012 (10.09.2012)
- (25) **Filing Language:** English
- (26) **Publication Language:** English
- (30) **Priority Data:**  
61/532,645 9 September 2011 (09.09.2011) US
- (71) **Applicant (for all designated States except US):** BAE SYSTEMS LAND & ARMAMENTS L.P. [US/US]; 1205 Coleman Avenue, MD 12B1, Santa Clara, CA 95050 (US).
- (72) **Inventor; and**
- (75) **Inventor/Applicant (for US only):** SHMARGAD, Amikam [—/US]; 378 Menhaden Court, Foster City, CA 94404 (US).
- (74) **Agents:** DICKSON, Thomas, G. et al.; Patterson Thuente Christensen Pedersen, P.A., 4800 IDS Center, 80 South Eighth Street, Minneapolis, MN 55402-2100 (US).
- (81) **Designated States (unless otherwise indicated, for every kind of national protection available):** AE, AG, AL, AM,

AO, AT, AU, AZ, BA, BB, BG, BH, BN, BR, BW, BY, BZ, CA, CH, CL, CN, CO, CR, CU, CZ, DE, DK, DM, DO, DZ, EC, EE, EG, ES, FI, GB, GD, GE, GH, GM, GT, HN, HR, HU, ID, IL, IN, IS, JP, KE, KG, KM, KN, KP, KR, KZ, LA, LC, LK, LR, LS, LT, LU, LY, MA, MD, ME, MG, MK, MN, MW, MX, MY, MZ, NA, NG, NI, NO, NZ, OM, PA, PE, PG, PH, PL, PT, QA, RO, RS, RU, RW, SC, SD, SE, SG, SK, SL, SM, ST, SV, SY, TH, TJ, TM, TN, TR, TT, TZ, UA, UG, US, UZ, VC, VN, ZA, ZM, ZW.

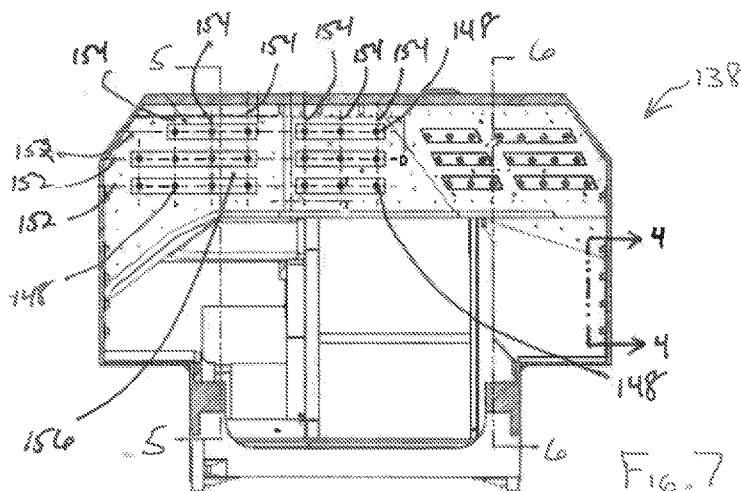
- (84) **Designated States (unless otherwise indicated, for every kind of regional protection available):** ARIPO (BW, GH, GM, KE, LR, LS, MW, MZ, NA, RW, SD, SL, SZ, TZ, UG, ZM, ZW), Eurasian (AM, AZ, BY, KG, KZ, RU, TJ, TM), European (AL, AT, BE, BG, CH, CY, CZ, DE, DK, EE, ES, FI, FR, GB, GR, HR, HU, IE, IS, IT, LT, LU, LV, MC, MK, MT, NL, NO, PL, PT, RO, RS, SE, SI, SK, SM, TR), OAPI (BF, BJ, CF, CG, CI, CM, GA, GN, GQ, GW, ML, MR, NE, SN, TD, TG).

**Published:**

— with international search report (Art. 21(3))

- (88) **Date of publication of the international search report:**  
15 August 2013

(54) **Title:** COMMON MOUNTING PROVISIONS FOR AN ARMORED VEHICLE



(57) **Abstract:** Apparatus and related methods of utilizing a common mounting provision within an armored vehicle. The common mounting provision includes a plurality of common mounting bosses that are arranged in a grid type pattern formed by attaching a plurality of mounting bars to an interior wall of an armored hull with each mounting bar including at least one of the common mounting bosses. The grid type pattern provides for a common spatial distance between adjacent apertures in rows and columns. When engineering changes are needed, the grid type pattern provides the engineer with known mounting bosses having a known spacing allowing the engineer to readily design the component to attach to the common mounting provision. By knowing the size and location of each mounting boss, the engineer will spend less time designing and fitting new components and will avoid having to continually update drawings to illustrate new mounting provisions.

WO 2013/077927 A3

**A. CLASSIFICATION OF SUBJECT MATTER****F41H 7/04(2006.01)i, F41H 5/02(2006.01)i**

According to International Patent Classification (IPC) or to both national classification and IPC

**B. FIELDS SEARCHED**

Minimum documentation searched (classification system followed by classification symbols)

F41H 7/04, F41H 5/02

Documentation searched other than minimum documentation to the extent that such documents are included in the fields searched

Korean utility models and applications for utility models

Japanese utility models and applications for utility models

Electronic data base consulted during the international search (name of data base and, where practicable, search terms used)

eKOMPASS(KIPO internal) &amp; keywords: armored vehicle, mounting boss, interior wall, disantce and grid pattern

**C. DOCUMENTS CONSIDERED TO BE RELEVANT**

Category*	Citation of document, with indication, where appropriate, of the relevant passages	Relevant to claim No.
X	US 6962102 B1 (JOHNSTON et al.) 08 November 2005 See abstract; column 4, line 15 - column 6, line 19 and figures 1-3.	1-21
A	US 2011-0072960 A1 (HALLISSY et al.) 31 March 2011 See abstract; paragraphs 41-55 and figures 1-5.	1-21
A	US 7882776 B2 (MEDWELL et al.) 08 February 2011 See abstract; column 1, line 50 - column 2, line 54 and figures 1-2B.	1-21
A	US 4716810 A (DEGUVERA, EMMETT W.) 05 January 1988 See abstract; column 2, line 63 - column 3, line 57 and figures 1-6.	1-21
A	US 5033357 A (SEKSARIA et al.) 23 July 1991 See abstract; column 4, line 21 - column 3, line 52 and figures 1-2.	1-21

 Further documents are listed in the continuation of Box C. See patent family annex.

\* Special categories of cited documents:

"A" document defining the general state of the art which is not considered to be of particular relevance

"E" earlier application or patent but published on or after the international filing date

"L" document which may throw doubts on priority claim(s) or which is cited to establish the publication date of citation or other special reason (as specified)

"O" document referring to an oral disclosure, use, exhibition or other means

"P" document published prior to the international filing date but later than the priority date claimed

"T" later document published after the international filing date or priority date and not in conflict with the application but cited to understand the principle or theory underlying the invention

"X" document of particular relevance; the claimed invention cannot be considered novel or cannot be considered to involve an inventive step when the document is taken alone

"Y" document of particular relevance; the claimed invention cannot be considered to involve an inventive step when the document is combined with one or more other such documents, such combination being obvious to a person skilled in the art

"&amp;" document member of the same patent family


Date of the actual completion of the international search

27 May 2013 (27.05.2013)

Date of mailing of the international search report

**29 May 2013 (29.05.2013)**

Name and mailing address of the ISA/KR


 Korean Intellectual Property Office  
 189 Cheongsa-ro, Seo-gu, Daejeon Metropolitan City,  
 302-701, Republic of Korea

Facsimile No. 82-42-472-7140

Authorized officer

AHN, Jae Yul

Telephone No. 82-42-481-8525



**INTERNATIONAL SEARCH REPORT**

Information on patent family members

International application No.

**PCT/US2012/054467**

Patent document cited in search report	Publication date	Patent family member(s)	Publication date
US 6962102 B1	08.11.2005	FR 2859780 A11 GB 2375587 A GB 2375587 B GB 9025120 D0 IT RM920602 A1 IT RM920602 D0	18.03.2005 20.11.2002 05.03.2003 03.04.1991 10.11.1992 11.08.1992
US 2011-0072960 A1	31.03.2011	US 7926407 B1	19.04.2011
US 7882776 B2	08.02.2011	GB 0707752 D0 GB 2448477 A US 2008-0257141 A1 US 8340217 B1	30.05.2007 22.10.2008 23.10.2008 25.12.2012
US 04716810 A	05.01.1988	None	
US 05033357 A	23.07.1991	US 04905569 A US 05033357 A	06.03.1990 23.07.1991